



Bergh Special Products B.V.

T. 0031 314 359490

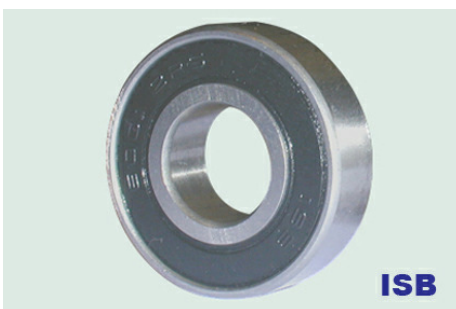
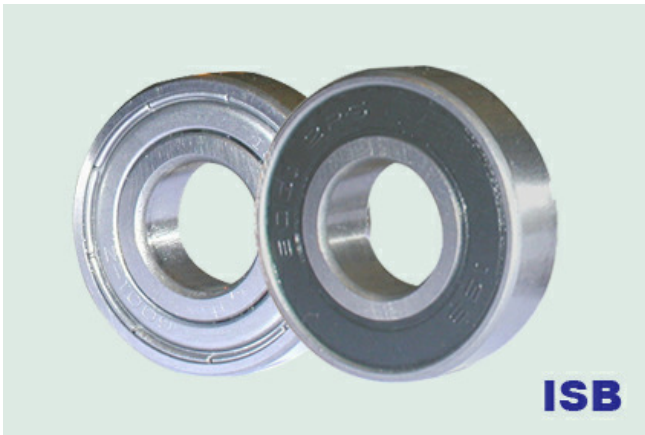
F. 0031 314 359240

info@berghspecialproducts.nl

www.rolstoelonderdelen.nl

8.100 Lagers

8.111 Kogellagers ISB



ISB - Type RS

| | | |
|-----------------|--|------------|
| KOG.0607.2RS000 | ISB kogellager, type 607 2RS, afm. d.D.B = Ø7 - Ø19 - 6 mm | 1,28 (2) |
| KOG.0608.2RS000 | ISB kogellager, type 608 2RS, afm. d.D.B = Ø8 - Ø22 - 7 mm | 1,04 (2) |
| KOG.0626.2RS000 | ISB kogellager, type 626 2RS, afm. d.D.B = Ø6 - Ø19 - 6 mm | 1,48 (2) |
| KOG.0628.2RS000 | ISB kogellager, type 628 2RS, afm. d.D.B = Ø8 - Ø24 - 8 mm | 2,76 (2) |
| KOG.6000.2RS000 | ISB kogellager, type 6000 2RS, afm. d.D.B = Ø10 - Ø26 - 8 mm | 1,36 (2) |
| KOG.6001.1RS000 | ISB kogellager, type 6001 RS, afm. d.D.B = Ø12 - Ø28 - 8 mm | 1,49 (2) |
| KOG.6001.2RS000 | ISB kogellager, type 6001 2RS, afm. d.D.B = Ø12 - Ø28 - 8 mm | 2,32 (2) |
| KOG.6030.000000 | ISB kogellager, type 6030 (open), afm. d.D.B = Ø150 - Ø225 - 35 mm | 199,37 (2) |
| KOG.6002.1RS000 | ISB kogellager, type 6002 RS, afm. d.D.B = Ø15 - Ø32 - 9 mm | 1,82 (2) |
| KOG.6002.2RS000 | ISB kogellager, type 6002 2RS, afm. d.D.B = Ø15 - Ø32 - 9 mm | 2,27 (2) |
| KOG.6002.2RS008 | Kogellager, type 6002 2RS, afm. d.D.B = Ø15 - Ø32 - 9 mm | 0,70 (2) |
| KOG.6003.2RS000 | ISB kogellager, type 6003 2RS, afm. d.D.B = Ø17 - Ø35 - 10 mm | 2,51 (2) |
| KOG.6004.2RS000 | ISB kogellager, type 6004 2RS, afm. d.D.B = Ø20 - Ø42 - 12 mm | 3,45 (2) |
| KOG.6005.2RS000 | ISB kogellager, type 6005 2RS, afm. d.D.B = Ø25 - Ø47 - 12 mm | 4,15 (2) |



Bergh Special Products B.V.

T. 0031 314 359490

F. 0031 314 359240

info@berghspecialproducts.nl

www.rolstoelonderdelen.nl

| | | |
|------------------|--|-----------|
| KOG.6006.2RS000 | ISB kogellager, type 6006 2RS, afm. d.D.B = Ø30 - Ø55 - 13 mm | 3,64 (2) |
| KOG.6007.2RS000 | ISB kogellager, type 6007 2RS, afm. d.D.B = Ø35 - Ø62 - 14 mm | 4,97 (2) |
| KOG.6008.2RS000 | ISB kogellager, type 6008 2RS, afm. d.D.B = Ø40 - Ø68 - 15 mm | 6,39 (2) |
| KOG.6009.2RS000 | ISB kogellager, type 6009 2RS, afm. d.D.B = Ø45 - Ø75 - 16 mm | 9,66 (2) |
| KOG.6010.2RS000 | ISB kogellager, type 6010 2RS, afm. d.D.B = Ø50 - Ø80 - 16 mm | 9,43 (2) |
| KOG.6012.2RS000 | ISB kogellager, type 6012 2RS, afm. d.D.B = Ø60 - Ø95 - 18 mm | 16,99 (2) |
| KOG.6200.2RS000 | ISB kogellager, type 6200 2RS, afm. d.D.B = Ø10 - Ø33 - 9 mm | 2,23 (2) |
| KOG.6201.2RS000 | ISB kogellager, type 6201 2RS, afm. d.D.B = Ø12 - Ø32 - 10 mm | 1,84 (2) |
| KOG.6207.2RS000 | ISB kogellager, type 6207 2RS, afm. d.D.B = Ø35 - Ø72 - 17 mm | 9,41 (2) |
| KOG.6202.2RS000 | ISB kogellager, type 6202 2RS, afm. d.D.B = Ø15 - Ø35 - 11 mm | 2,48 (2) |
| KOG.6203.2RS000 | ISB kogellager, type 6203 2RS, afm. d.D.B = Ø17 - Ø40 - 12 mm | 2,76 (2) |
| KOG.6204.2RS000 | ISB kogellager, type 6204 2RS, afm. d.D.B = Ø20 - Ø47 - 14 mm | 4,08 (2) |
| KOG.6206.2RS000 | ISB kogellager, type 6206 2RS, afm. d.D.B = Ø30 - Ø62 - 16 mm | 4,80 (2) |
| KOG.6208.2RS000 | ISB kogellager, type 6208 2RS, afm. d.D.B = Ø40 - Ø80 - 18 mm | 9,31 (2) |
| KOG.6212.2RS000 | ISB kogellager, type 6212 2RS, afm. d.D.B = Ø60 - Ø110 - 22 mm | 19,16 (2) |
| KOG.62200.2RS000 | ISB kogellager, type 62200 2RS, large, afm. d.D.B = Ø10 - Ø30 - 14 mm | 3,63 (2) |
| KOG.6300.2RS000 | ISB kogellager, type 6300 2RS, afm. d.D.B = Ø10 - Ø35 - 11 mm | 2,48 (2) |
| KOG.6301.2RS.00 | ISB kogellager, type 6301 2RS, afm. d.D.B = Ø12 - Ø37 - 12 mm | 2,42 (2) |
| KOG.6302.2RS.00 | ISB kogellager, type 6302 2RS, afm. d.D.B = Ø15 - Ø42 - 13 mm | 3,02 (2) |
| KOG.6304.2RS.00 | ISB kogellager, type 6304 2RS, afm. d.D.B = Ø20 - Ø52 - 15 mm | 4,88 (2) |
| KOG.6307.2RS000 | ISB kogellager, type 6307 2RS, afm. d.D.B = Ø35 - Ø80 - 21 mm | 8,94 (2) |
| KOG.61800.2RS000 | ISB kogellager, type 61800 2RS (6800 2RS), afm. d.D.B = Ø10 - Ø19 - 5 mm | 2,67 (2) |
| KOG.61906.2RS000 | ISB kogellager, type 61906 2RS, afm. d.D.B = Ø30 - Ø47 - 9 mm, single | 8,34 (2) |
| KOG.61801.2RS000 | ISB kogellager, type 61801 2RS, afm. d.D.B = Ø12 - Ø21 - 5 mm | 3,85 (2) |
| KOG.61801.2RSSS0 | ISB kogellager, type 61801 2RS, afm. d.D.B = Ø12 - Ø21 - 5 mm, RVS | 4,89 (2) |
| KOG.61802.2RS000 | ISB kogellager, type 61802 2RS, afm. d.D.B = Ø15 - Ø24 - 5 mm | 4,07 (2) |
| KOG.61804.2RS000 | ISB kogellager, type 61804 2RS, afm. d.D.B = Ø20 - Ø32 - 7 mm | 4,98 (2) |
| KOG.61805.2RS000 | ISB kogellager, type 61805 2RS, afm. d.D.B = Ø25 - Ø37 - 7 mm | 4,79 (2) |
| KOG.61806.2RS000 | ISB kogellager, type 61805 2RS, afm. d.D.B = Ø30 - Ø42 - 7 mm | 5,89 (2) |
| KOG.61807.2RS000 | ISB kogellager, type 61807 2RS, afm. d.D.B = Ø35 - Ø47 - 7 mm | 7,65 (2) |
| KOG.6803.2RS000 | ISB kogellager, type 6803 2RS, afm. d.D.B = Ø17 - Ø26 - 5 mm | 2,65 (2) |
| KOG.61900.2RS.00 | ISB kogellager, type 61900 2RS (6900 2RS), afm. d.D.B = Ø10 - Ø22 - 6 mm | 3,33 (2) |
| KOG.61901.2RS000 | ISB kogellager, type 61901 2RS, afm. d.D.B = Ø12 - Ø24 - 6 mm | 3,71 (2) |
| KOG.61902.2RS000 | ISB kogellager, type 61902 2RS (6902 2RS), afm. d.D.B = Ø15 - Ø28 - 7 mm | 3,28 (2) |
| KOG.61903.2RS000 | ISB kogellager, type 61903 2RS, afm. d.D.B = Ø17 - Ø30 - 7 mm | 4,23 (2) |
| KOG.61905.2RS000 | ISB kogellager, type 61905 2RS, afm. d.D.B = Ø25 - Ø42 - 9 mm | 6,64 (2) |



ISB - Type ZZ

| | | |
|------------------|---|-----------|
| KOG.0608.ZZ000 | ISB kogellager, type 608 ZZ, afm. d.D.B = Ø8 - Ø22 - 7 mm | 1,20 (2) |
| KOG.0609.ZZ000 | ISB kogellager, type 609 ZZ, afm. d.D.B = Ø9 - Ø24 - 7 mm | 1,46 (2) |
| KOG.0623.ZZ000 | ISB kogellager, type 623 ZZ, afm. d.D.B = Ø3 - Ø10 - 4 mm | 7,88 (2) |
| KOG.0623.ZZ006 | ISB kogellager, type 623 ZZ, afm. d.D.B = Ø3 - Ø10 - 4 mm | 9,19 (2) |
| KOG.0625.ZZ000 | ISB kogellager, type 625 ZZ, afm. d.D.B = Ø5 - Ø16 - 5 mm | 1,27 (2) |
| KOG.0626.ZZ000 | ISB kogellager, type 626 ZZ, afm. d.D.B = Ø6 - Ø19 - 6 mm | 1,46 (2) |
| KOG.0628.ZZ000 | ISB kogellager, type 628 ZZ, afm. d.D.B = Ø9 - Ø26 - 8 mm | 1,32 (2) |
| KOG.0629.ZZ000 | ISB kogellager, type 629 ZZ, afm. d.D.B = Ø9 - Ø26 - 8 mm | 2,10 (2) |
| KOG.06/390.ZZ005 | Kogellager, type 6/390 ZZ, afm. d.D.B = Ø4 - Ø9 - 4 mm | 24,31 (2) |
| KOG.06/390.ZZ006 | Kogellager, type 6/390 ZZ, afm. d.D.B = Ø4 - Ø9 - 4 mm | 9,56 (2) |
| KOG.06/480.ZZ005 | Kogellager, type 6/480 ZZ, afm. d.D.B = Ø4 - Ø8 - 3 mm | 24,31 (2) |

**Bergh Special Products B.V.**

T. 0031 314 359490

F. 0031 314 359240

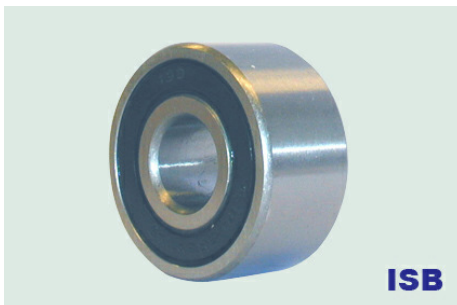
info@berghspecialproducts.nl

www.rolstoelonderdelen.nl

| | | |
|------------------|---|----------|
| KOG.06/480.ZZ006 | Kogellager, type 6/480 ZZ, afm. d.D.B = Ø4 - Ø8 - 3 mm | 9,19 (2) |
| KOG.0616/6.ZZ000 | ISB kogellager, type 616/6 ZZ, afm. d.D.B = Ø6 - Ø15 - 5 mm | 1,93 (2) |
| KOG.0698.2Z.000 | ISB kogellager, type 698 ZZ (6198 ZZ), afm. d.D.B = Ø8 - Ø19 - 6 mm | 4,01 (2) |
| KOG.6000.1ZZ000 | ISB kogellager, type 6000 Z, afm. d.D.B = Ø10 - Ø26 - 8 mm | 1,32 (2) |
| KOG.6000.ZZ000 | ISB kogellager, type 6000 ZZ, afm. d.D.B = Ø10 - Ø26 - 8 mm | 1,32 (2) |
| KOG.6001.1Z000 | ISB kogellager, type 6001 Z, afm. d.D.B = Ø12 - Ø28 - 8 mm | 1,44 (2) |
| KOG.6001.ZZ000 | ISB kogellager, type 6001 ZZ, afm. d.D.B = Ø12 - Ø28 - 8 mm | 1,81 (2) |
| KOG.6002.ZZ000 | ISB kogellager, type 6002 ZZ, afm. d.D.B = Ø15 - Ø32 - 9 mm | 2,18 (2) |
| KOG.6003.ZZ000 | ISB kogellager, type 6003 ZZ, afm. d.D.B = Ø17 - Ø35 - 10 mm | 2,04 (2) |
| KOG.6004.2Z.000 | ISB kogellager, type 6004 ZZ, afm. d.D.B = Ø20 - Ø42 - 12 mm | 2,15 (2) |
| KOG.6200.ZZ000 | ISB kogellager, type 6200 ZZ, afm. d.D.B = Ø10 - Ø30 - 9 mm | 2,23 (2) |
| KOG.6201.1Z000 | ISB kogellager, type 6201 Z, afm. d.D.B = Ø12 - Ø32 - 10 mm | 1,66 (2) |
| KOG.6201.ZZ000 | ISB kogellager, type 6201 ZZ, afm. d.D.B = Ø12 - Ø32 - 10 mm | 2,13 (2) |
| KOG.6202.ZZ000 | ISB kogellager, type 6202 ZZ, afm. d.D.B = Ø15 - Ø35 - 11 mm | 2,21 (2) |
| KOG.6205.ZZ000 | ISB kogellager, type 6205 ZZ, afm. d.D.B = Ø25 - Ø52 - 15 mm | 1,70 (2) |
| KOG.6203.ZZ000 | ISB kogellager, type 6203 ZZ, afm. d.D.B = Ø17 - Ø40 - 12 mm | 3,30 (2) |
| KOG.6301.ZZ.00 | ISB kogellager, type 6301 ZZ, afm. d.D.B = Ø12 - Ø37 - 12 mm | 2,54 (2) |
| KOG.6302.ZZ.00 | ISB kogellager, type 6302 ZZ, afm. d.D.B = Ø15 - Ø42 - 13 mm | 2,87 (2) |
| KOG.6307.ZZ000 | ISB kogellager, type 6307 ZZ, afm. d.D.B = Ø35 - Ø80 - 21 mm | 8,49 (2) |
| KOG.61805.ZZ0000 | ISB kogellager, type 61805 ZZ, afm. d.D.B = Ø25 - Ø37 - 7 mm | 5,81 (2) |
| KOG.61805.ZZ0006 | Top-Quality kogellager, type 61805 ZZ, afm. d.D.B = Ø25 - Ø37 - 7 mm | 9,50 (2) |
| KOG.0628/6.ZZ000 | ISB kogellager, type 628/8 ZZ (ZZ), afm. d.D.B = Ø 6 - Ø13 - 5 mm, single | 1,64 (2) |
| KOG.0628/8.ZZ000 | ISB kogellager, type 628/8 ZZ, afm. d.D.B = Ø 8 - Ø16 - 5 mm, single | 1,87 (2) |


8.112 Kegellagers ISB

| | | |
|---------------|---|-----------|
| KOG.30203.000 | ISB kegellager type 30203, afm. d.D.B = Ø17 - Ø40 - 12 mm | 59,17 (2) |
| KOG.30302.000 | ISB kegellager type 30302, afm. d.D.B = Ø15 - Ø42 - 13 mm | 9,21 (2) |
| KOG.30304.000 | ISB kegellager type 30304, afm. d.D.B = Ø20 - Ø52 - 15 mm | 9,21 (2) |

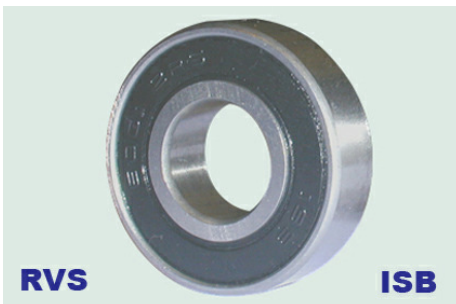

8.113 Zelfinstellende kogellagers ISB

| | | |
|------------------|--|-----------|
| KOG.0126.00.000 | ISB kogellager, type 126, tweerijig zelfinstellend, afm. d.D.B = Ø6 - Ø19 - 6 mm | 3,95 (2) |
| KOG.3201.2RS.00 | ISB kogellager, type 3201 2RS, tweerijig zelfinstellend, afm. d.D.B = Ø12 - 32 - 15,9 mm | 15,65 (2) |
| KOG.3202.2RS.00 | ISB kogellager, type 3202 2RS, tweerijig zelfinstellend, afm. d.D.B = Ø15 - 35 - 15,9 mm | 10,87 (2) |
| KOG.3202.2RS.02 | FAG kogellager, type 3202 2RS, tweerijig zelfinstellend, afm. d.D.B = Ø15 - 35 - 15,9 mm | 65,42 (2) |
| KOG.7304B.2RS.02 | FAG kogellager, type 7304-B-2RS-TVP, zelfinstellend, afm. d.D.B = Ø20 - Ø52 - 15 mm | 30,10 (2) |
| KOG.3204.2RS.00 | ISB kogellager, type 3204 2RS ATN9, tweerijig zelfinstellend, afm. d.D.B = Ø20 - Ø47 - 20,6 mm | 14,54 (2) |
| KOG.3204.ZZ.000 | ISB kogellager, type 3204 ZZ ATN9, tweerijig zelfinstellend, afm. d.D.B = Ø20 - Ø47 - 20,6 mm | 13,93 (2) |
| KOG.3205.ZZ.002 | Fag kogellager, type 3205 ZZ, tweerijig zelfinstellend, afm. d.D.B = Ø25 - Ø52 - 20,6 mm | 64,16 (2) |


8.114 Kogeltaats/druklagers ISB

| | | |
|------------------|--|-----------|
| KOG.51103.J9.000 | ISB kogeltaats/druklager, type 51103 J9, afm. d.D.B = Ø17 - Ø30 - 9 mm, single | 2,32 (2) |
| KOG.51103.J9.SS0 | ISB kogeltaats/druklager, type 51103 SS J9, afm. d.D.B = Ø17 - Ø30 - 9 mm, RVS, single | 46,20 (2) |
| KOG.51104.J9.000 | ISB kogeltaats/druklager, type 51104 J9, afm. d.D.B = Ø20 - Ø35 - 10 mm, single | 3,36 (2) |
| KOG.51205.J9.SS0 | ISB kogeltaats/druklager, type 51205 J9, afm. d.D.B = Ø25 - Ø47 - 15 mm, RVS, single | 72,40 (2) |
| KOG.51201.J9.000 | ISB kogeltaats/druklager, type 51201 J9, afm. d.D.B = Ø12 - Ø28 - 11 mm, single | 4,39 (2) |
| KOG.51208.J9.000 | ISB kogeltaats/druklager, type 51208 J9, afm. d.D.B = Ø40 - Ø68 - 19 mm, single | 16,87 (2) |

8.117 RVS kogellagers ISB



ISB - Type RS - RVS

| | | |
|------------------|---|-----------|
| KOG.0607.2RS.SS0 | ISB kogellager, type 607 2RS, afm. d.D.B = Ø7 - Ø19 - 6 mm, RVS | 5,12 (2) |
| KOG.0608.2RS.SS0 | ISB kogellager, type 608 2RS, afm. d.D.B = Ø8 - Ø22 - 7 mm, RVS | 5,40 (2) |
| KOG.0609.2RS.SS0 | ISB kogellager, type 609 2RS, afm. d.D.B = Ø9 - Ø24 - 7 mm, RVS | 8,16 (2) |
| KOG.0626.2RS.SS0 | ISB kogellager, type 626 2RS, afm. d.D.B = Ø6 - Ø19 - 6 mm, RVS | 4,23 (2) |
| KOG.6000.2RS.SS0 | ISB kogellager, type 6000 2RS, afm. d.D.B = Ø10 - Ø26 - 8 mm, RVS | 7,16 (2) |
| KOG.6001.2RS.SS0 | ISB kogellager, type 6001 2RS, afm. d.D.B = Ø12 - Ø28 - 8 mm, RVS | 7,22 (2) |
| KOG.6002.2RS.SS0 | ISB kogellager, type 6002 2RS, afm. d.D.B = Ø15 - Ø32 - 9 mm, RVS | 8,87 (2) |
| KOG.6003.2RS.SS0 | ISB kogellager, type 6003 2RS, afm. d.D.B = Ø17 - Ø35 - 10 mm, RVS | 12,41 (2) |
| KOG.6004.2RS.SS0 | ISB kogellager, type 6004 2RS, afm. d.D.B = Ø20 - Ø42 - 12 mm, RVS | 14,15 (2) |
| KOG.6005.2RS.SS0 | ISB kogellager, type 6005 2RS, afm. d.D.B = Ø25 - Ø47 - 12 mm, RVS | 20,65 (2) |
| KOG.6006.2RS.SS0 | ISB kogellager, type 6006 2RS, afm. d.D.B = Ø30 - Ø55 - 13 mm, RVS | 26,09 (2) |
| KOG.6007.2RS.SS0 | ISB kogellager, type 6007 2RS, afm. d.D.B = Ø35 - Ø62 - 14 mm, RVS | 34,02 (2) |
| KOG.6200.2RS.SS0 | ISB kogellager, type 6200 2RS, afm. d.D.B = Ø10 - Ø30 - 9 mm, RVS | 8,12 (2) |
| KOG.6201.2RS.SS0 | ISB kogellager, type 6201 2RS, afm. d.D.B = Ø12 - Ø32 - 10 mm, RVS | 8,57 (2) |
| KOG.6202.2RS.SS0 | ISB kogellager, type 6202 2RS, afm. d.D.B = Ø15 - Ø35 - 11 mm, RVS | 11,97 (2) |
| KOG.6203.2RS.SS0 | ISB kogellager, type 6203 2RS, afm. d.D.B = Ø17 - Ø40 - 12 mm, RVS | 13,57 (2) |
| KOG.6204.2RS.SS0 | ISB kogellager, type 6204 2RS, afm. d.D.B = Ø20 - Ø47 - 14 mm, RVS | 17,19 (2) |
| KOG.6205.2RS.SS0 | ISB kogellager, type 6205 2RS, afm. d.D.B = Ø25 - Ø52 - 15 mm, RVS | 23,37 (2) |
| KOG.6206.2RS.SS0 | ISB kogellager, type 6206 2RS, afm. d.D.B = Ø30 - Ø62 - 16 mm, RVS | 40,06 (2) |
| KOG.6207.2RS.SS0 | ISB kogellager, type 6207 2RS, afm. d.D.B = Ø35 - Ø72 - 17 mm, RVS | 62,42 (2) |
| KOG.6208.2RS.SS0 | ISB kogellager, type 6208 2RS, afm. d.D.B = Ø40 - Ø80 - 18 mm, RVS | 85,26 (2) |
| KOG.6301.2RS.SS0 | ISB kogellager, type 6301 2RS, afm. d.D.B = Ø12 - Ø37 - 12 mm, RVS | 14,88 (2) |
| KOG.6302.2RS.SS0 | ISB kogellager, type 6302 2RS, afm. d.D.B = Ø15 - Ø42 - 13 mm, RVS | 17,69 (2) |
| KOG.6303.2RS.SS0 | ISB kogellager, type 6303 2RS, afm. d.D.B = Ø17 - Ø47 - 14 mm, RVS | 19,65 (2) |
| KOG.6304.2RS.SS0 | ISB kogellager, type 6304 2RS, afm. d.D.B = Ø20 - Ø52 - 15 mm, RVS | 24,05 (2) |
| KOG.6305.2RS.SS0 | ISB kogellager, type 6305 2RS, afm. d.D.B = Ø25 - Ø62 - 17 mm, RVS | 38,48 (2) |
| KOG.6306.2RS.SS0 | ISB kogellager, type 6306 2RS, afm. d.D.B = Ø30 - Ø72 - 19 mm, RVS | 52,08 (2) |
| KOG.619012RS.SS0 | ISB kogellager, type 61901 2RS, afm. d.D.B = Ø12 - Ø24 - 6 mm, RVS | 7,50 (2) |
| KOG.619052RS.SS0 | ISB kogellager, type 61905 2RS, afm. d.D.B = Ø25 - Ø42 - 9 mm, RVS | 23,99 (2) |
| KOG.622002RS.SS0 | ISB kogellager, type 62200 2RS, afm. d.D.B = Ø10 - Ø30 - 14 mm, RVS | 8,72 (2) |



Bergh Special Products B.V.

T. 0031 314 359490

F. 0031 314 359240

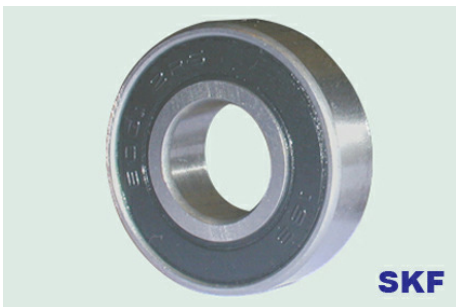
info@berghspecialproducts.nl

www.rolstoelonderdelen.nl



ISB - Type ZZ - RVS

| | | |
|-----------------|---|-----------|
| KOG.0607.2Z.SS0 | ISB kogellager, type 607 ZZ, afm. d.D.B = Ø7 - Ø19 - 6 mm, RVS | 5,13 (2) |
| KOG.0608.2Z.SS0 | ISB kogellager, type 608 ZZ, afm. d.D.B = Ø8 - Ø22 - 7 mm, RVS | 5,18 (2) |
| KOG.0609.2Z.SS0 | ISB kogellager, type 609 ZZ, afm. d.D.B = Ø9 - Ø24 - 7 mm, RVS | 7,60 (2) |
| KOG.0624.2Z.SS0 | ISB kogellager, type 624 ZZ, afm. d.D.B = Ø4 - Ø13 - 5 mm, RVS | 3,86 (2) |
| KOG.0626.2Z.SS0 | ISB kogellager, type 626 ZZ, afm. d.D.B = Ø6 - Ø19 - 6 mm, RVS | 4,19 (2) |
| KOG.0629.2Z.SS0 | ISB kogellager, type 629 ZZ, afm. d.D.B = Ø9 - Ø26 - 8 mm, RVS | 9,64 (2) |
| KOG.6000.2Z.SS0 | ISB kogellager, type 6000 ZZ, afm. d.D.B = Ø10 - Ø26 - 8 mm, RVS | 7,54 (2) |
| KOG.6001.2Z.SS0 | ISB kogellager, type 6001 ZZ, afm. d.D.B = Ø12 - Ø28 - 8 mm, RVS | 7,22 (2) |
| KOG.6002.2Z.SS0 | ISB kogellager, type 6002 ZZ, afm. d.D.B = Ø15 - Ø32 - 9 mm, RVS | 11,68 (2) |
| KOG.6003.2Z.SS0 | ISB kogellager, type 6003 ZZ, afm. d.D.B = Ø17 - Ø35 - 10 mm, RVS | 14,70 (2) |
| KOG.6004.2Z.SS0 | ISB kogellager, type 6004 ZZ, afm. d.D.B = Ø20 - Ø42 - 12 mm, RVS | 16,14 (2) |
| KOG.6005.2Z.SS0 | ISB kogellager, type 6005 ZZ, afm. d.D.B = Ø25 - Ø47 - 12 mm, RVS | 20,24 (2) |
| KOG.6006.2Z.SS0 | ISB kogellager, type 6006 ZZ, afm. d.D.B = Ø30 - Ø55 - 13 mm, RVS | 29,87 (2) |
| KOG.6200.2Z.SS0 | ISB kogellager, type 6200 ZZ, afm. d.D.B = Ø10 - Ø30 - 9 mm, RVS | 7,77 (2) |
| KOG.6201.2Z.SS0 | ISB kogellager, type 6201 ZZ, afm. d.D.B = Ø12 - Ø32 - 10 mm, RVS | 8,44 (2) |
| KOG.6202.2Z.SS0 | ISB kogellager, type 6202 ZZ, afm. d.D.B = Ø15 - Ø35 - 11 mm, RVS | 11,52 (2) |
| KOG.6203.2Z.SS0 | ISB kogellager, type 6203 ZZ, afm. d.D.B = Ø17 - Ø40 - 12 mm, RVS | 20,04 (2) |
| KOG.6204.2Z.SS0 | ISB kogellager, type 6204 ZZ, afm. d.D.B = Ø20 - Ø47 - 14 mm, RVS | 17,19 (2) |
| KOG.6205.2Z.SS0 | ISB kogellager, type 6205 ZZ, afm. d.D.B = Ø25 - Ø52 - 15 mm, RVS | 23,77 (2) |
| KOG.6206.2Z.SS0 | ISB kogellager, type 6206 ZZ, afm. d.D.B = Ø30 - Ø62 - 16 mm, RVS | 43,42 (2) |

8.121 Kogellagers SKF

SKF - Type RS

| | | |
|------------------|--|-----------|
| KOG.0607.2RSH01 | SKF kogellager, type 607 2RSH, afm. d.D.B = Ø7 - Ø19 - 6 mm, single | 5,20 (2) |
| KOG.0608.2RS101 | SKF kogellager, type 608 2RS1, afm. d.D.B = Ø8 - Ø22 - 7 mm, single | 6,14 (2) |
| KOG.0626.2RS001 | SKF kogellager, type 626 2RS, afm. d.D.B = Ø6 - Ø19 - 6 mm | 5,61 (2) |
| KOG.0609.2RSH01 | SKF kogellager, type 609 2RSH, afm. d.D.B = Ø9 - Ø24 - 7 mm, single | 6,17 (2) |
| KOG.0625.2RS101 | SKF kogellager, type 625 2RS1, afm. d.D.B = Ø5 - Ø16 - 5 mm, single | 5,88 (2) |
| KOG.0627.2RS101 | SKF kogellager, type 627 2RS1, afm. d.D.B = Ø7 - Ø22 - 7 mm, single | 6,10 (2) |
| KOG.0629.2RS101 | SKF kogellager, type 629 2RS1, afm. d.D.B = Ø9 - Ø26 - 8 mm, single | 6,25 (2) |
| KOG.6000.2RSH01 | SKF kogellager, type 6000 2RSH, afm. d.D.B = Ø10 - Ø26 - 8 mm, single | 5,83 (2) |
| KOG.6001.2RSH01 | SKF kogellager, type 6001 2RSH, afm. d.D.B = Ø12 - Ø28 - 8 mm, single | 7,26 (2) |
| KOG.6001.2RSC31 | SKF kogellager, type 6001 2RS C3, afm. d.D.B = Ø12 - Ø28 - 8 mm, single | 6,95 (2) |
| KOG.6002.2RS005 | EMS kogellager, type 6002 2RS, afm. d.D.B = Ø15 - Ø32 - 9 mm, single | 3,87 (2) |
| KOG.6002.2RSH01 | SKF kogellager, type 6002 2RSH, afm. d.D.B = Ø15 - Ø32 - 9 mm, single | 9,09 (2) |
| KOG.6003.2RSH01 | SKF kogellager, type 6003 2RSH, afm. d.D.B = Ø17 - Ø35 - 10 mm, single | 6,45 (2) |
| KOG.6004.2RSH01 | SKF kogellager, type 6004 2RSH, afm. d.D.B = Ø20 - Ø42 - 12 mm, single | 6,52 (2) |
| KOG.6005.2RSH01 | SKF kogellager, type 6005 2RSH, afm. d.D.B = Ø25 - Ø47 - 12 mm, single | 10,18 (2) |
| KOG.6006.2RS001 | SKF kogellager, type 6006 2RS, afm. d.D.B = Ø30 - Ø55 - 13 mm, single | 13,01 (2) |
| KOG.6007.2RS001 | SKF kogellager, type 6007 2RS, afm. d.D.B = Ø35 - Ø62 - 14 mm, single | 16,21 (2) |
| KOG.6008.2RS001 | SKF kogellager, type 6008 2RS, afm. d.D.B = Ø40 - Ø68 - 15 mm, single | 13,23 (2) |
| KOG.6010.2RS001 | SKF kogellager, type 6010 2RS, afm. d.D.B = Ø50 - Ø80 - 16 mm, single | 30,69 (2) |
| KOG.6012.2RS001 | SKF kogellager, type 6012 2RS, afm. d.D.B = Ø60 - Ø95 - 18 mm, single | 48,22 (2) |
| KOG.0628/6.2Z001 | SKF kogellager, type 628/8 2Z (ZZ), afm. d.D.B = Ø6 - Ø13 - 5 mm, single | 15,07 (2) |
| KOG.0628/6.2Z006 | Top-Quality kogellager, type 628/8 2Z (ZZ), afm. d.D.B = Ø6 - Ø13 - 5 mm, single | 2,12 (2) |
| KOG.0628/8.2Z001 | SKF kogellager, type 628/8 2Z (ZZ), afm. d.D.B = Ø8 - Ø16 - 5 mm, single | 15,07 (2) |
| KOG.0628/8.2Z006 | Top-Quality kogellager, type 628/8 2Z (ZZ), afm. d.D.B = Ø8 - Ø16 - 5 mm, single | 1,89 (2) |
| KOG.61904.2RS001 | SKF kogellager, type 61904 2RS, afm. d.D.B = Ø20 - Ø37 - 9 mm, single | 21,68 (2) |
| KOG.61906.2RS001 | SKF kogellager, type 61906 2RS, afm. d.D.B = Ø30 - Ø42 - 9 mm, single | 39,36 (2) |
| KOG.6200.2RSH01 | SKF kogellager, type 6200 2RSH, afm. d.D.B = Ø10 - Ø33 - 9 mm, single | 6,49 (2) |
| KOG.6201.2RSH01 | SKF kogellager, type 6201 2RSH, afm. d.D.B = Ø12 - Ø32 - 10 mm, single | 6,73 (2) |
| KOG.6202.2RSH01 | SKF kogellager, type 6202 2RSH, afm. d.D.B = Ø15 - Ø35 - 11 mm, single | 7,26 (2) |
| KOG.61901.2RS001 | SKF kogellager, type 61901 2RS, afm. d.D.B = Ø12 - Ø24 - 6 mm | 14,88 (2) |
| KOG.6203.2RS101 | SKF kogellager, type 6203 2RS1, afm. d.D.B = Ø17 - Ø40 - 12 mm, single | 8,60 (2) |



Bergh Special Products B.V.

T. 0031 314 359490

F. 0031 314 359240

info@berghspecialproducts.nl

www.rolstoelonderdelen.nl

| | | |
|------------------|--|-----------|
| KOG.6204.2RSH01 | SKF kogellager, type 6204 2RSH, afm. d.D.B = Ø20 - Ø47 - 14 mm, single | 9,62 (2) |
| KOG.6205.2RSH01 | SKF kogellager, type 6205 2RSH, afm. d.D.B = Ø25 - Ø52 - 15 mm, single | 11,28 (2) |
| KOG.6208.2RS001 | SKF kogellager, type 6208 2RS, afm. d.D.B = Ø40 - Ø80 - 18 mm, single | 27,34 (2) |
| KOG.6212.2RS001 | SKF kogellager, type 6212 2RS, afm. d.D.B = Ø60 - Ø110 - 22 mm, single | 48,22 (2) |
| KOG.63005.2RS001 | SKF kogellager, type 63005 2RS, afm. d.D.B = Ø25 - Ø47 - 16 mm, single | 25,50 (2) |
| KOG.63005.2RSR02 | SKF kogellager, type 63005 2RS, afm. d.D.B = Ø25 - Ø47 - 16 mm, single | 25,50 (2) |
| KOG.6302.2RS001 | SKF kogellager, type 6302 2RS, afm. d.D.B = Ø15 - Ø42 - 13 mm, single | 9,52 (2) |
| KOG.6303.2RS101 | SKF kogellager, type 6303 2RS1, afm. d.D.B = Ø17 - Ø47 - 14 mm, single | 12,50 (2) |
| KOG.6304.2RS101 | SKF kogellager, type 6304 2RS1, afm. d.D.B = Ø20 - Ø52 - 15 mm, single | 11,13 (2) |
| KOG.6306.2RS001 | SKF kogellager, type 6306 2RS, afm. d.D.B = Ø30 - Ø72 - 19 mm, single | 24,40 (2) |
| KOG.6307.2RS001 | SKF kogellager, type 6307 2RS, afm. d.D.B = Ø35 - Ø80 - 21 mm, single | 28,26 (2) |
| KOG.6308.2RS001 | SKF kogellager, type 6308 2RS, afm. d.D.B = Ø40 - Ø90 - 23 mm, single | 41,97 (2) |



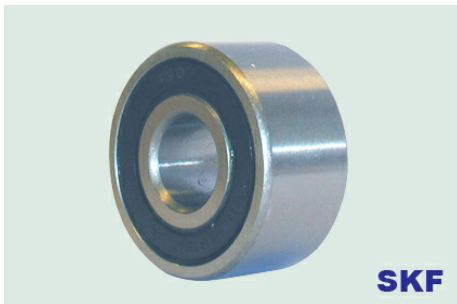
SKF - Type ZZ

| | | |
|-----------------|---|-----------|
| KOG.0608.2Z001 | SKF kogellager, type 608 2Z, afm. d.D.B = Ø8 - Ø22 - 7 mm, single | 5,26 (2) |
| KOG.6004.2Z.001 | SKF kogellager, type 6004 ZZ, afm. d.D.B = Ø20 - Ø42 - 12 mm | 7,09 (2) |
| KOG.6003.2Z001 | SKF kogellager, type 6003 2Z, afm. d.D.B = Ø17 - Ø35 - 10 mm, single | 7,79 (2) |
| KOG.6206.2RS001 | SKF kogellager, type 6206 2RS, afm. d.D.B = Ø30 - Ø62 - 16 mm, single | 14,70 (2) |
| KOG.6206.2Z001 | SKF kogellager, type 6206 2Z, afm. d.D.B = Ø30 - Ø62 - 16 mm, single | 13,85 (2) |
| KOG.6306.2Z001 | SKF kogellager, type 6306 2Z, afm. d.D.B = Ø30 - Ø72 - 19 mm, single | 19,51 (2) |
| KOG.6307.2Z001 | SKF kogellager, type 6307 2Z, afm. d.D.B = Ø35 - Ø80 - 21 mm, single | 24,95 (2) |
| KOG.6308.2Z001 | SKF kogellager, type 6308 2Z, afm. d.D.B = Ø40 - Ø90 - 23 mm, single | 35,35 (2) |



8.122 Kegellagers SKF

| | | |
|-----------------|---|------------|
| KOG.30204J2Q.01 | SKF kogellager type 30204 J2/Q, afm. d.D.B = Ø20 - Ø47 - 14 mm, single | 16,10 (2) |
| KOG.32215J2Q.01 | SKF kogellager type 32215 J2/Q, afm. d.D.B = Ø75 - Ø130 - 31 mm, single | 106,69 (2) |



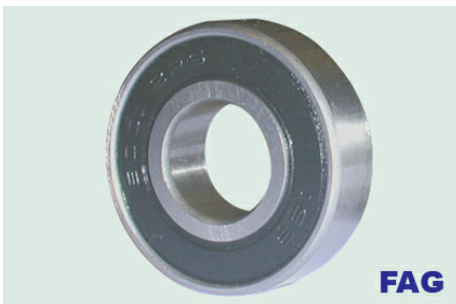
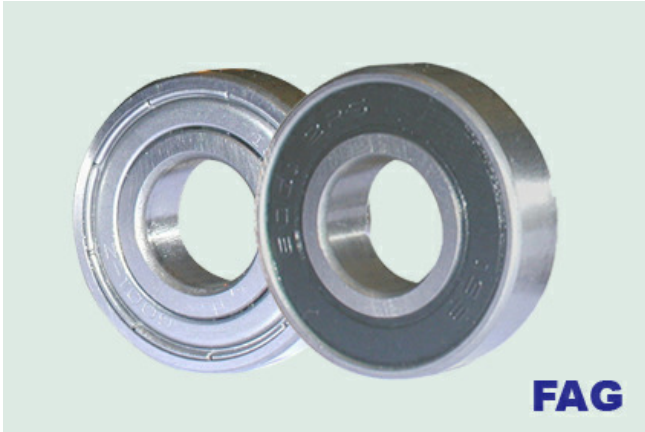
8.123 Zelfinstellende kogellagers SKF

| | | |
|----------------|--|-----------|
| KOG.1211EKTN9C | SKF kogellager, type 1211 EKTN9 C3, zelfinstellend, afm. d.D.B = Ø55 - Ø100 - 21 mm | 74,27 (2) |
| KOG.3207ATN901 | SKF kogellager, type 3207 ATN9, tweerijig zelfinstellend, afm. d.D.B = Ø35 - Ø72 - 27 mm, single | 55,82 (2) |
| KOG.4203ATN901 | SKF kogellager, type 4203, tweerijig zelfinstellend, afm. d.D.B = Ø17 - Ø40 - 16 mm, single | 35,46 (2) |
| KOG.4208ATN901 | SKF kogellager, type 4208, tweerijig zelfinstellend, afm. d.D.B = Ø40 - Ø80 - 23 mm, single | 59,58 (2) |
| KOG.4303ATN901 | SKF kogellager, type 4303, tweerijig zelfinstellend, afm. d.D.B = Ø17 - Ø47 - 19 mm, single | 51,14 (2) |
| KOG.4304ATN901 | SKF kogellager, type 4304, tweerijig zelfinstellend, afm. d.D.B = Ø20 - Ø52 - 21 mm, single | 47,68 (2) |
| KOG.4305ATN901 | SKF kogellager, type 4305, tweerijig zelfinstellend, afm. d.D.B = Ø25 - Ø62 - 24 mm, single | 55,47 (2) |



8.125 Tontaatslagers SKF

| | | |
|----------------|--|------------|
| KOG.29416.E.01 | SKF tontaatslager, type 29416 E, afm. d.D.B = Ø80 - Ø170 - 54 mm, single | 993,54 (2) |
|----------------|--|------------|

8.131 Kogellagers FAG

FAG - Type RS

| | | |
|------------------|---|-----------|
| KOG.0609.2RSR02 | FAG kogellager, type 609 2RS, afm. d.D.B = Ø9 - Ø24 - 7 mm, single | 5,86 (2) |
| KOG.0625.2RSR02 | FAG kogellager, type 625 2 RS, afm. d.D.B= Ø5 - Ø16 - 5 mm, single | 5,62 (2) |
| KOG.0626.2RSR002 | FAG kogellager, type 626 2RS, afm. d.D.B = Ø6 - Ø19 - 6 mm | 5,26 (2) |
| KOG.6000.2RSR02 | FAG kogellager, type 6000 2RS, afm. d.D.B = Ø10 - Ø26 - 8 mm, single | 6,52 (2) |
| KOG.6001.2RSR02 | FAG kogellager, type 6001 2RSR, afm. d.D.B = Ø12 - Ø28 - 8 mm, single | 6,65 (2) |
| KOG.6001.2RS003 | KBC kogellager, type 6001 2RS, afm. d.D.B = Ø12 - Ø28 - 8 mm | 3,32 (2) |
| KOG.6001.2RSC32 | FAG kogellager, type 6001 2RS C3, afm. d.D.B = Ø12 - Ø28 - 8 mm, single | 6,30 (2) |
| KOG.6002.2RSR02 | FAG kogellager, type 6002 2RSR, afm. d.D.B = Ø15 - Ø32 - 9 mm, single | 7,44 (2) |
| KOG.6003.2RSR02 | FAG kogellager, type 6003 2RSR, afm. d.D.B = Ø17 - Ø35 - 10 mm, single | 10,29 (2) |
| KOG.6003.2RSC32 | FAG kogellager, type 6003 2RS C3, afm. d.D.B = Ø17 - Ø35 - 10 mm, single | 6,91 (2) |
| KOG.6004.2RSR02 | FAG kogellager, type 6004 2RSR, afm. d.D.B = Ø20 - Ø42 - 12 mm, single | 7,97 (2) |
| KOG.6005.2RSR02 | FAG kogellager, type 6005 2RSR, afm. d.D.B = Ø25 - Ø47 - 12 mm, single | 8,81 (2) |
| KOG.6005.ZZ00002 | FAG kogellager, type 6005 2ZR (ZZ), afm. d.D.B = Ø25 - Ø47 - 12 mm, single | 7,72 (2) |
| KOG.6008.2RSR02 | FAG kogellager, type 6008 2RSR, afm. d.D.B = Ø40 - Ø68 - 15 mm, single | 16,76 (2) |
| KOG.6012.2RSR02 | FAG kogellager, type 6012 2RSR, afm. d.D.B = Ø60 - Ø95 - 18 mm, single | 36,90 (2) |
| KOG.6015.2RSR02 | FAG kogellager, type 6015 2RSR, afm. d.D.B = Ø75 - Ø115 - 20 mm, single | 68,32 (2) |
| KOG.6200.2RSR02 | FAG kogellager, type 6200 2RSR, afm. d.D.B = Ø10 - Ø30 - 9 mm, single | 5,60 (2) |
| KOG.6000.ZZ002 | FAG kogellager, type 6000 2ZR(ZZ), afm. d.D.B = Ø10 - Ø26 - 8 mm | 4,85 (2) |
| KOG.6201.2RSR02 | FAG kogellager, type 6201 2RSR, afm. d.D.B = Ø12 - Ø32 - 10 mm, single | 6,14 (2) |
| KOG.6202.2RSR02 | FAG kogellager, type 6202 2RSR, afm. d.D.B= Ø15 - Ø35 - 11 mm,single | 6,30 (2) |
| KOG.6203.2RSR02 | FAG kogellager, type 6203 2RSR, afm. d.D.B = Ø17 - Ø40 - 12 mm, single | 7,40 (2) |
| KOG.6002.ZZ002 | FAG kogellager, type 6002 2ZR (ZZ) afm. d.D.B = Ø15 - Ø32 - 9 mm | 5,75 (2) |
| KOG.6006.ZZ002 | FAG kogellager, type 6006 2ZR (ZZ) afm. d.D.B = Ø30 - Ø55 - 13 mm | 9,43 (2) |
| KOG.6204.2RSR02 | FAG kogellager, type 6204 2RSR, afm. d.D.B = Ø20 - Ø47 - 14 mm, single | 8,21 (2) |
| KOG.6204.ZZ00002 | FAG kogellager, type 6204 2ZR(ZZ) , afm. d.D.B = Ø20 - Ø47 - 14 mm, single | 7,20 (2) |
| KOG.6205.2RSR02 | FAG kogellager, type 6205 2RSR, afm. d.D.B = Ø25 - Ø52 - 15 mm, single | 9,70 (2) |
| KOG.6207.2RSR02 | FAG kogellager, type 6207 2RSR, afm. d.D.B = Ø35 - Ø72 - 17 mm, single | 17,62 (2) |
| KOG.6208.2RSR02 | FAG kogellager, type 6208 2RSR, afm. d.D.B = Ø40 - Ø80 - 18 mm, single | 22,49 (2) |
| KOG.6210.2RSR02 | FAG kogellager, type 6210 2RSR, afm. d.D.B = Ø50 - Ø90 - 20 mm, single | 34,10 (2) |
| KOG.6212.2RSR02 | FAG kogellager, type 6212 2RSR, afm. d.D.B = Ø60 - Ø110 - 22 mm, single | 46,86 (2) |
| KOG.6302.2RSR02 | FAG kogellager, type 6302 2RSR, afm. d.D.B = Ø15 - Ø42 - 13 mm, single | 12,24 (2) |

**Bergh Special Products B.V.**

T. 0031 314 359490

F. 0031 314 359240

info@berghspecialproducts.nl

www.rolstoelonderdelen.nl

| | | |
|-----------------|--|-----------|
| KOG.6304.2RSR02 | FAG kogellager, type 6304 2RSR, afm. d.D.B = Ø20 - Ø52 - 15 mm, single | 11,32 (2) |
| KOG.6305.2RSR02 | FAG kogellager, type 6305 2RSR, afm. d.D.B = Ø25 - Ø62 - 17 mm, single | 14,11 (2) |

**FAG - Type ZZ**

| | | |
|------------------|--|----------|
| KOG.6004.ZZ00002 | FAG kogellager, type 6004 ZZ, afm. d.D.B = Ø20 - Ø42 - 12 mm, single | 6,41 (2) |
| KOG.6004.ZZ00003 | KBC / FAG kogellager, type 6004 ZZ, afm. d.D.B = Ø20 - Ø42 - 12 mm, single | 3,42 (2) |
| KOG.6200.2ZR02 | FAG kogellager, type 6200 2ZR, afm. d.D.B = Ø10 - Ø30 - 9 mm, single | 4,67 (2) |
| KOG.6202.ZZ00002 | FAG kogellager, type 6202 ZZ (2ZR), afm. d.D.B = Ø15 - Ø35 - 11 mm, single | 5,26 (2) |
| KOG.6202.ZZ00003 | KBC / FAG kogellager, type 6202 ZZ CMM, afm. d.D.B = Ø15 - Ø35 - 11 mm, single | 3,16 (2) |



8.132 Kegellagers FAG

| | | |
|---------------|--|-----------|
| KOG.30203.002 | FAG kegellager, type 30203, afm. d.D.B = Ø17 - Ø40 - 12 mm | 16,83 (2) |
| KOG.30302.002 | FAG kegellager, type 30302, afm. d.D.B = Ø15 - Ø42 - 13 mm | 23,30 (2) |



8.135 Tontaatslagers FAG

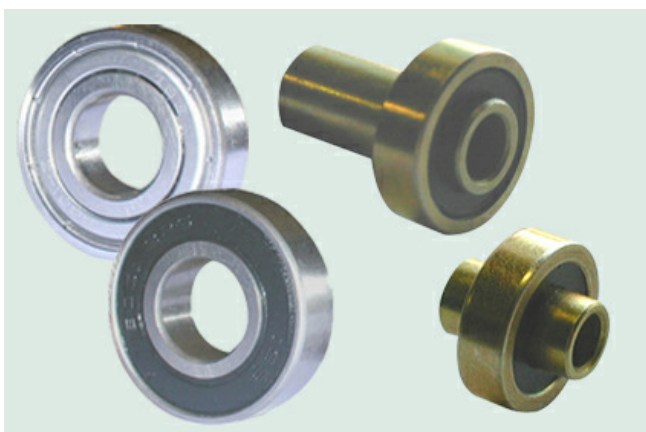
| | | |
|----------------|--|------------|
| KOG.29416.E.02 | FAG tontaatslager, type 29416 E, afm. d.D.B = Ø80 - Ø170 - 54 mm, single | 867,41 (2) |
|----------------|--|------------|



8.136 Cilinderlagers FAG

| | | |
|------------------|---|------------|
| KOG.NJ2308.ECP.2 | FAG cilinderlager, type 2308 ECP afm. d.D.B = Ø40 - Ø90 - 33 mm | 107,38 (2) |
|------------------|---|------------|

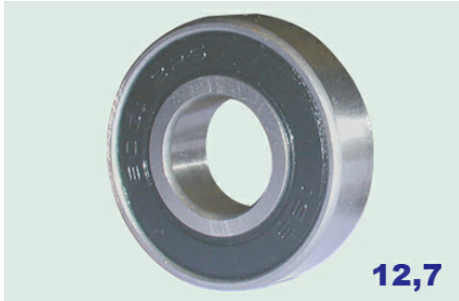
8.190 Speciale lagers





Bergh Special Products B.V.

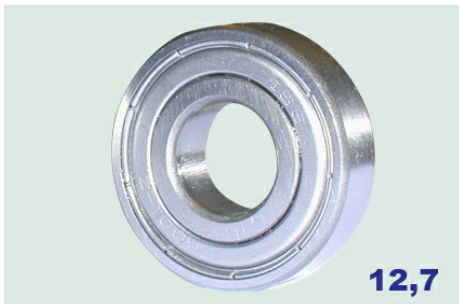
T. 0031 314 359490
 F. 0031 314 359240
 info@berghspecialproducts.nl
 www.rolstoelonderdelen.nl



Type RS - 12.7

12,7

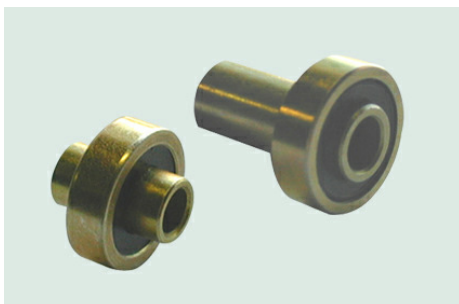
| | | |
|------------------|--|-----------|
| KOG.00R6.2RS004 | Kogellager R6-2RS, afm. d.D.B = Ø9,525 - Ø22,225 - 7,14 mm | 52,55 (2) |
| KOG.00R8.2RS004 | Kogellager R8-2RS, afm. d.D.B = Ø12,7 - Ø28,6 - 7,9 mm | 8,41 (2) |
| KOG.6001.2RS127 | ISB kogellager, type 6001 2RS, afm. d.D.B = Ø12,7 - Ø28 - 8 mm | 2,70 (2) |
| KOG.6201.2RS.127 | ISB kogellager, type 6201 2RS 12,7, afm. d.D.B = Ø12,7 - Ø32 - 10 mm | 2,71 (2) |
| KOG.6201.2RSS127 | Kogellager, type 6201 2RS, afm. d.D.B = Ø12,7 - Ø32 - 10 mm, RVS | 17,79 (2) |



Type ZZ - 12.7

12,7

| | | |
|-----------------|--|----------|
| KOG.00R8.ZZ004 | Kogellager R8-ZZ, afm. d.D.B = Ø12,7 - Ø28,6 - 7,9 mm | 8,41 (2) |
| KOG.6201.ZZ.127 | Kogellager, type 6201 ZZ, afm. d.D.B = Ø12,7 - Ø32 - 10 mm | 2,32 (2) |



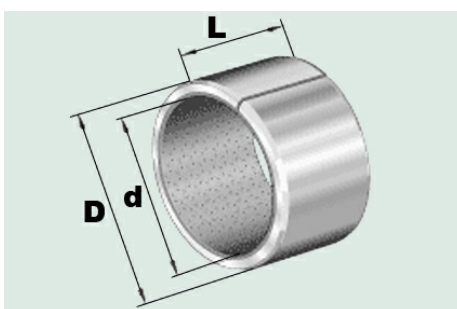
Type EK

| | | |
|-------------|--|----------|
| KOG.EK.60.1 | EK-kogellager, L1 x L2 x L3 = 2 x 7 x 21 mm, totale naaflengte 30 mm, D = Ø26 mm | 1,86 (2) |
| KOG.EK.60.3 | EK-kogellager, L1 x L2 x L3 = 6 x 8 x 8 mm, totale naaflengte 22 mm, D = Ø26 mm | 1,86 (2) |

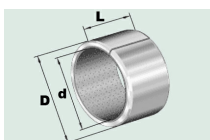
8.200 SFB Glijlagerbussen en flenslagerbussen



8.210 Glijlagerbus SFB



Glijlagerbus SFB onderhoudsvrij



Glijlagerbussen met asdiameter groter dan Ø40mm op aanvraag

| | | |
|------------------|--|----------|
| GLB.SF.10.000606 | SFB glijlagerbus, type SF-1, afm. d.D.L = Ø6 - Ø8 - 6 mm, onderhoudsvrij bus van staal, contactoppervlak PTFE (Teflon) met brons | 0,44 (2) |
| GLB.SF.10.000608 | SFB glijlagerbus, type SF-1, afm. d.D.L = Ø6 - Ø8 - 8 mm, onderhoudsvrij bus van staal, contactoppervlak PTFE (Teflon) met brons | 0,44 (2) |
| GLB.SF.10.000610 | SFB glijlagerbus, type SF-1, afm. d.D.L = Ø6 - Ø8 - 10 mm, onderhoudsvrij bus van staal, contactoppervlak PTFE (Teflon) met brons | 0,44 (2) |
| GLB.SF.10.008008 | SFB glijlagerbus, type SF-1, afm. d.D.L = Ø8 - Ø10 - 8 mm, onderhoudsvrij bus van staal, contactoppervlak PTFE (Teflon) met brons | 0,50 (2) |
| GLB.SF.10.008010 | SFB glijlagerbus, type SF-1, afm. d.D.L = Ø8 - Ø10 - 10 mm, onderhoudsvrij bus van staal, contactoppervlak PTFE (Teflon) met brons | 0,51 (2) |



| | | |
|------------------|---|----------|
| GLB.SF.10.008012 | SFB glijlagerbus, type SF-1, afm. d.D.L = Ø8 - Ø10 - 12 mm, onderhoudsvrij bus van staal, contactoppervlak PTFE (Teflon) met brons | 0,52 (2) |
| GLB.SF.10.008015 | SFB glijlagerbus, type SF-1, afm. d.D.L = Ø8 - Ø10 - 15 mm, onderhoudsvrij bus van staal, contactoppervlak PTFE (Teflon) met brons | 0,56 (2) |
| GLB.SF.10.010008 | SFB glijlagerbus, type SF-1, afm. d.D.L = Ø10 - Ø12 - 8 mm, onderhoudsvrij bus van staal, contactoppervlak PTFE (Teflon) met brons | 0,44 (2) |
| GLB.SF.10.010010 | SFB glijlagerbus, type SF-1, afm. d.D.L = Ø10 - Ø12 - 10 mm, onderhoudsvrij bus van staal, contactoppervlak PTFE (Teflon) met brons | 0,47 (2) |
| GLB.SF.10.010012 | SFB glijlagerbus, type SF-1, afm. d.D.L = Ø10 - Ø12 - 12 mm, onderhoudsvrij bus van staal, contactoppervlak PTFE (Teflon) met brons | 0,49 (2) |
| GLB.SF.10.010013 | SFB glijlagerbus, type SF-1, afm. d.D.L = Ø10 - Ø12 - 13 mm, onderhoudsvrij bus van staal, contactoppervlak PTFE (Teflon) met brons | 0,59 (2) |
| GLB.SF.10.010015 | SFB glijlagerbus, type SF-1, afm. d.D.L = Ø10 - Ø12 - 15 mm, onderhoudsvrij bus van staal, contactoppervlak PTFE (Teflon) met brons | 0,62 (2) |
| GLB.SF.10.010020 | SFB glijlagerbus, type SF-1, afm. d.D.L = Ø10 - Ø12 - 20 mm, onderhoudsvrij bus van staal, contactoppervlak PTFE (Teflon) met brons | 0,68 (2) |
| GLB.SF.10.012015 | SFB glijlagerbus, type SF-1, afm. d.D.L = Ø12 - Ø14 - 15 mm, onderhoudsvrij bus van staal, contactoppervlak PTFE (Teflon) met brons | 0,66 (2) |
| GLB.SF.10.012020 | SFB glijlagerbus, type SF-1, afm. d.D.L = Ø12 - Ø14 - 20 mm, onderhoudsvrij bus van staal, contactoppervlak PTFE (Teflon) met brons | 0,68 (2) |
| GLB.SF.10.012025 | SFB glijlagerbus, type SF-1, afm. d.D.L = Ø12 - Ø14 - 20 mm, onderhoudsvrij bus van staal, contactoppervlak PTFE (Teflon) met brons | 0,77 (2) |
| GLB.SF.10.015010 | SFB glijlagerbus, type SF-1, afm. d.D.L = Ø15 - Ø17 - 10 mm, onderhoudsvrij bus van staal, contactoppervlak PTFE (Teflon) met brons | 0,68 (2) |
| GLB.SF.10.015012 | SFB glijlagerbus, type SF-1, afm. d.D.L = Ø15 - Ø17 - 12 mm, onderhoudsvrij bus van staal, contactoppervlak PTFE (Teflon) met brons | 0,68 (2) |
| GLB.SF.10.015015 | SFB glijlagerbus, type SF-1, afm. d.D.L = Ø15 - Ø17 - 15 mm, onderhoudsvrij bus van staal, contactoppervlak PTFE (Teflon) met brons | 0,72 (2) |
| GLB.SF.10.015020 | SFB glijlagerbus, type SF-1, afm. d.D.L = Ø15 - Ø17 - 20 mm, onderhoudsvrij bus van staal, contactoppervlak PTFE (Teflon) met brons | 0,69 (2) |
| GLB.SF.10.015025 | SFB glijlagerbus, type SF-1, afm. d.D.L = Ø15 - Ø17 - 25 mm, onderhoudsvrij bus van staal, contactoppervlak PTFE (Teflon) met brons | 0,69 (2) |
| GLB.SF.10.016015 | SFB glijlagerbus, type SF-1, afm. d.D.L = Ø16 - Ø18 - 15 mm, onderhoudsvrij bus van staal, contactoppervlak PTFE (Teflon) met brons | 0,75 (2) |
| GLB.SF.10.016020 | SFB glijlagerbus, type SF-1, afm. d.D.L = Ø16 - Ø18 - 20 mm, onderhoudsvrij bus van staal, contactoppervlak PTFE (Teflon) met brons | 0,93 (2) |
| GLB.SF.10.018015 | SFB glijlagerbus, type SF-1, afm. d.D.L = Ø18 - Ø20 - 15 mm, onderhoudsvrij bus van staal, contactoppervlak PTFE (Teflon) met brons | 0,93 (2) |
| GLB.SF.10.018025 | SFB glijlagerbus, type SF-1, afm. d.D.L = Ø18 - Ø20 - 25 mm, onderhoudsvrij bus van staal, contactoppervlak PTFE (Teflon) met brons | 1,22 (2) |
| GLB.SF.10.019010 | SFB glijlagerbus, type SF-1, afm. d.D.L = Ø20 - Ø22 - 10 mm, onderhoudsvrij bus van staal, contactoppervlak PTFE (Teflon) met brons | 0,92 (2) |
| GLB.SF.10.020010 | SFB glijlagerbus, type SF-1, afm. d.D.L = Ø20 - Ø23 - 10 mm, onderhoudsvrij bus van staal, contactoppervlak PTFE (Teflon) met brons | 0,96 (2) |
| GLB.SF.10.020015 | SFB glijlagerbus, type SF-1, afm. d.D.L = Ø20 - Ø23 - 15 mm, onderhoudsvrij bus van staal, contactoppervlak PTFE (Teflon) met brons | 1,08 (2) |
| GLB.SF.10.020020 | SFB glijlagerbus, type SF-1, afm. d.D.L = Ø20 - Ø23 - 20 mm, onderhoudsvrij bus van staal, contactoppervlak PTFE (Teflon) met brons | 1,21 (2) |
| GLB.SF.10.020025 | SFB glijlagerbus, type SF-1, afm. d.D.L = Ø20 - Ø23 - 25 mm, onderhoudsvrij bus van staal, contactoppervlak PTFE (Teflon) met brons | 1,37 (2) |
| GLB.SF.10.020030 | SFB glijlagerbus, type SF-1, afm. d.D.L = Ø20 - Ø23 - 30 mm, onderhoudsvrij bus van staal, contactoppervlak PTFE (Teflon) met brons | 1,44 (2) |
| GLB.SF.10.028030 | SFB glijlagerbus, type SF-1, afm. d.D.L = Ø28 - Ø32 - 30 mm, onderhoudsvrij bus van staal, contactoppervlak PTFE (Teflon) met brons | 3,14 (2) |
| GLB.SF.10.030030 | SFB glijlagerbus, type SF-1, afm. d.D.L = Ø30 - Ø34 - 30 mm, onderhoudsvrij bus van staal, contactoppervlak PTFE (Teflon) met brons | 1,76 (2) |
| GLB.SF.10.035020 | SFB glijlagerbus, type SF-1, afm. d.D.L = Ø35 - Ø20 - 39 mm, onderhoudsvrij bus van staal, contactoppervlak PTFE (Teflon) met brons | 1,98 (2) |
| GLB.SF.10.045030 | SFB glijlagerbus, type SF-1, afm. d.D.L = Ø45 - Ø50 - 30 mm, onderhoudsvrij bus van staal, contactoppervlak PTFE (Teflon) met brons | 4,02 (2) |
| GLB.SF.10.045040 | SFB glijlagerbus, type SF-1, afm. d.D.L = Ø45 - Ø50 - 40 mm, onderhoudsvrij bus van staal, contactoppervlak PTFE (Teflon) met brons | 4,15 (2) |



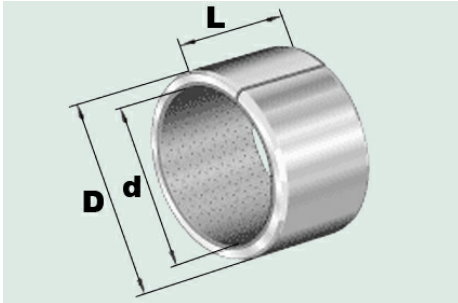
Bergh Special Products B.V.

T. 0031 314 359490

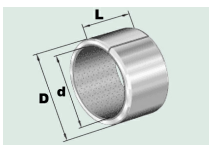
F. 0031 314 359240

info@berghspecialproducts.nl

www.rolstoelonderdelen.nl



Glijlagerbus SFB hoogwaardig onderhoudsvrij



Glijlagerbussen met asdiameter groter dan Ø40mm op aanvraag

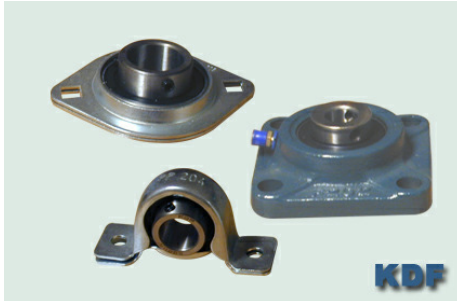
| | | |
|------------------|--|----------|
| GLB.SF.20.000810 | SFB glijlagerbus, type SF-2, afm. d.D.L = Ø 8 - Ø10 - 10 mm, hoogwaardig onderhoudsvrij | 0,50 (2) |
| GLB.SF.20.001010 | SFB glijlagerbus, type SF-2, afm. d.D.L = Ø10 - Ø12 - 10 mm, hoogwaardig onderhoudsvrij | 0,49 (2) |
| GLB.SF.20.001215 | SFB glijlagerbus, type SF-2, afm. d.D.L = Ø12 - Ø14 - 15 mm, hoogwaardig onderhoudsvrij | 0,72 (2) |
| GLB.SF.20.001515 | SFB glijlagerbus, type SF-2, afm. d.D.L = Ø15 - Ø17 - 15 mm, hoogwaardig onderhoudsvrij bus van staal, contactoppervlak POM (Delrin) met brons | 1,22 (2) |
| GLB.SF.20.001615 | SFB glijlagerbus, type SF-2, afm. d.D.L = Ø16 - Ø18 - 15 mm, hoogwaardig onderhoudsvrij bus van staal, contactoppervlak POM (Delrin) met brons | 0,92 (2) |
| GLB.SF.20.002015 | SFB glijlagerbus, type SF-2, afm. d.D.L = Ø20 - Ø23 - 15 mm, hoogwaardig onderhoudsvrij | 1,08 (2) |
| GLB.SF.20.004540 | SFB glijlagerbus, type SF-2, afm. d.D.L = Ø45 - Ø50 - 40 mm, hoogwaardig onderhoudsvrij | 4,41 (2) |



8.220 Flenslagerbus SFB

SFB

| | | |
|------------------|---|----------|
| GLB.SF.1F.006040 | SFB flenslagerbus, type SF 1F, afm. d.D.L = Ø6 - Ø8 - 4 mm, onderhoudsvrij bus van staal, contactoppervlak PTFE (Teflon) met brons | 0,49 (2) |
| GLB.SF.1F.006070 | SFB flenslagerbus, type SF 1F, afm. d.D.L = Ø6 - Ø8 - 7 mm, onderhoudsvrij bus van staal, contactoppervlak PTFE (Teflon) met brons | 0,49 (2) |
| GLB.SF.1F.006080 | SFB flenslagerbus, type SF 1F, afm. d.D.L = Ø6 - Ø8 - 8 mm, onderhoudsvrij bus van staal, contactoppervlak PTFE (Teflon) met brons | 0,88 (2) |
| GLB.PAF08095-P11 | Technymon flenslagerbus, afm. d.D.L = Ø8 - Ø10 - 9,5 mm, onderhoudsvrij met bronzen kern. Alternatief voor INA flenslagerbus, PAF08095-P11 | 2,21 (2) |
| GLB.PAF10170-P11 | Technymon flenslagerbus, afm. d.D.L = Ø10 - Ø12 - 17 mm, onderhoudsvrij met bronzen kern. Alternatief voor INA flenslagerbus, PAF10170-P11 | 4,14 (2) |
| GLB.PAF15120-P11 | Technymon flenslagerbus, afm. d.D.L = Ø15 - Ø17 - 12 mm, onderhoudsvrij met bronzen kern. Alternatief voor INA flenslagerbus PAF15120-P11 | 3,42 (2) |
| GLB.PAF15170-P11 | Technymon flenslagerbus, afm. d.D.L = Ø15 - Ø17 - 17 mm, onderhoudsvrij met bronzen kern. Alternatief voor INA flenslagerbus PAF15170-P11 | 3,59 (2) |
| GLB.PAF16120-P11 | Technymon flenslagerbus, afm. d.D.L = Ø16 - Ø18 - 12 mm, onderhoudsvrij met bronzen kern. Alternatief voor INA flenslagerbus PAF16120-P11 | 3,57 (2) |
| GLB.PAF20115-P11 | Technymon flenslagerbus, afm. d.D.L = Ø20 - Ø23 - 11,5 mm, onderhoudsvrij met bronzen kern. Alternatief voor INA flenslagerbus PAF20115-P11 | 5,99 (2) |
| GLB.SF.1F.008075 | SFB flenslagerbus, type SF 1F, afm. d.D.L = Ø8 - Ø10 - 7,5 mm, onderhoudsvrij bus van staal, contactoppervlak PTFE (Teflon) met brons | 0,61 (2) |
| GLB.SF.1F.010070 | SFB flenslagerbus, type SF 1F, afm. d.D.L = Ø10 - Ø12 - 7 mm, onderhoudsvrij bus van staal, contactoppervlak PTFE (Teflon) met brons | 0,71 (2) |
| GLB.SF.1F.010090 | SFB flenslagerbus, type SF 1F, afm. d.D.L = Ø10 - Ø12 - 9 mm, onderhoudsvrij bus van staal, contactoppervlak PTFE (Teflon) met brons | 0,69 (2) |
| GLB.SF.1F.010120 | SFB flenslagerbus, type SF 1F, afm. d.D.L = Ø10 - Ø12 - 12 mm, onderhoudsvrij bus van staal, contactoppervlak PTFE (Teflon) met brons | 0,75 (2) |
| GLB.SF.1F.010170 | SFB flenslagerbus, type SF 1F, afm. d.D.L = Ø10 - Ø12 - 17 mm, onderhoudsvrij bus van staal, contactoppervlak PTFE (Teflon) met brons | 0,81 (2) |
| GLB.SF.1F.012090 | SFB flenslagerbus, type SF 1F, afm. d.D.L = Ø12 - Ø9 - 14 mm, onderhoudsvrij bus van staal, contactoppervlak PTFE (Teflon) met brons | 1,00 (2) |
| GLB.SF.1F.012120 | SFB flenslagerbus, type SF 1F, afm. d.D.L = Ø12 - Ø14 - 12 mm, onderhoudsvrij bus van staal, contactoppervlak PTFE (Teflon) met brons | 1,05 (2) |
| GLB.SF.1F.015120 | SFB flenslagerbus, type SF 1F, afm. d.D.L = Ø15 - Ø17 - 12 mm, onderhoudsvrij bus van staal, contactoppervlak PTFE (Teflon) met brons | 0,93 (2) |
| GLB.SF.1F.015170 | SFB flenslagerbus, type SF 1F, afm. d.D.L = Ø15 - Ø17 - 17 mm, onderhoudsvrij bus van staal, contactoppervlak PTFE (Teflon) met brons | 1,22 (2) |
| GLB.SF.1F.016120 | SFB flenslagerbus, type SF 1F, afm. d.D.L = Ø16 - Ø18 - 12 mm, onderhoudsvrij bus van staal, contactoppervlak PTFE (Teflon) met brons | 1,32 (2) |
| GLB.SF.1F.016170 | SFB flenslagerbus, type SF 1F, afm. d.D.L = Ø16 - Ø18 - 17 mm, onderhoudsvrij bus van staal, contactoppervlak PTFE (Teflon) met brons | 1,36 (2) |
| GLB.SF.1F.018170 | SFB flenslagerbus, type SF 1F, afm. d.D.L = Ø18 - Ø20 - 17 mm, onderhoudsvrij bus van staal, contactoppervlak PTFE (Teflon) met brons | 2,37 (2) |
| GLB.SF.1F.020165 | SFB flenslagerbus, type SF 1F, afm. d.D.L = Ø20 - Ø23 - 16,5 mm, onderhoudsvrij bus van staal, contactoppervlak PTFE (Teflon) met brons | 1,18 (2) |
| GLB.SF.1F.025165 | SFB flenslagerbus, type SF 1F, afm. d.D.L = Ø25 - Ø28 - 16,5 mm, onderhoudsvrij bus van staal, contactoppervlak PTFE (Teflon) met brons | 2,37 (2) |
| GLB.SF.1F.025215 | SFB flenslagerbus, type SF 1F, afm. d.D.L = Ø25 - Ø28 - 21,5 mm, onderhoudsvrij bus van staal, contactoppervlak PTFE (Teflon) met brons | 2,48 (2) |
| GLB.SF.1F.035260 | SFB flenslagerbus, type SF 1F, afm. d.D.L = Ø35 - Ø39 - 26 mm, onderhoudsvrij bus van staal, contactoppervlak PTFE (Teflon) met brons | 4,18 (2) |



8.310 KDF insert lagers, flenslagerhuis en kussenblokhuis

| | | |
|------------------|---|-----------|
| KOG.INS.SB201.00 | KDF insert-lager SB 201 2RS, as 12 mm | 9,22 (2) |
| KOG.INS.SB202.00 | KDF insert-lager SB 202 2RS, as 15 mm | 8,82 (2) |
| KOG.INS.SB203.00 | KDF insert-lager SB 203 2RS, as 17 mm | 9,74 (2) |
| KOG.INS.SB204.00 | KDF insert-lager SB 204 2RS, as 20 mm | 8,82 (2) |
| KOG.INS.SB204.04 | Insert-lager SB 204 2RS, as 20 mm | 4,20 (2) |
| KOG.INS.SB205.00 | KDF insert-lager SB 205 2RS, as 25 mm | 10,75 (2) |
| KOG.INS.SB206.00 | KDF insert-lager SB 206 2RS, as 30 mm | 13,10 (2) |
| KOG.INS.SB207.00 | KDF insert-lager SB 207 2RS, as 35 mm | 15,31 (2) |
| KOG.INS.U.003.00 | KDF insert-lager U 003 2RS, afm. d.D.B = Ø17 - Ø35 - 10/17,3 mm | 7,63 (2) |
| LAGBH.PF.3.00 | KDF 2-delig plaatstalen flenslagerhuis type PF 203, verzinkt | 2,76 (2) |
| LAGBH.PF.4.00 | KDF 2-delig plaatstalen flenslagerhuis type PF 204, verzinkt | 4,48 (2) |
| LAGBH.PF.5.00 | KDF 2-delig plaatstalen flenslagerhuis type PF 205, verzinkt | 4,66 (2) |
| LAGBH.PF.6.00 | KDF 2-delig plaatstalen flenslagerhuis type PF 206, verzinkt | 8,08 (2) |
| LAGBH.PF.7.00 | KDF 2-delig plaatstalen flenslagerhuis type PF 207, verzinkt | 9,10 (2) |
| LAGBH.PFL.3.00 | KDF 2-delig plaatstalen flenslagerhuis type PFL 203, verzinkt | 1,98 (2) |
| LAGBH.PFL.4.00 | KDF 2-delig plaatstalen flenslagerhuis type PFL 204, verzinkt | 2,44 (2) |
| LAGBH.PFL.5.00 | KDF 2-delig plaatstalen flenslagerhuis type PFL 205, verzinkt | 3,35 (2) |
| LAGBH.PFL.6.00 | KDF 2-delig plaatstalen flenslagerhuis type PFL 206, verzinkt | 4,33 (2) |
| LAGBH.PFL.7.00 | KDF 2-delig plaatstalen flenslagerhuis type PFL 207, verzinkt | 5,82 (2) |
| LAGBH.PP.3.00 | KDF 2-delig plaatstalen kussenblokhuis type PP 203, verzinkt | 2,67 (2) |
| LAGBH.PP.4.00 | KDF 2-delig plaatstalen kussenblokhuis type PP 204, verzinkt | 2,07 (2) |
| LAGBH.PP.4.04 | 2-delig plaatstalen kussenblokhuis type PP 204, verzinkt | 1,58 (2) |
| LAGBH.PP.5.00 | KDF 2-delig plaatstalen kussenblokhuis type PP 205, verzinkt | 4,16 (2) |
| LAGBH.PP.6.00 | KDF 2-delig plaatstalen kussenblokhuis type PP 206, verzinkt | 5,53 (2) |
| LAGBH.PP.7.00 | KDF 2-delig plaatstalen kussenblokhuis type PP 207, verzinkt | 6,55 (2) |
| LAGBH.PTF.3.00 | KDF 2-delig plaatstalen flenslagerhuis type PTF 203, verzinkt | 2,34 (2) |
| LAGBH.PTF.4.00 | KDF 3-delig plaatstalen flenslagerhuis type PTF 204, verzinkt | 3,01 (2) |
| LAGBH.PTF.5.00 | KDF 3-delig plaatstalen flenslagerhuis type PTF 205, verzinkt | 3,32 (2) |
| LAGBH.PTF.6.00 | KDF 3-delig plaatstalen flenslagerhuis type PTF 206, verzinkt | 6,22 (2) |
| LAGBH.PTF.7.00 | KDF 3-delig plaatstalen flenslagerhuis type PTF 207, verzinkt | 6,59 (2) |



8.311 KDF lagerblokken SBPF

| | | |
|------------------|---|-----------|
| LAGB.SBPF.201.00 | KDF plaatstalen 3-gats flenslagerblok type SBPF 201, as Ø 12 mm | 11,98 (2) |
| LAGB.SBPF.202.00 | KDF plaatstalen 3-gats flenslagerblok type SBPF 202, as Ø 15 mm | 11,58 (2) |
| LAGB.SBPF.203.00 | KDF plaatstalen 3-gats flenslagerblok type SBPF 203, as Ø 17 mm | 12,50 (2) |
| LAGB.SBPF.204.00 | KDF plaatstalen 3-gats flenslagerblok type SBPF 204, as Ø 20 mm | 11,83 (2) |
| LAGB.SBPF.205.00 | KDF plaatstalen 3-gats flenslagerblok type SBPF 205, as Ø 25 mm | 15,41 (2) |



Bergh Special Products B.V.

T. 0031 314 359490

F. 0031 314 359240

info@berghspecialproducts.nl

www.rolstoelonderdelen.nl

| | | |
|------------------|---|-----------|
| LAGB.SBPF.206.00 | KDF plaatstalen 3-gats flenslagerblok type SBPF 206, as Ø 30 mm | 21,18 (2) |
| LAGB.SBPF.207.00 | KDF plaatstalen 3-gats flenslagerblok type SBPF 207, as Ø 35 mm | 24,41 (2) |



8.312 KDF lagerblokken SBPLF

| | | |
|------------------|--|-----------|
| LAGB.SBPLF.201.0 | KDF plaatstalen 2-gats flenslagerblok type SBPLF 201, as Ø 12 mm | 11,20 (2) |
| LAGB.SBPLF.202.0 | KDF plaatstalen 2-gats flenslagerblok type SBPLF 202, as Ø 15 mm | 13,47 (2) |
| LAGB.SBPLF.203.0 | KDF plaatstalen 2-gats flenslagerblok type SBPLF 203, as Ø 17 mm | 11,72 (2) |
| LAGB.SBPLF.204.0 | KDF plaatstalen 2-gats flenslagerblok type SBPLF 204, as Ø 20 mm | 11,26 (2) |
| LAGB.SBPLF.205.0 | KDF plaatstalen 2-gats flenslagerblok type SBPLF 205, as Ø 25 mm | 14,10 (2) |
| LAGB.SBPLF.206.0 | KDF plaatstalen 2-gats flenslagerblok type SBPLF 206, as Ø 30 mm | 17,43 (2) |
| LAGB.SBPLF.207.0 | KDF plaatstalen 2-gats flenslagerblok type SBPLF 207, as Ø 35 mm | 21,13 (2) |



8.313 KDF lagerblokken SBPP

| | | |
|------------------|---|-----------|
| LAGB.SBPP.201.00 | KDF plaatstalen kussenblok type SBPP 201 verzinkt, as Ø 12 mm | 11,89 (2) |
| LAGB.SBPP.202.00 | KDF plaatstalen kussenblok type SBPP 202 verzinkt, as Ø 15 mm | 11,49 (2) |
| LAGB.SBPP.203.00 | KDF plaatstalen kussenblok type SBPP 203 verzinkt, as Ø 17 mm | 12,41 (2) |
| LAGB.SBPP.204.00 | KDF plaatstalen kussenblok type SBPP 204 verzinkt, as Ø 20 mm | 10,89 (2) |
| LAGB.SBPP.204.04 | Plaatstalen kussenblok type SBPP 204 verzinkt, as Ø 20 mm | 6,57 (2) |
| LAGB.SBPP.205.00 | KDF plaatstalen kussenblok type SBPP 205 verzinkt, as Ø 25 mm | 14,92 (2) |
| LAGB.SBPP.206.00 | KDF plaatstalen kussenblok type SBPP 206 verzinkt, as Ø 30 mm | 18,63 (2) |
| LAGB.SBPP.207.00 | KDF plaatstalen kussenblok type SBPP 207 verzinkt, as Ø 35 mm | 21,86 (2) |



8.314 KDF lagerblokken SBPTF

| | | |
|------------------|--|-----------|
| LAGB.SBPTF.201.0 | KDF plaatstalen 3-gats flenslagerblok type SBPTF 201, as Ø 12 mm | 11,56 (2) |
| LAGB.SBPTF.202.0 | KDF plaatstalen 3-gats flenslagerblok type SBPTF 202, as Ø 15 mm | 11,16 (2) |
| LAGB.SBPTF.203.0 | KDF plaatstalen 3-gats flenslagerblok type SBPTF 203, as Ø 17 mm | 12,08 (2) |
| LAGB.SBPTF.204.0 | KDF plaatstalen 3-gats flenslagerblok type SBPTF 204, as Ø 20 mm | 11,83 (2) |
| LAGB.SBPTF.205.0 | KDF plaatstalen 3-gats flenslagerblok type SBPTF 205, as Ø 25 mm | 14,07 (2) |
| LAGB.SBPTF.206.0 | KDF plaatstalen 3-gats flenslagerblok type SBPTF 206, as Ø 30 mm | 19,32 (2) |

LAGB.SBPTF.207.0 KDF plaatstalen 3-gats flenslagerblok type SBPTF 207, as Ø 35 mm

21,90 (2)



8.315 KDF lagerblokken UCF

LAGB.UCF.202.00 KDF gietijzer 4-gats flenslagerblok, type UCF 202, as Ø15 mm
LAGB.UCF.208.00 KDF gietijzer 4-gats flenslagerblok, type UCF 208, as Ø40 mm

15,37 (2)

26,91 (2)



8.316 KDF lagerblokken UCP

LAGB.UCP.0202.00 KDF gietijzer kussenblok type UCP 202, as Ø 15 mm
LAGB.UCP.0203.00 KDF gietijzer kussenblok type UCP 203, as Ø 17 mm
LAGB.UCP.0204.00 KDF gietijzer kussenblok type UCP 204, as Ø 20 mm
LAGB.UCP.0205.00 KDF gietijzer kussenblok type UCP 205, as Ø 25 mm
LAGB.UCP.0207.00 KDF gietijzer kussenblok type UCP 207, as Ø 35 mm
LAGB.UCP.0209.00 KDF gietijzer kussenblok type UCP 209, as Ø 45 mm
LAGB.UCP.0211.00 KDF gietijzer kussenblok type UCP 211, as Ø 55 mm
LAGB.UCP.0212.00 KDF gietijzer kussenblok type UCP 212, as Ø 60 mm
LAGB.UCP.0213.00 KDF gietijzer kussenblok type UCP 213, as Ø 65 mm
LAGB.UCP.0214.00 KDF gietijzer kussenblok type UCP 214, as Ø 70 mm
LAGB.UCP.0206.00 KDF gietijzer kussenblok type UCP 206, as Ø 30 mm
LAGB.UCP.0208.00 KDF gietijzer kussenblok type UCP 208, as Ø 40 mm
LAGB.UCP.0210.00 KDF gietijzer kussenblok type UCP 210, as Ø 50 mm

14,60 (2)

15,37 (2)

15,79 (2)

16,12 (2)

23,60 (2)

31,88 (2)

56,65 (2)

59,38 (2)

85,66 (2)

89,82 (2)

19,74 (2)

28,14 (2)

43,55 (2)



8.317 KDF lagerblokken UCT

LAGB.UCT.0210.00 KDF gietijzer spanlagerblok type UCT 210, as Ø 50 mm

38,85 (2)


8.318 KDF lagerblokken UFL

| | | |
|-----------------|--|-----------|
| LAGB.UFL.001.00 | KDF Alu 2-gats flenslagerblok type UFL 001, as Ø 12 mm | 9,69 (2) |
| LAGB.UFL.002.00 | KDF Alu 2-gats flenslagerblok type UFL 002, as Ø 15 mm | 11,23 (2) |
| LAGB.UFL.003.00 | KDF Alu 2-gats flenslagerblok type UFL 003, as Ø 17 mm | 11,06 (2) |
| LAGB.UFL.004.00 | KDF Alu 2-gats flenslagerblok type UFL 004, as Ø 20 mm | 18,03 (2) |
| LAGB.UFL.005.00 | KDF Alu 2-gats flenslagerblok type UFL 005, as Ø 25 mm | 18,88 (2) |
| LAGB.UFL.006.00 | KDF Alu 2-gats flenslagerblok type UFL 006, as Ø 30 mm | 22,46 (2) |


8.319 KDF lagerblokken UP

| | | |
|------------------|---|------------|
| LAGB.UP.001.00 | KDF Alu kussenblok type UP 001, as Ø12 mm | 13,99 (2) |
| LAGB.UP.002.00 | KDF Alu kussenblok type UP 002, as Ø15 mm | 14,72 (2) |
| LAGB.UP.003.00 | KDF Alu kussenblok type UP 003, as Ø17 mm | 20,83 (2) |
| LAGB.UP.004.00 | KDF Alu kussenblok type UP 004, as Ø20 mm | 21,15 (2) |
| LAGB.UP.005.00 | KDF Alu kussenblok type UP 005, as Ø25 mm | 22,16 (2) |
| LAGB.UCFC.204.00 | KDF gietijzer 4-gats flenslagerblok, type UCFC 204, as Ø20 mm, single verpakking | 11,61 (2) |
| LAGB.UCFC.205.00 | KDF gietijzer 4-gats flenslagerblok, type UCFC 205, as Ø25 mm, single verpakking | 11,71 (2) |
| LAGB.UCFC.206.00 | KDF gietijzer 4-gats flenslagerblok UCFC 206, as, Ø 30 mm, single verpakking | 16,08 (2) |
| LAGB.UCFC.207.00 | KDF gietijzer 4-gats flenslagerblok type UCFC 207, as, Ø 35 mm, single verpakking | 18,52 (2) |
| LAGB.UCFC.208.00 | KDF gietijzer 4-gats flenslagerblok type UCFC 208, as, Ø 40 mm, single verpakking | 24,26 (2) |
| LAGB.UCFC.209.00 | KDF gietijzer 4-gats flenslagerblok type UCFC 209, as, Ø 45 mm, single verpakking | 31,61 (2) |
| LAGB.UCFC.210.00 | KDF gietijzer 4-gats flenslagerblok type UCFC 210, as, Ø 50 mm, single verpakking | 42,37 (2) |
| LAGB.UCFC.211.00 | KDF gietijzer 4-gats flenslagerblok type UCFC 211, as, Ø 55 mm, single verpakking | 45,64 (2) |
| LAGB.UCFC.212.00 | KDF gietijzer 4-gats flenslagerblok type UCFC 212, as, Ø 60 mm, single verpakking | 53,32 (2) |
| LAGB.UCFC.213.00 | KDF gietijzer 4-gats flenslagerblok type UCFC 213, as, Ø 65 mm, single verpakking | 83,76 (2) |
| LAGB.UCFC.214.00 | KDF gietijzer 4-gats flenslagerblok type UCFC 214, as, Ø 70 mm, single verpakking | 112,29 (2) |
| LAGB.UCFC.215.00 | KDF gietijzer 4-gats flenslagerblok type UCFC 215, as, Ø 75 mm, single verpakking | 127,18 (2) |
| LAGB.UCFC.216.00 | KDF gietijzer 4-gats flenslagerblok type UCFC 216, as, Ø 80 mm, single verpakking | 135,80 (2) |
| LAGB.UCFC.217.00 | KDF gietijzer 4-gats flenslagerblok type UCFC 217, as, Ø 85 mm, single verpakking | 161,70 (2) |
| LAGB.UCFC.218.00 | KDF gietijzer 4-gats flenslagerblok type UCFC 218, as, Ø 90 mm, single verpakking | 236,80 (2) |


8.321 TSC lagerblokken UCF

| | | |
|-----------------|---|------------|
| LAGB.UCF.203.01 | TSC gietijzer 4-gats flenslagerblok, type UCF 203, as, Ø17 mm | 8,83 (2) |
| LAGB.UCF.204.01 | TSC gietijzer 4-gats flenslagerblok, type UCF 204, as Ø20 mm | 8,83 (2) |
| LAGB.UCF.205.01 | TSC gietijzer 4-gats flenslagerblok, type UCF 205, as Ø25 mm | 9,42 (2) |
| LAGB.UCF.206.01 | TSC gietijzer 4-gats flenslagerblok, type UCF 206, as Ø30 mm | 12,80 (2) |
| LAGB.UCF.207.01 | TSC gietijzer 4-gats flenslagerblok, type UCF 207, as Ø35 mm | 16,16 (2) |
| LAGB.UCF.208.01 | TSC gietijzer 4-gats flenslagerblok, type UCF 208, as Ø40 mm | 21,01 (2) |
| LAGB.UCF.209.01 | TSC gietijzer 4-gats flenslagerblok, type UCF 209, as Ø45 mm | 23,74 (2) |
| LAGB.UCF.210.01 | TSC gietijzer 4-gats flenslagerblok, type UCF 210, as Ø50 mm | 28,90 (2) |
| LAGB.UCF.211.01 | TSC gietijzer 4-gats flenslagerblok, type UCF 211, as Ø55 mm | 33,56 (2) |
| LAGB.UCF.212.01 | TSC gietijzer 4-gats flenslagerblok, type UCF 212, as Ø60 mm | 45,68 (2) |
| LAGB.UCF.213.01 | TSC gietijzer 4-gats flenslagerblok, type UCF 213, as Ø65 mm | 57,74 (2) |
| LAGB.UCF.214.01 | TSC gietijzer 4-gats flenslagerblok, type UCF 214, as Ø70 mm | 74,52 (2) |
| LAGB.TFE.060.05 | INA gietijzer 4-gats flenslagerblok type TFE 60 as, Ø 60 mm | 404,62 (2) |


8.322 TSC lagerblokken UCFL

| | | |
|------------------|---|-----------|
| LAGB.UCFL.203.01 | TSC gietijzer 2-gats flenslagerblok type UCFL 203, as, Ø 17 mm | 8,83 (2) |
| LAGB.UCFL.204.01 | TSC gietijzer 2-gats flenslagerblok type UCFL 202, as, Ø 20 mm | 8,83 (2) |
| LAGB.UCFL.205.01 | TSC gietijzer 2-gats flenslagerblok type UCFL 205, as, Ø 25 mm | 9,42 (2) |
| LAGB.UCFL.206.01 | TSC gietijzer 2-gats flenslagerblok type UCFL 206, as, Ø 30 mm | 12,80 (2) |
| LAGB.UCFL.207.01 | TSC gietijzer 2-gats flenslagerblok type UCFL 207, as, Ø 35 mm | 16,16 (2) |
| LAGB.UCFL.208.01 | TSC gietijzer 2-gats flenslagerblok type UCFL 208, as, Ø 40 mm | 21,01 (2) |
| LAGB.UCFL.209.01 | TSC gietijzer 2-gats flenslagerblok type UCFL 209, as, Ø 45 mm | 23,74 (2) |
| LAGB.UCFL.210.01 | TSC gietijzer 2-gats flenslagerblok type UCFL 210, as, Ø 50 mm | 28,90 (2) |
| LAGB.UCFL.211.01 | TSC gietijzer 2-gats flenslagerblok type UCFL 211, as, Ø 55 mm | 33,56 (2) |
| LAGB.UCFL.201.00 | KDF gietijzer 2-gats flenslagerblok, type UCFL 201, as, Ø 12 mm | 13,91 (2) |
| LAGB.UCFL.202.00 | KDF gietijzer 2-gats flenslagerblok, type UCFL 202, as, Ø 15 mm | 14,64 (2) |
| LAGB.UCFL.202.04 | Gietijzer 2-gats flenslagerblok, type UCFL 202, as, Ø 15 mm | 8,47 (2) |
| LAGB.UCFL.203.00 | KDF gietijzer 2-gats flenslagerblok, type UCFL 203, as, Ø 17 mm | 15,37 (2) |
| LAGB.UCFL.204.00 | KDF gietijzer 2-gats flenslagerblok, type UCFL 204, as, Ø 20 mm | 15,79 (2) |
| LAGB.UCFL.205.00 | KDF gietijzer 2-gats flenslagerblok, type UCFL 205, as, Ø 25 mm | 16,12 (2) |
| LAGB.UCFL.206.00 | KDF gietijzer 2-gats flenslagerblok, type UCFL 206, as, Ø 30 mm | 19,79 (2) |
| LAGB.UCFL.207.00 | KDF gietijzer 2-gats flenslagerblok, type UCFL 207, as, Ø 35 mm | 23,60 (2) |
| LAGB.UCFL.208.00 | KDF gietijzer 2-gats flenslagerblok, type UCFL 208, as, Ø 40 mm | 25,57 (2) |
| LAGB.UCFL.209.00 | KDF gietijzer 2-gats flenslagerblok, type UCFL 209, as, Ø 45 mm | 31,88 (2) |
| LAGB.UCFL.210.00 | KDF gietijzer 2-gats flenslagerblok, type UCFL 210, as, Ø 50 mm | 43,55 (2) |
| LAGB.UCFL.211.00 | KDF gietijzer 2-gats flenslagerblok, type UCFL 211, as, Ø 55 mm | 56,65 (2) |
| LAGB.UCFL.212.00 | KDF gietijzer 2-gats flenslagerblok, type UCFL 212, as, Ø 60 mm | 59,38 (2) |



| | | |
|------------------|---|------------|
| LAGB.UCFL.212.01 | TSC gietijzer 2-gats flenslagerblok type UCFL 212, as, Ø 60 mm | 45,68 (2) |
| LAGB.UCFL.213.00 | KDF gietijzer 2-gats flenslagerblok, type UCFL 213, as, Ø 65 mm | 85,66 (2) |
| LAGB.UCFL.214.00 | KDF gietijzer 2-gats flenslagerblok, type UCFL 214, as, Ø 70 mm | 89,82 (2) |
| LAGB.UCFL.215.00 | KDF gietijzer 2-gats flenslagerblok, type UCFL 215, as, Ø 75 mm | 111,31 (2) |
| LAGB.UCFL.216.00 | KDF gietijzer 2-gats flenslagerblok, type UCFL 216, as, Ø 80 mm | 158,62 (2) |
| LAGB.UCFL.217.00 | KDF gietijzer 2-gats flenslagerblok, type UCFL 217, as, Ø 85 mm | 177,12 (2) |
| LAGB.UCFL.218.00 | KDF gietijzer 2-gats flenslagerblok, type UCFL 218, as, Ø 90 mm | 317,56 (2) |



8.323 TSC lagerblokken UCP

| | | |
|------------------|--|-----------|
| LAGB.UCP.0203.01 | TSC gietijzer kussenblok type UCP 203, as, Ø 17 mm | 8,83 (2) |
| LAGB.UCP.0204.01 | TSC gietijzer kussenblok type UCP 204, as, Ø 20 mm | 8,83 (2) |
| LAGB.UCP.0205.01 | TSC gietijzer kussenblok type UCP 205, as, Ø 25 mm | 9,92 (2) |
| LAGB.UCP.0206.01 | TSC gietijzer kussenblok type UCP 206, as, Ø 30 mm | 12,80 (2) |
| LAGB.UCP.0206.04 | Gietijzer kussenblok, type UCP 206, as Ø30 mm | 8,72 (2) |
| LAGB.UCP.0207.01 | TSC gietijzer kussenblok type UCP 207, as, Ø 35 mm | 16,16 (2) |
| LAGB.UCP.0208.01 | TSC gietijzer kussenblok type UCP 208, as, Ø 40 mm | 21,01 (2) |
| LAGB.UCP.0209.01 | TSC gietijzer kussenblok type UCP 209, as, Ø 45 mm | 23,74 (2) |
| LAGB.UCP.0210.01 | TSC gietijzer kussenblok type UCP 210, as, Ø 50 mm | 28,90 (2) |
| LAGB.UCP.0211.01 | TSC gietijzer kussenblok type UCP 211, as, Ø 55 mm | 33,56 (2) |
| LAGB.UCP.0212.01 | TSC gietijzer kussenblok type UCP 212, as, Ø 60 mm | 45,68 (2) |
| LAGB.UCP.0213.01 | TSC gietijzer kussenblok type UCP 213, as, Ø 65 mm | 57,74 (2) |
| LAGB.UCP.0214.01 | TSC gietijzer kussenblok type UCP 214, as, Ø 70 mm | 74,52 (2) |



8.324 TSC lagerblokken UCT

| | | |
|------------------|--|-----------|
| LAGB.UCT.204.B1 | TSC gietijzer hanglagerblok type UCT 202, as, Ø 20 mm, bulk, verpakt per 45 stuks | 5,92 (2) |
| LAGB.UCT.205.B1 | TSC gietijzer hanglagerblok type UCT 205, as, Ø 25 mm, bulk, verpakt per 35 stuks | 5,31 (2) |
| LAGB.UCT.206.B1 | TSC gietijzer hanglagerblok type UCT 206, as, Ø 30 mm, bulk, verpakt per 24 stuks | 8,07 (2) |
| LAGB.UCT.207.B1 | TSC gietijzer hanglagerblok type UCT 207, as, Ø 35 mm, bulk, verpakt per 20 stuks | 9,78 (2) |
| LAGB.UCT.208.B1 | TSC gietijzer hanglagerblok type UCT 208, as, Ø 40 mm, bulk, verpakt per 15 stuks | 12,71 (2) |
| LAGB.UCT.209.B1 | TSC gietijzer hanglagerblok type UCT 209, as, Ø 45 mm, bulk, verpakt per 12 stuks | 14,33 (2) |
| LAGB.UCT.210.B1 | TSC gietijzer hanglagerblok type UCT 210, as, Ø 50 mm, bulk, verpakt per 12 stuks | 17,02 (2) |
| LAGB.UCT.211.B1 | TSC gietijzer hanglagerblok type UCT 211, as, Ø 55 mm, bulk, verpakt per 7 stuks | 22,23 (2) |
| LAGB.UCT.212.B1 | TSC gietijzer hanglagerblok type UCT 212, as, Ø 60 mm, bulk, verpakt per 5 stuks | 27,31 (2) |
| LAGB.UCFC.204.B1 | TSC gietijzer 4-gats flenslagerblok, type UCFC 204, as Ø20 mm, bulk, verpakt per 32 stuks | 5,39 (2) |
| LAGB.UCFC.205.B1 | TSC gietijzer 4-gats flenslagerblok, type UCFC 205, as Ø25 mm, bulk, verpakt per 24 stuks | 6,56 (2) |
| LAGB.UCFC.206.B1 | TSC gietijzer 4-gats flenslagerblok type UCFC 206, as, Ø 30 mm, bulk, verpakt per 20 stuks | 8,56 (2) |
| LAGB.UCFC.207.B1 | TSC gietijzer 4-gats flenslagerblok type UCFC 207, as, Ø 35 mm, bulk, verpakt per 16 stuks | 10,33 (2) |
| LAGB.UCFC.208.B1 | TSC gietijzer 4-gats flenslagerblok type UCFC 208, as, Ø 40 mm, bulk, verpakt per 10 stuks | 13,49 (2) |
| LAGB.UCFC.209.B1 | TSC gietijzer 4-gats flenslagerblok type UCFC 209, as, Ø 45 mm, bulk, verpakt per 8 stuks | 15,18 (2) |



Bergh Special Products B.V.

T. 0031 314 359490

F. 0031 314 359240

info@berghspecialproducts.nl

www.rolstoelonderdelen.nl

| | | |
|------------------|---|-----------|
| LAGB.UCFC.210.B1 | TSC gietijzer 4-gats flenslagerblok type UCFC 210, as, Ø 50 mm, bulk, verpakt per 8 stuks | 18,04 (2) |
| LAGB.UCFC.211.B1 | TSC gietijzer 4-gats flenslagerblok type UCFC 211, as, Ø 55 mm, bulk, verpakt per 6 stuks | 23,59 (2) |
| LAGB.UCFC.212.B1 | TSC gietijzer 4-gats flenslagerblok type UCFC 212, as, Ø 60 mm, bulk, verpakt per 4 stuks | 29,00 (2) |

8.400 Kogelgewrichten en onderdelen



8.410 Kogelgewrichten haaks



Kogelgewricht

| | | |
|------------------|---|-------|
| A.KG.M05R22VZ001 | Kogelgewricht M5 x 22, form CS, vlgs DIN 71802, blauw/wit verzinkt, incl. moer | 1,91 |
| A.KG.M05L22VZ001 | Kogelgewricht M5 x 22, links, form CS, vlgs DIN 71802, blauw/wit verzinkt, incl. moer | 2,10 |
| A.KG.M06R25SS001 | Kogelgewricht M6 x 25, form CS, vlgs DIN 71802, RVS (mat. 4305), incl. moer | 15,52 |
| A.KG.M06R25SS002 | Kogelgewricht M6 x 25, form CS, vlgs DIN 71802, RVS (mat. 4305) met stofkap, incl. moer | 16,33 |
| A.KG.M06R25VZ000 | Kogelgewricht M6 x 25, form CS, vlgs DIN 71802, blauw/wit verzinkt, incl. moer, ongemonteerd | 2,80 |
| A.KG.M06R25VZ001 | Kogelgewricht M6 x 25, form CS, vlgs DIN 71802, blauw/wit verzinkt, incl. moer | 2,51 |
| A.KG.M06L25VZ001 | Kogelgewricht M6 x 25, links, form CS, vlgs DIN 71802, blauw/wit verzinkt, incl. moer | 2,76 |
| A.KG.M06R30VZ009 | Kogelgewricht M6 x 30, form CS, vlgs DIN 71802, blauw/wit verzinkt | 0,00 |
| A.KG.M08R18KZ001 | Kogelgewricht M8 x 18, form B50, zwarte kunststof kogelpan met M 6, kogelpen met M 8 staal verzinkt | 1,62 |
| A.KG.M08R19VZ000 | Kogelgewricht M8 x 19, verzinkt, ongemonteerd | 3,48 |
| A.KG.M08R19VZ001 | Kogelgewricht M8 x 19, form CS, blauw/wit verzinkt, incl. moer | 2,72 |
| A.KG.M08R30SS001 | Kogelgewricht M8 x 30, RVS, incl. moer | 15,77 |
| A.KG.M08R30VS101 | Kogelgewricht M8 x 30, form CS, vlgs DIN 71802, kogelpan zwart verzinkt, kogelpen RVS | 4,54 |
| A.KG.M08R30VZ000 | Kogelgewricht M8 x 30, form CS, vlgs DIN 71802, blauw/wit verzinkt, ongemonteerd | 3,68 |



Bergh Special Products B.V.

T. 0031 314 359490

F. 0031 314 359240

info@berghspecialproducts.nl

www.rolstoelonderdelen.nl

| | | |
|------------------|--|-------|
| A.KG.M08R30VZ001 | Kogelgewricht M8 x 30, form CS, vlgs DIN 71802, blauw/wit verzinkt, incl. moer | 2,73 |
| A.KG.M08L30VZ001 | Kogelgewricht M8 x 30, form CS, vlgs DIN 71802, blauw/wit verzinkt, incl. moer, linkse inwendige dra | 4,61 |
| A.KG.M08R30VZ1S1 | Kogelgewricht M8 x 30, form CS, vlgs DIN 71802, kogelpan zwart verzinkt | 3,98 |
| A.KG.M08R30VZ101 | Kogelgewricht M8x30, form CS, vlgs DIN 71802, zwart verzinkt, incl. moer. Uitlopend artikel !!! | 3,16 |
| A.KG.M10R30VZ000 | Kogelgewricht M10 x 30, met M8 inwendige draad, verzinkt | 10,04 |
| A.KG.M10R35SS001 | Kogelgewricht M10 x 35, RVS 316, incl. moer | 25,47 |
| A.KG.M10R35VZ001 | Kogelgewricht M10 x 35, form CS, vlgs DIN 71802, blauw/wit verzinkt, incl. moer | 4,20 |
| A.KG.M10L35VZ001 | Kogelgewricht M10 x 35, links, form CS, vlgs DIN 71802, blauw/wit verzinkt, incl. moer | 4,20 |
| A.KG.M12R35VZ001 | Kogelgewricht M12 x 35, form CS, vlgs DIN 71802, blauw/wit verzinkt, incl moer | 4,55 |
| A.KG.M14R45SS001 | Kogelgewricht M14x1.5x45, form CS, vlgs DIN 71802, RVS (4305), incl. moer | 64,14 |
| A.KG.M16R45VZ001 | Kogelgewricht M16 x 45, form CS, vlgs DIN 71802, blauw/wit verzinkt, incl. moer | 11,87 |



Kogelgewricht 6-kant

| | | |
|------------------|--|-------|
| A.KG.M06R25VZ006 | Kogelgewricht M6 x 25, form CS, vlgs DIN 71802, 6-kantaansluitng, blauw/wit verzinkt, incl. moer | 2,36 |
| A.KG.M08R30VZ006 | Kogelgewricht M8 x 30, form CS, vlgs DIN 71802, 6-kant aansluiting, blauw/wit verzinkt, incl. moer | 2,73 |
| A.KG.M10R35VZ006 | Kogelgewricht M10 x 35, form CS, vlgs DIN 71802, 6-kantaansluiting, blauw/wit verzinkt, incl. moer | 5,02 |
| A.KG.M14R45VZ006 | Kogelgewricht M14 x 45 x 1.5, form CS, vlgs DIN 71802, 6-kantaansluiting, blauw/wit verzinkt, incl. | 9,71 |
| A.KG.M14R45VZ016 | Kogelgewricht M14 x 45 x 2, form CS, vlgs DIN 71802, 6-kantaansluiting, blauw/wit verzinkt, incl. mo | 10,20 |



Kogelgewricht met stofkap

| | | |
|------------------|--|------|
| A.KG.M06R25VZ002 | Kogelgewricht M6 x 25, form CS, vlgs DIN 71802, met stofkap, blauw/wit verzinkt, incl. moer | 3,22 |
| A.KG.M10R35VZ002 | Kogelgewricht M10 x 35, form CS, vlgs DIN 71802, met stofkap, blauw/wit verzinkt, incl. moer | 5,59 |



Kogelgewricht 6-kant met stofkap

| | | |
|------------------|---|------|
| A.KG.M08L30VZ007 | Kogelgewricht M8 x 30, inks, form CS, vlgs DIN 71802, met stofkap, 6-kantaansluiting, blauw/wit verz. | 5,97 |
| A.KG.M08R30VZ007 | Kogelgewricht M8 x 30, form CS, vlgs DIN 71802, met stofkap, 6-kantaansluiting, blauw/wit verzinkt | 5,44 |
| A.KG.M10R35VZ007 | Kogelgewricht M10 x 35, form CS, vlgs DIN 71802, met stofkap, 6-kantaansluiting, blauw/wit verzinkt | 5,59 |


8.420 Kogelgewrichten axiaal

| | | |
|------------------|--|-------|
| A.KG.M05R22BL008 | Axiaal Kogelgewricht M5 x 22, form C, gelijkend DIN 71802, blank, incl. moer, ongemonteerd | 4,31 |
| A.KG.M05R22VZ008 | Axiaal Kogelgewricht M5 x 22, form C, gelijkend DIN 71802, blauw/wit verzinkt incl. moer | 7,88 |
| A.KG.M06R25VZ008 | Axiaal Kogelgewricht M6 x 25, form C, gelijkend DIN 71802, blauw/wit verzinkt incl. moer | 8,45 |
| A.KG.M08R30VZ008 | Axiaal Kogelgewricht M8 x 30, form C, gelijkend DIN 71802 (d1 13 mm), blauw/wit verzinkt, incl. moer | 12,50 |
| A.KG.M10R35VZ008 | Axiaal Kogelgewricht M10 x 35, form C, gelijkend DIN 71802, blauw/wit verzinkt incl. moer | 17,59 |
| A.KG.M14R45VZ008 | Axiaal Kogelgewricht M14 x 45, form C, gelijkend DIN 71802, blauw/wit verzinkt, incl. moer | 36,82 |

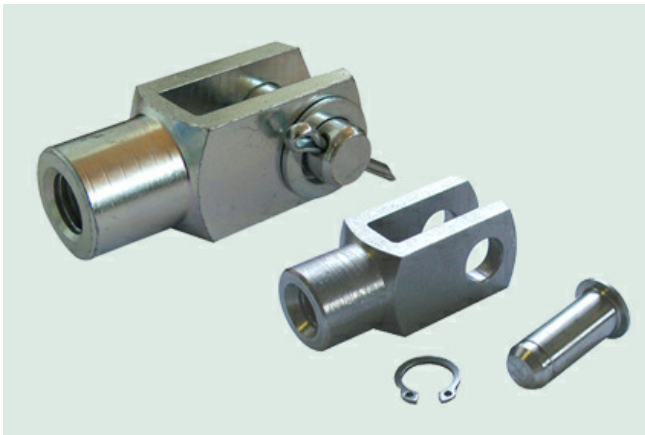
8.430 Kogelgewrichten LSK industrieel


| | | |
|------------------|--|-------|
| A.KG.RBI.M10.R01 | LSK axiaal kogelgewricht M10 x 1.25 RS, type SQZ 10 C-RS, equivalent voor THK...RBI | 12,75 |
| A.KG.RBI.M10.R02 | LSK axiaal kogelgewricht M10 x 1.5 RS, type SQZ 10 C-RS, equivalent voor THK...RBI | 13,42 |
| A.KG.RBI.M12.R01 | LSK axiaal kogelgewricht M12 x 1.75 RS, type SQZ 12 C-RS, equivalent voor THK...RBI | 16,24 |
| A.KG.RBI.M14.R01 | LSK axiaal kogelgewricht M14 x 2 RS, type SQZ 14 C-RS, equivalent voor THK...RBI | 20,29 |
| A.KG.RBI.M16.R01 | LSK axiaal kogelgewricht M16 x 2 RS, type SQZ 16 C-RS, equivalent voor THK...RBI | 24,70 |
| A.KG.RBI.M16.R02 | LSK axiaal kogelgewricht M16 x 1.5 RS, type SQZ 16 C-RS, equivalent voor THK...RBI | 23,67 |
| A.KG.RBI.M20.R02 | LSK axiaal kogelgewricht M20 x 1.5 RS, type SQZ 20 C-RS, equivalent voor THK...RBI | 51,89 |
| A.KG.RBL.M05.R01 | LSK radiaal kogelgewricht M5 x 0.8 RS, type SQ 5 C-RS, equivalent voor THK...RBL | 8,38 |
| A.KG.RBL.M06.R01 | LSK radiaal kogelgewricht M6 x 1 RS, type SQ 6 C-RS, equivalent voor THK...RBL | 8,56 |
| A.KG.RBL.M08.L01 | LSK radiaal kogelgewricht M8 (Links) x 1.25 RS, type SQL 8 C-RS, equivalent voor THK...RBL | 7,90 |
| A.KG.RBL.M08.R01 | LSK radiaal kogelgewricht M8 x 1.25 RS, type SQ 8 C-RS, equivalent voor THK...RBL | 8,99 |
| A.KG.RBL.M10.L02 | LSK radiaal kogelgewricht M10 (Links) x 1.5 RS, type SQL10C-RS, equivalent voor THK...RBL | 13,01 |
| A.KG.RBL.M10.R01 | LSK radiaal kogelgewricht M10 x 1.25 RS, type SQ 10C-RS, equivalent voor THK...RBL | 9,18 |
| A.KG.RBL.M10.R02 | LSK radiaal kogelgewricht M10 x 1.5 RS, type SQ 10C-RS, equivalent voor THK...RBL | 13,01 |
| A.KG.RBL.M12.R01 | LSK radiaal kogelgewricht M12 x 1.75 RS, type SQ 12C-RS, equivalent voor THK...RBL | 16,65 |
| A.KG.RBL.M12.R02 | LSK radiaal kogelgewricht M12 x 1.25 RS, type SQ 12C-RS, equivalent voor THK...RBL | 13,67 |
| A.KG.RBL.M14.R01 | LSK radiaal kogelgewricht M14 x 1.5 RS, type SQ 14C-RS, equivalent voor THK...RBL | 17,49 |
| A.KG.RBL.M14.R02 | LSK radiaal kogelgewricht M14 x 2 RS, type SQ 14C-RS, equivalent voor THK...RBL | 19,62 |
| A.KG.RBL.M16.R01 | LSK radiaal kogelgewricht M16 x 2 RS, type SQ 16C-RS, equivalent voor THK...RBL | 32,41 |
| A.KG.RBL.M20.R01 | LSK radiaal kogelgewricht M20 x 2.5 RS, type SQ 20C-RS, equivalent voor THK...RBL | 34,03 |
| A.KG.RBI.M05.R01 | LSK axiaal kogelgewricht M5 x 0.8 RS, type SQZ 5 C-RS, equivalent voor THK...RBI | 8,45 |
| A.KG.RBI.M06.R01 | LSK axiaal kogelgewricht M6 x 1 RS, type SQZ 6 C-RS, equivalent voor THK...RBI | 8,64 |
| A.KG.RBI.M08.R01 | LSK axiaal kogelgewricht M8 x 1.25 RS, type SQZ 8 C-RS, equivalent voor THK...RBI | 9,07 |

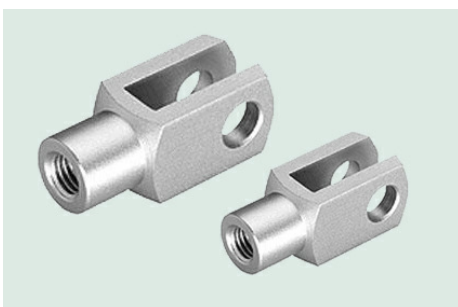
8.500 Overzicht stelgaffels en sluitingen



8.510 Stelgaffels en sets



De stelgaffels zijn leverbaar in geel of zwart verzinkt, geolied of in RVS



Stelgaffels (los)

| | | |
|------------------|---|------|
| A.SG.M04.08SS000 | Stelgaffel M4 x 8, vlgs DIN 71752, RVS/NIRO mat. 1.4305 | 4,74 |
| A.SG.M04.08VZ000 | Stelgaffel M4 x 8, form G, vlgs DIN 71752, blauw/wit verzinkt | 1,40 |
| A.SG.M04.08VZ00L | Stelgaffel M4 x 8, form G, vlgs DIN 71752, blauw/wit verzinkt, met linkse schroefdraad | 1,47 |
| A.SG.M04.16SS000 | Stelgaffel M4 x 16, vlgs DIN 71752, RVS/NIRO mat. 1.4305 | 0,00 |
| A.SG.M04.16VZ000 | Stelgaffel M4 x 16, form G, vlgs DIN 71752, blauw/wit verzinkt, met linkse schroefdraad | 1,64 |
| A.SG.M05.10SS000 | Stelgaffel M5 x 10, form G, vlgs DIN 71752, RVS/NIRO mat. 1.4305 | 4,95 |
| A.SG.M05.10VZ000 | Stelgaffel M5 x 10, form G, vlgs DIN 71752, blauw/wit verzinkt | 1,29 |
| A.SG.M05.10VZ00L | Stelgaffel M5 x 10, form G, vlgs DIN 71752, blauw/wit verzinkt, met linkse schroefdraad | 1,18 |
| A.SG.M05.20SS000 | Stelgaffel M5 x 20, form G, vlgs DIN 71752, RVS/NIRO mat. 1.4305 | 5,17 |
| A.SG.M05.20VZ000 | Stelgaffel M5 x 20, form G, vlgs DIN 71752, blauw/wit verzinkt | 1,29 |
| A.SG.M05.20VZ00L | Stelgaffel M5 x 20, form G, vlgs DIN 71752, blauw/wit verzinkt, met linkse schroefdraad | 1,35 |
| A.SG.M06.12SS000 | Stelgaffel M6 x 12, form G, vlgs DIN 71752, RVS/NIRO mat. 1.4305 | 5,21 |
| A.SG.M06.12VZ000 | Stelgaffel M6 x 12, form G, vlgs DIN 71752, blauw/wit verzinkt | 1,16 |
| A.SG.M06.12VZ00L | Stelgaffel M6 x 24, form G, vlgs DIN 71752, blauw/wit verzinkt, met linkse schroefdraad | 1,22 |



Bergh Special Products B.V.

T. 0031 314 359490

F. 0031 314 359240

info@berghspecialproducts.nl

www.rolstoelonderdelen.nl

| | | |
|------------------|--|--------|
| A.SG.M06.12VZS00 | Stelgaffel M6 x 12, met 1x boring 6H9 en 1 x 10, 1speciaal, verzinkt | 1,68 |
| A.SG.M06.24SS000 | Stelgaffel M6 x 24, form G, vlgs DIN 71752, RVS/NIRO mat. 1.4305 | 5,60 |
| A.SG.M06.24VZ000 | Stelgaffel M6 x 24, form G, vlgs DIN 71752, blauw/wit verzinkt | 1,25 |
| A.SG.M06.24VZ00L | Stelgaffel M6 x 24, form G, vlgs DIN 71752, blauw/wit verzinkt, met linkse schroefdraad | 1,31 |
| A.SG.M08.16BL000 | Stelgaffel M8 x 16, form G, vlgs DIN 71752, blank/onbehandeld | 1,42 |
| A.SG.M08.16SS000 | Stelgaffel M8 x 16, vlgs DIN 71752, RVS/NIRO mat. 1.4305 | 9,65 |
| A.SG.M08.16VZ000 | Stelgaffel M8 x 16, form G, vlgs DIN 71752, blauw/wit verzinkt | 1,46 |
| A.SG.M08.16VZ00L | Stelgaffel M8 x 16, form G, vlgs DIN 71752, blauw/wit verzinkt, met linkse schroefdraad | 1,48 |
| A.SG.M08.16VZ0S0 | Stelgaffel M8 x 16, form G, vlgs DIN 71752 met borggat, blauw/wit verzinkt | 3,18 |
| A.SG.M08.16VZ100 | Stelgaffel M8 x 16, form G, vlgs DIN 71752, zwart verzinkt | 1,56 |
| A.SG.M08.16VZ300 | Stelgaffel M8 x 16, form G, vlgs DIN 71752, Zink-Eisen zwart | 1,47 |
| A.SG.M08.32SS000 | Stelgaffel M8 x 32, vlgs DIN 71752, RVS/NIRO mat. 1.4305 | 0,09 |
| A.SG.M08.32VZ000 | Stelgaffel M8 x 32, form G, vlgs DIN 71752, blauw/wit verzinkt | 1,89 |
| A.SG.M08.32VZ00L | Stelgaffel M8 x 32, form G, vlgs DIN 71752, blauw/wit verzinkt, met linkse schroefdraad | 1,97 |
| A.SG.M10.20SS000 | Stelgaffel M10 x 20, vlgs DIN 71752, RVS/NIRO mat. 1.4305 | 15,28 |
| A.SG.M10.20SS010 | Stelgaffel M10 x 20 x 1.25, vlgs DIN 71752, RVS/NIRO mat. 1.4305 | 9,43 |
| A.SG.CS.M10.VZ00 | Stelgaffel contrastuk M10 x 20, blauw/wit verzinkt | 3,51 |
| A.SG.M10.20VZ000 | Stelgaffel M10 x 20, form G, vlgs DIN 71752, blauw/wit verzinkt | 2,42 |
| A.SG.M10.20VZ00L | Stelgaffel M10 x 20, form G, vlgs DIN 71752, blauw/wit verzinkt, met linkse schroefdraad | 2,53 |
| A.SG.M10.20VZ010 | Stelgaffel M10 x 20 x 1.25, type CETOP, blauw/wit verzinkt | 2,53 |
| A.SG.M10.40SS000 | Stelgaffel M10 x 40, vlgs DIN 71752, RVS/NIRO mat. 1.4305 | 11,62 |
| A.SG.M10.40SS010 | Stelgaffel M10 x 40 x 1.25, vlgs DIN 71752, RVS/NIRO mat. 1.4305 | 0,00 |
| A.SG.M10.40VZ000 | Stelgaffel M10 x 40, form G, vlgs DIN 71752, blauw/wit verzinkt | 2,85 |
| A.SG.M10.40VZ020 | Stelgaffel M10 x 40 x 1, form G, vlgs DIN 71752, blauw/wit verzinkt | 3,23 |
| A.SG.M10.40VZ00L | Stelgaffel M10 x 40, form G, vlgs DIN 71752, blauw/wit verzinkt, met linkse schroefdraad | 2,98 |
| A.SG.M10.40VZ010 | Stelgaffel M10 x 40 x 1.25, type CETOP, blauw/wit verzinkt | 3,11 |
| A.SG.M12.24SS000 | Stelgaffel M12 x 24, vlgs DIN 71752, RVS/NIRO mat. 1.4305 | 23,86 |
| A.SG.M12.24SS010 | Stelgaffel M12 x 24 x 1.25, vlgs DIN 71752, RVS/NIRO mat. 1.4305 | 18,08 |
| A.SG.M12.24VZ000 | Stelgaffel M12 x 24, form G, vlgs DIN 71752, blauw/wit verzinkt | 3,00 |
| A.SG.M12.24VZ00L | Stelgaffel M12 x 24, form G, vlgs DIN 71752, blauw/wit verzinkt, met linkse schroefdraad | 3,35 |
| A.SG.M12.24VZ010 | Stelgaffel M12 x 24 x 1.25, type CETOP, blauw/wit verzinkt | 31,82 |
| A.SG.M12.48SS000 | Stelgaffel M12 x 48, vlgs DIN 71752, RVS/NIRO mat. 1.4305 | 0,29 |
| A.SG.M12.48SS010 | Stelgaffel M12x 48 x 1.25, vlgs DIN 71752, RVS/NIRO mat. 1.4305 | 0,00 |
| A.SG.M12.48VZ000 | Stelgaffel M12 x 48, form G, vlgs DIN 71752, blauw/wit verzinkt | 4,02 |
| A.SG.M12.48VZ00L | Stelgaffel M12 x 48, form G, vlgs DIN 71752, blauw/wit verzinkt, met linkse schroefdraad | 6,15 |
| A.SG.M12.48VZ010 | Stelgaffel M12x 48 x 1.25, type CETOP, blauw/wit verzinkt | 5,16 |
| A.SG.M14.28SS000 | Stelgaffel M14 x 28, vlgs DIN 71752, RVS/NIRO mat. 1.4305 | 26,27 |
| A.SG.M14.28SS010 | Stelgaffel M14x 28 x 1.5, form G, vlgs DIN 71752, RVS/NIRO mat. 1.4305 | 26,91 |
| A.SG.M14.28VZ000 | Stelgaffel M14 x 28, form G, vlgs DIN 71752, blauw/wit verzinkt | 4,63 |
| A.SG.M14.28VZ00L | Stelgaffel M14 x 28, form G, vlgs DIN 71752, blauw/wit verzinkt, met linkse schroefdraad | 4,86 |
| A.SG.M14.28VZ010 | Stelgaffel M14 x 28 x 1.5, type CETOP, blauw/wit verzinkt | 4,86 |
| A.SG.M14.56SS000 | Stelgaffel M14 x 56, form G, vlgs DIN 71752, RVS/NIRO mat. 1.4305 | 0,00 |
| A.SG.M14.56SS010 | Stelgaffel M14x1.5 x 56, vlgs DIN 71752, RVS/NIRO mat. 1.4305 | 0,00 |
| A.SG.M14.56VZ000 | Stelgaffel M14 x 56, form G, vlgs DIN 71752, blauw/wit verzinkt | 5,92 |
| A.SG.M14.56VZ00L | Stelgaffel M14 x 56, form G, vlgs DIN 71752, blauw/wit verzinkt, met linkse schroefdraad | 6,22 |
| A.SG.M14.56VZ010 | Stelgaffel M14x 56 x 1.5, type CETOP, blauw/wit verzinkt | 6,22 |
| A.SG.M16.32SS000 | Stelgaffel M16 x 32, vlgs DIN 71752, RVS/NIRO mat. 1.4305 | 27,77 |
| A.SG.M16.32SS010 | Stelgaffel M16 x 32 x 1.5, vlgs DIN 71752, RVS/NIRO mat. 1.4305 | 27,77 |
| A.SG.M16.32VZ000 | Stelgaffel M16 x 32, form G, vlgs DIN 71752, blauw/wit verzinkt | 7,86 |
| A.SG.M16.32VZ00L | Stelgaffel M16 x 32, form G, vlgs DIN 71752, blauw/wit verzinkt, met linkse schroefdraad | 8,24 |
| A.SG.M16.32VZ010 | Stelgaffel M16 x 32 x 1.5, type CETOP, blauw/wit verzinkt | 8,24 |
| A.SG.M16.64SS000 | Stelgaffel M16 x 64, vlgs DIN 71752, RVS/NIRO mat. 1.4305 | 0,00 |
| A.SG.M16.64SS010 | Stelgaffel M16 x 64 x 1.5, vlgs DIN 71752, RVS/NIRO mat. 1.4305 | 0,00 |
| A.SG.M16.64VZ000 | Stelgaffel M16 x 64, form G, vlgs DIN 71752, blauw/wit verzinkt | 10,94 |
| A.SG.M16.64VZ010 | Stelgaffel M16 x 64 x 1.5, type CETOP, blauw/wit verzinkt | 12,65 |
| A.SG.M18.36VZ000 | Stelgaffel M18 x 36, form G, vlgs DIN 71752, blauw/wit verzinkt | 0,00 |
| A.SG.M18.36VZ010 | Stelgaffel M18 x 36 x 1.5, type CETOP, blauw/wit verzinkt | 0,00 |
| A.SG.M20.40SS000 | Stelgaffel M20 x 40, vlgs DIN 71752, RVS/NIRO mat. 1.4305 | 105,35 |
| A.SG.M20.40SS010 | Stelgaffel M20 x 40 x 1.5, vlgs DIN 71752, RVS/NIRO mat. 1.4305 | 53,82 |



Bergh Special Products B.V.

T. 0031 314 359490

F. 0031 314 359240

info@berghspecialproducts.nl

www.rolstoelonderdelen.nl

| | | |
|------------------|--|-------|
| A.SG.M20.40VZ000 | Stelgaffel M20 x 40, form G, vlgs DIN 71752, blauw/wit verzinkt, schroefdraad M20x2,5 | 23,35 |
| A.SG.M20.40VZ00L | Stelgaffel M20 x 40, form G, vlgs DIN 71752, blauw/wit verzinkt, met linkse schroefdraad | 24,52 |
| A.SG.M20.40VZ010 | Stelgaffel M20 x 40 x 1.5, type CETOP, blauw/wit verzinkt | 24,64 |
| A.SG.M25.50VZ000 | Stelgaffel M25 x 50 x 3.0, form G, vlgs DIN 71752, blauw/wit verzinkt | 43,44 |
| A.SG.M25.50VZ00L | Stelgaffel M25 x 50 x 3.0, blauw/wit verzinkt, met linkse schroefdraad | 45,61 |
| A.SG.M25.50VZ010 | Stelgaffel M25 x 50 x 2.0, type CETOP, blauw/wit verzinkt | 71,24 |
| A.SG.M28.56VZ000 | Stelgaffel M28 x 56, form G, vlgs DIN 71752, blauw/wit verzinkt, schroefdraad M27x3 | 0,00 |
| A.SG.M30.54VZ010 | Stelgaffel M30 x 54, type CETOP, blauw/wit verzinkt, schroefdraad M27x2 | 66,50 |
| A.SG.M30.60VZ000 | Stelgaffel M30 x 60 x 3.5, form G, vlgs DIN 71752, blauw/wit verzinkt | 66,77 |
| A.SG.M35.72VZ010 | Stelgaffel M35 x 72, type CETOP, blauw/wit verzinkt, schroefdraad M36x2 | 97,49 |
| A.SG.M36.72VZ000 | Stelgaffel M36 x 72 x 4.0, form G, vlgs DIN 71752, blauw/wit verzinkt | 0,00 |
| A.SG.M40.84VZ010 | Stelgaffel M40 x 84, type CETOP, blauw/wit verzinkt, schroefdraad M42x2 | 0,00 |
| A.SG.M42.84VZ000 | Stelgaffel M42 x 84 x 4.5, form G, vlgs DIN 71752, blauw/wit verzinkt | 0,00 |



Stelgaffelsets met snelsluiting

| | | |
|------------------|---|------|
| A.SG.M05.10VZ002 | Stelgaffelset M5 x 10 met snelsluiting, verzinkt, ongemonteerd | 1,87 |
| A.SG.M05.20VZ002 | Stelgaffelset M5 x 20 met snelsluiting, verzinkt, ongemonteerd | 1,98 |
| A.SG.M06.12VZ002 | Stelgaffelset M6 x 12 met snelsluiting verzinkt, ongemonteerd | 1,65 |
| A.SG.M06.24VZ002 | Stelgaffelset M6 x 24 met snelsluiting verzinkt, ongemonteerd | 1,72 |
| A.SG.M08.16VZ002 | Stelgaffelset M8 x 16 met snelsluiting, verzinkt, ongemonteerd | 2,04 |
| A.SG.M08.16VZ02L | Stelgaffelset M8 x 16 met snelsluiting, verzinkt, met linkse schroefdraad, ongemonteerd | 2,09 |
| A.SG.M08.32VZ002 | Stelgaffelset M8 x 32 met snelsluiting, verzinkt, ongemonteerd | 2,48 |
| A.SG.M10.20VZ002 | Stelgaffelset M10 x 20 met snelsluiting, verzinkt, ongemonteerd | 3,16 |
| A.SG.M10.40VZ002 | Stelgaffelset M10 x 40 met snelsluiting, verzinkt, ongemonteerd | 4,55 |



Stelgaffelsets met splitpen

| | | |
|------------------|---|-------|
| A.SG.M08.16VZ003 | Stelgaffelset M8 x 16 met splitpen, blauw/wit verzinkt, ongemonteerd | 2,41 |
| A.SG.M08.32VZ003 | Stelgaffelset M8 x 32 met splitpen, verzinkt, ongemonteerd | 2,84 |
| A.SG.M12.48VZ003 | Stelgaffelset M12 x 48 met splitpen, blauw/wit verzinkt, ongemonteerd | 5,85 |
| A.SG.M14.28SS003 | Stelgaffelset M14 x 28 met splitpen, RVS/NIRO, ongemonteerd | 52,79 |



Bergh Special Products B.V.

T. 0031 314 359490

F. 0031 314 359240

info@berghspecialproducts.nl

www.rolstoelonderdelen.nl



Stelgaffelsets met kopgaffelpen en SL-clip

| | | |
|------------------|--|------|
| A.SG.M10.20VZ004 | Stelgaffelset M10 x 20 met kopgaffelpen en SL-clip, verzinkt, ongemonteerd | 3,35 |
| A.SG.M10.40VZ004 | Stelgaffelset M10 x 40 met kopgaffelpen en SL-clip, verzinkt, ongemonteerd | 3,80 |



Stelgaffelsets met kopgaffelpen en zekeringsring

| | | |
|------------------|--|--------|
| A.SG.M08.16SS005 | Stelgaffelset M8 x 16 met kopgaffelpen en zekeringsring, RVS (mat 4305), ongemonteerd | 10,76 |
| A.SG.M10.20SS005 | Stelgaffelset M10 x 20 met kopgaffelpen en zekeringsring, RVS (mat 4305), ongemonteerd | 16,36 |
| A.SG.M14.28SS005 | Stelgaffelset M14 x 28 met kopgaffelpen en zekeringsring, RVS, ongemonteerd | 44,77 |
| A.SG.M20.40SL005 | Stelgaffelset M20 x 40 met kopgaffelpen en zekeringsring, RVS (mat 4305), linkse draad, ongemonteerd | 140,85 |
| A.SG.M20.40SS005 | Stelgaffelset M20 x 40 met kopgaffelpen en zekeringsring, RVS (mat 4305), ongemonteerd | 140,85 |



8.520 Snelsluiters

| | | |
|------------------|---|-------|
| A.SS.M04.08VZ000 | Snelsluiting M4 x 8, type Es-Bolzen vlg. ES-norm 01, blauw/wit verzinkt | 0,64 |
| A.SS.M05.10VZ000 | Snelsluiting M5 x 10, type Es-Bolzen vlg. ES-norm 01, blauw/wit verzinkt | 0,65 |
| A.SS.M05.20VZ000 | Snelsluiting M5 x 20, type Es-Bolzen vlg. ES-norm 01, blauw/wit verzinkt | 0,68 |
| A.SS.M06.12VZ000 | Snelsluiting M6 x 12, type Es-Bolzen vlg. ES-norm 01, blauw/wit verzinkt | 0,49 |
| A.SS.M06.24VZ000 | Snelsluiting M6 x 24, type Es-Bolzen vlg. ES-norm 01, blauw/wit verzinkt | 0,49 |
| A.SS.M08.16BL000 | Snelsluiting M8 x 16, type Es-Bolzen vlg. ES-norm 01, blank/onbehandeld | 0,57 |
| A.SS.M08.16VZ000 | Snelsluiting M8 x 16, type Es-Bolzen vlg. ES-norm 01, blauw/wit verzinkt | 0,57 |
| A.SS.M08.16VZ100 | Snelsluiting M8 x 16, type Es-Bolzen vlg. ES-norm 01, zwart verzinkt | 0,51 |
| A.SS.M08.32VZ000 | Snelsluiting M8 x 32, type Es-Bolzen vlg. ES-norm 01, blauw/wit verzinkt | 0,59 |
| A.SS.M10.20VZ000 | Snelsluiting M10 x 20, type Es-Bolzen vlg. ES-norm 01, blauw/wit verzinkt | 0,75 |
| A.SS.M10.40VZ000 | Snelsluiting M10 x 40, type Es-Bolzen vlg. ES-norm 01, blauw/wit verzinkt | 1,59 |
| A.SS.M12.24VZ000 | Snelsluiting M12 x 24, type Es-Bolzen vlg. ES-norm 01, blauw/wit verzinkt | 1,13 |
| A.SS.M12.48VZ000 | Snelsluiting M12 x 48, type Es-Bolzen vlg. ES-norm 01, blauw/wit verzinkt | 1,47 |
| A.SS.M14.28VZ000 | Snelsluiting M14 x 28, type Es-Bolzen vlg. ES-norm 01, blauw/wit verzinkt | 3,28 |
| A.SS.M14.56VZ000 | Snelsluiting M14 x 56, type Es-Bolzen vlg. ES-norm 01, blauw/wit verzinkt | 3,48 |
| A.SS.M16.32VZ000 | Snelsluiting M16 x 32, type Es-Bolzen vlg. ES-norm 01, blauw/wit verzinkt | 2,68 |
| A.SS.M16.64VZ000 | Snelsluiting M16 x 64, type Es-Bolzen vlg. ES-norm 01, blauw/wit verzinkt | 10,22 |
| A.SS.M20.40VZ000 | Snelsluiting M20 x 40, type Es-Bolzen vlg. ES-norm 01, blauw/wit verzinkt | 5,05 |



8.530 KL-clips

| | | |
|------------------|--|------|
| A.SG.KLC.04.VZ00 | KL-clip, type KL 4, blauw/wit verzinkt | 0,16 |
| A.SG.KLC.05.VZ00 | KL-clip, type KL 5, blauw/wit verzinkt | 0,19 |
| A.SG.KLC.06.VZ00 | KL-clip, type KL 6, blauw/wit verzinkt | 0,20 |
| A.SG.KLC.08.VZ00 | KL-clip, type KL 8, blauw/wit verzinkt | 0,20 |
| A.SG.KLC.10.VZ00 | KL-clip, type KL10, blauw/wit verzinkt | 0,28 |
| A.SG.KLC.12.VZ00 | KL-clip, type KL12, blauw/wit verzinkt | 0,29 |
| A.SG.KLC.14.VZ00 | KL-clip, type KL14, blauw/wit verzinkt | 0,00 |
| A.SG.KLC.16.VZ00 | KL-clip, type KL16, blauw/wit verzinkt | 0,61 |
| A.SG.KLC.24.VZ00 | KL-clip, type KL24, blauw/wit verzinkt | 0,91 |



8.540 SL-clips

| | | |
|------------------|---|------|
| A.SG.SLC.04.VZ00 | SL-clip, type SL 4, blauw/wit verzinkt | 0,24 |
| A.SG.SLC.05.VZ00 | SL-clip, type SL 5, blauw/wit verzinkt | 0,16 |
| A.SG.SLC.06.VZ00 | SL-clip, type SL 6, blauw/wit verzinkt | 0,18 |
| A.SG.SLC.08.VZ00 | SL-clip, type SL 8, blauw/wit verzinkt | 0,12 |
| A.SG.SLC.10.VZ00 | SL-clip, type SL 10, blauw/wit verzinkt | 0,23 |
| A.SG.SLC.12.VZ00 | SL-clip, type SL 12, blauw/wit verzinkt | 0,43 |
| A.SG.SLC.14.VZ00 | SL-clip, type SL 14, blauw/wit verzinkt | 0,00 |
| A.SG.SLC.16.VZ00 | SL-clip, type SL 16, blauw/wit verzinkt | 0,85 |



8.550 Splitpensets

| | | |
|------------------|---|-------|
| A.SG.SPS.04VZ000 | Splitpenset 3-delig, type 4, blauw/wit verzinkt, afm. pen Ø 4 h11 x 12 x 9,2 | 0,56 |
| A.SG.SPS.05VZ000 | Splitpenset 3-delig, type 5, blauw/wit verzinkt, afm. pen Ø 5 h11 x 16 x 12,0 | 1,02 |
| A.SG.SPS.06VZ000 | Splitpenset 3-delig, type 6, blauw/wit verzinkt, afm. pen Ø 6 h11 x 18 x 14,6 | 0,54 |
| A.SG.SPS.08VZ000 | Splitpenset 3-delig, type 8, blauw/wit verzinkt, afm. pen Ø 8 h11 x 25 x 18,8 | 0,56 |
| A.SG.SPS.10VZ000 | Splitpenset 3-delig, type 10, blauw/wit verzinkt, afm. pen Ø 10 h11 x 28 x 23,5 | 1,08 |
| A.SG.SPS.12VZ000 | Splitpenset 3-delig, type 12, blauw/wit verzinkt, afm. pen Ø 12 h11 x 35 x 28,0 | 1,22 |
| A.SG.SPS.14SS000 | Splitpenset 3-delig, type 14, RVS, afm. pen Ø 14 h11 x 40 x 32,5 | 19,76 |
| A.SG.SPS.14VZ000 | Splitpenset 3-delig, type 14, blauw/wit verzinkt, afm. pen Ø 14 h11 x 40 x 32,5 | 1,29 |
| A.SG.SPS.16VZ000 | Splitpenset 3-delig, type 16, blauw/wit verzinkt, afm. pen Ø 16 h11 x 45 x 36,5 | 2,90 |
| A.SG.SPS.20VZ000 | Splitpenset 3-delig, type 20, blauw/wit verzinkt, afm. pen Ø 20 h11 x 54 x 47,0 | 11,15 |
| A.SG.SPS.25VZ000 | Splitpenset 3-delig, type 40, blauw/wit verzinkt, afm. pen Ø 36 h11 x104 x 94,0 | 0,00 |
| A.SG.SPS.28VZ000 | Splitpenset 3-delig, type 28, blauw/wit verzinkt, afm. pen Ø 28 h11 x 72 x 63,5 | 0,00 |
| A.SG.SPS.30VZ000 | Splitpenset 3-delig, type 30, blauw/wit verzinkt, afm. pen Ø 30 h11 x 75 x 67,0 | 0,00 |
| A.SG.SPS.36VZ000 | Splitpenset 3-delig, type 36, blauw/wit verzinkt, afm. pen Ø 36 h11 x 87 x 76,0 | 0,00 |
| A.SG.SPS.40VZ000 | Splitpenset 3-delig, type 40, blauw/wit verzinkt, afm. pen Ø 36 h11 x104 x 94,0 | 0,00 |



8.555 Splitpen pennen

| | | |
|------------------|--|------|
| A.SG.SPP.04VZ000 | Splitpen pen, type 4, blauw/wit verzinkt, afm. pen Ø4 h11 x 12 x 9,2 mm | 0,46 |
| A.SG.SPP.05VZ000 | Splitpen pen, type 5, blauw/wit verzinkt, afm. pen Ø5 h11 x 16 x 12,0 mm | 0,53 |
| A.SG.SPP.06VZ000 | Splitpen pen, type 6, blauw/wit verzinkt, afm. pen Ø6 h11 x 18 x 14,6 mm | 0,59 |
| A.SG.SPP.08VZ000 | Splitpen pen, type 8, blauw/wit verzinkt, afm. pen Ø8 h11 x 25 x 18,8 mm | 0,76 |
| A.SG.SPP.10VZ000 | Splitpen pen, type 10, blauw/wit verzinkt, afm. pen Ø10 h11 x 28 x 23,5 mm | 0,99 |
| A.SG.SPP.12VZ000 | Splitpen pen, type 12, blauw/wit verzinkt, afm. pen Ø12 h11 x 35 x 28,0 mm | 1,45 |
| A.SG.SPP.14VZ000 | Splitpen pen, type 14, blauw/wit verzinkt, afm. pen Ø14 h11 x 40 x 32,5 mm | 1,97 |
| A.SG.SPP.16VZ000 | Splitpen pen, type 16, blauw/wit verzinkt, afm. pen Ø16 h11 x 45 x 36,5 mm | 2,55 |
| A.SG.SPP.20VZ000 | Splitpen pen, type 20, blauw/wit verzinkt, afm. pen Ø20 h11 x 54 x 47,0 mm | 9,31 |



8.560 Splitpenringen

| | | |
|------------------|--|------|
| A.SGR.M12.RVS.00 | Splitpenring 12 mm, RVS, t.b.v. splitpenset met gaffel M12 | 0,40 |
| A.SGR.M14.RVS.00 | Splitpenring 14 mm, RVS, t.b.v. splitpenset met gaffel M14 | 0,63 |
| A.SGR.M20.RVS.00 | Splitpenring 20 mm, RVS, t.b.v. splitpenset met gaffel M20 | 0,97 |
| A.SPR.M0816VZ00 | Splitpenring M8, verzinkt t.b.v. splitpenset, gaffels M8 | 0,06 |



8.570 Kopgaffelpennen

| | | |
|------------------|--|-------|
| A.SGPB04.08VZ000 | Kopgaffelpen, type Ben 4 x 10.0 x 8, blauw/wit verzinkt, passende borging: KL of SL-clip | 0,67 |
| A.SGPS04.08VZ000 | Gaffelpen met splitpen gat, 4 x 10.0 x 8, blauw/wit verzinkt | 0,00 |
| A.SGPB05.10VZ000 | Kopgaffelpen, type Ben 5 x 12.5 x 10, blauw/wit verzinkt, passende borging: KL of SL-clip | 0,74 |
| A.SGPB06.12VZ000 | Kopgaffelpen, type Ben 6 x 15.0 x 12, blauw/wit verzinkt, passende borging: KL of SL-clip | 1,38 |
| A.SGPB08.16VZ000 | Kopgaffelpen, type Ben 8 x 19.5 x 16, blauw/wit verzinkt, passende borging: KL of SL-clip | 0,78 |
| A.SGPB08.25VZ000 | Kopgaffelpen, type Ben 8 x 28.5 x 25, blauw/wit verzinkt, passende borging: KL of SL-clip | 1,98 |
| A.SGPB10.20VZ000 | Kopgaffelpen, type Ben 10 x 24.5 x 20, blauw/wit verzinkt, passende borging: KL of SL-clip | 0,69 |
| A.SGPB12.24SS000 | Kopgaffelpen, type Ben 12 x 29,0 x 24, RVS, voor splitpenborging | 10,86 |
| A.SGPB12.24VZ000 | Kopgaffelpen, type Ben 12 x 29,0 x 24, blauw/wit verzinkt, passende borging: KL of SL-clip | 1,90 |
| A.SGPB16.32VZ000 | Kopgaffelpen, type Ben 16 x 38,0 x 32, blauw/wit verzinkt, passende borging: KL of SL-clip | 0,00 |



Bergh Special Products B.V.

T. 0031 314 359490

F. 0031 314 359240

info@berghspecialproducts.nl

www.rolstoelonderdelen.nl

A.SGPB20.40VZ000 Kogpaffelpen, type Ben 20 x 46,0 x 40, blauw/wit verzinkt, passende borging: KL of SL-clip

0,00



8.580 Kegelpan

| | | |
|------------------|--|-------|
| A.KGPD.07.1BL000 | Kegelpan, type D 7.1, vlg DIN 6319, blank geolied | 0,68 |
| A.KGPD.09.6BL000 | Kegelpan, type D 9.6, vlg DIN 6319, blank geolied | 0,99 |
| A.KGPD.12.0BL000 | Kegelpan, type D 12.0, vlg DIN 6319, blank geolied | 1,30 |
| A.KGPD.14.2BL000 | Kegelpan, type D 14.2, vlg DIN 6319, blank geolied | 1,53 |
| A.KGPD.19.0BL000 | Kegelpan, type D 19.0, vlg DIN 6319, blank geolied | 2,43 |
| A.KGPD.23.2BL000 | Kegelpan, type D 23.2, vlg DIN 6319, blank geolied | 3,95 |
| A.KGPD.28.0BL000 | Kegelpan, type D 28.0, vlg DIN 6319, blank geolied | 5,97 |
| A.KGPD.35.0BL000 | Kegelpan, type D 35.0, vlg DIN 6319, blank geolied | 9,57 |
| A.KGPD.42.0BL000 | Kegelpan, type D 42.0, vlg DIN 6319, blank geolied | 16,10 |
| A.KGPD.49.0BL000 | Kegelpan, type D 49.0, vlg DIN 6319, blank geolied | 0,00 |
| A.KGPD.56.0BL000 | Kegelpan, type D 56.0, vlg DIN 6319, blank geolied | 0,00 |

8.600 Overzicht stangkoppen



8.610 Stangkoppen LSK



Stangkoppen LSK met binnendraad

| | | |
|------------------|---|--------|
| STK.M05.0.FCL000 | LSK stangkop type TSFL 5 C, M5 x 0.80, B1= 8 mm breed, female (vrouwelijk), onderhoudsvrij equivalent voor INA type GIK FR...PW | 6,27 |
| STK.M05.0.FCR000 | LSK stangkop type TSF 5 C, M 5x0.80, B1= 8 mm breed, female (vrouwelijk), onderhoudsvrij equivalent voor INA type GIK FR...PW | 6,17 |
| STK.M06.0.F0R100 | LSK stangkop type TSF 6, M 6x1.00, B1= 6 mm breed, female (vrouwelijk), niet onderhoudsvrij equivalent voor INA type GIK FR...PB & SKF type SIKAC ...M. | 6,62 |
| STK.M06.0.FCL000 | LSK stangkop type TSFL 6 C, M6 x 1.00, B1= 9 mm breed, female (vrouwelijk), onderhoudsvrij | 6,17 |
| STK.M06.0.FCR000 | LSK stangkop type TSF 6 C, M 6x1.00, B1= 9 mm breed, female (vrouwelijk), onderhoudsvrij | 6,17 |
| STK.M08.0.FCL000 | LSK stangkop type TSFL 8 C, M 8x1.25, B1= 12 mm breed, female (vrouwelijk), onderhoudsvrij equivalent voor INA type GIK FR...PW | 7,18 |
| STK.M08.0.FCR000 | LSK stangkop type TSF 8 C, M 8x1.25, B1= 12 mm breed, female (vrouwelijk), onderhoudsvrij equivalent voor INA type GIK FR...PW | 7,18 |
| STK.M50E0.FOL000 | LSK stangkop type SIL50 ES-2RS, M42x3, B = 35 mm breed, female (vrouwelijk), onderhoudsvrij equivalent voor INA type GIR....DO/ -2RS | 147,18 |
| STK.M50E0.FOR000 | LSK stangkop type SI 50 ES-2RS, M42x3, B = 35 mm breed, female (vrouwelijk), onderhoudsvrij | 147,18 |



| | | |
|------------------|--|-------|
| | equivalent voor INA type GIR....DO/ -2RS | |
| STK.M10.0.FCL000 | LSK stangkop type TSFL 10 C, M10 x 1.50, B1= 14 mm breed, female (vrouwelijk), onderhoudsvrij equivalent voor INA type GIK FR...PW | 8,39 |
| STK.M10.0.FCR000 | LSK stangkop type TSF 10 C, M10x1.50, B1= 14 mm breed, female (vrouwelijk), onderhoudsvrij equivalent voor INA type GIK FR...PW | 8,39 |
| STK.M10.0.FSR103 | LSK stangkop type TSF 10 C, M10x1.50, B1= 14 mm breed, female (vrouwelijk), onderhoudsvrij materiaal 1.4057, roest vast staal | 0,00 |
| STK.M10.1.FCR000 | LSK stangkop type TSF 10 C, M10x1.25, B1= 14 mm breed, female (vrouwelijk), onderhoudsvrij equivalent voor INA type GIK FR...PW | 8,27 |
| STK.M12.0.F0R000 | LSK stangkop type TSF 12, M12x1.75, B1=16 mm breed, female (vrouwelijk), niet onderhoudsvrij equivalent voor INA type GIK FR...PB & SKF type SIKAC ...M. | 10,07 |
| STK.M12.0.FCL000 | LSK stangkop type TSFL 12 C, M12 x 1.75, B1= 16 mm breed, female (vrouwelijk), onderhoudsvrij equivalent voor INA type GIK FR...PW | 10,07 |
| STK.M12.0.FCR000 | LSK stangkop type TSF 12 C, M12x1.75, B1= 16 mm breed, female (vrouwelijk), onderhoudsvrij equivalent voor INA type GIK FR...PW | 9,86 |
| STK.M12.1.FCR000 | LSK stangkop type TSF 12 C, M12x1.25, B1= 16 mm breed, female (vrouwelijk), onderhoudsvrij equivalent voor INA type GIK FR...PW | 9,84 |
| STK.M14.0.FCL000 | LSK stangkop type TSFL 14 C, M14 x 2.00, B1= 19 mm breed, female (vrouwelijk), onderhoudsvrij equivalent voor INA type GIK FR...PW | 12,20 |
| STK.M14.0.FCR000 | LSK stangkop type TSF 14 C, M14 x 2.00, B1= 19 mm breed, female (vrouwelijk), onderhoudsvrij equivalent voor INA type GIK FR...PW | 12,20 |
| STK.M16.0.FCR000 | LSK stangkop type TSF 16 C, M16 x 2.00, B1= 21 mm breed, female (vrouwelijk), onderhoudsvrij equivalent voor INA type GIK FR...PW | 15,84 |
| STK.M16.1.FCL000 | LSK stangkop type TSFL 16 C, M16 x 2.00, B1= 21 mm breed, female (vrouwelijk), onderhoudsvrij equivalent voor INA type GIK FR...PW | 15,80 |
| STK.M16.1.FCR000 | LSK stangkop type TSF 16 C, M16 x 1.50, B1= 21 mm breed, female (vrouwelijk), onderhoudsvrij equivalent voor INA type GIK FR...PW | 15,80 |



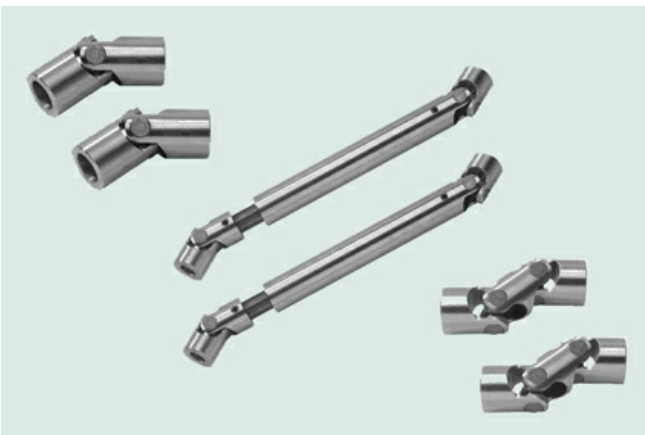
Stangkoppen LSK met buitendraad

LSK

| | | |
|------------------|---|-------|
| STK.M05.0.MCL000 | LSK stangkop type TSML 5 C, M5 x 0.80, B1= 8 mm breed, male (mannelijk), onderhoudsvrij equivalent voor INA type GAK FR...PW | 6,17 |
| STK.M05.0.MCR000 | LSK stangkop type TSM 5 C, M 5x0.80, B1= 8 mm breed, male (mannelijk), onderhoudsvrij equivalent voor INA type GAK FR...PW | 6,17 |
| STK.M06.0.MCL000 | LSK stangkop type TSML 6 C, M6 x 1.00, B1= 9 mm breed, male (mannelijk), onderhoudsvrij equivalent voor INA type GAK FR...PW | 6,17 |
| STK.M06.0.MCR000 | LSK stangkop type TSM 6 C, M 6x1.00, B1= 9 mm breed, male (mannelijk), onderhoudsvrij equivalent voor INA type GAK FR...PW | 6,17 |
| STK.M08.0.MCL000 | LSK stangkop type TSML 8 C, M 8x1.25, B1= 12 mm breed, male (mannelijk), onderhoudsvrij equivalent voor INA type GAK FR...PW | 6,98 |
| STK.M08.0.MCR000 | LSK stangkop type TSM 8 C, M 8x1.25, B1= 12 mm breed, male (mannelijk), onderhoudsvrij equivalent voor INA type GAK FR...PW | 6,98 |
| STK.M10.0.MCL000 | LSK stangkop type TSML 10 C, M10 x 1.50, B1= 14 mm breed, male (mannelijk), onderhoudsvrij equivalent voor INA type GAK FR...PW | 8,28 |
| STK.M10.0.MCR000 | LSK stangkop type TSM 10 C, M10x1.50, B1= 14 mm breed, male (mannelijk), onderhoudsvrij equivalent voor INA type GAK FR...PW | 8,27 |
| STK.M12.0.MCL000 | LSK stangkop type TSML 12 C, M12 x 1.75, B1= 16 mm breed, male (mannelijk), onderhoudsvrij equivalent voor INA type GAK FR...PW | 9,49 |
| STK.M12.0.MCR000 | LSK stangkop type TSM 12 C, M12x1.75, B1= 16 mm breed, male (mannelijk), onderhoudsvrij equivalent voor INA type GAK FR...PW | 9,49 |
| STK.M12.0.R0R000 | LSK stangkop type TSM 12, M12x1.75, B1=16 mm breed, male (mannelijk), niet onderhoudsvrij equivalent voor INA type GAK FR...PB & SKF type SAKAC ...M. | 10,07 |
| STK.M14.0.MCR000 | LSK stangkop type TSM 14 C, M14 x2.00, B1= 19 mm breed, male (mannelijk), onderhoudsvrij equivalent voor INA type GAK FR...PW | 12,05 |

8.620 Stangkoppen overig


| | | |
|------------------|--|-------|
| STK.M08.1.MCR002 | MTM stangkop type MTM-8, 1/2 UNF rechtse uitwendige draad (mannelijk/male), onderhoudsvrij | 23,73 |
| STK.M10.1.MCR002 | MTM stangkop type MTM-10, 3/4 UNC rechtse uitwendige draad (mannelijk/male), onderhoudsvrij | 22,75 |
| STK.M06.0.FCR004 | Stangkop type 6 C, M 6x1.00, B1= 9 mm breed, female (vrouwelijk), onderhoudsvrij | 4,68 |
| STK.M12.0.MCR104 | Stangkop type TSM 12 C, M12x1.75, B1= 10 mm breed, male (mannelijk), onderhoudsvrij equivalent voor INA type GAK FR...PW | 11,54 |
| STK.M14.0.MCL000 | LSK stangkop type TSML 14 C, M14 x 2.00, B1= 19 mm breed, male (mannelijk), onderhoudsvrij equivalent voor INA type GAK FR...PW | 12,46 |
| STK.M16.0.MCL000 | LSK stangkop type TSML 16 C, M16 x 2.00, B1= 21 mm breed, male (mannelijk), onderhoudsvrij equivalent voor INA type GAK FR...PW | 15,80 |
| STK.M16.0.MCR000 | LSK stangkop type TSM 16 C, M16 x 2.00, B1= 21 mm breed, male (mannelijk), onderhoudsvrij equivalent voor INA type GAK FR...PW | 15,80 |
| STK.M18.0.MCL000 | LSK stangkop type TSML 18 C, M18 x 1.5, B1= 23 mm breed, male (mannelijk), onderhoudsvrij equivalent voor INA type GAK FR...PW | 19,96 |
| STK.M18.0.MCR000 | LSK stangkop type TSM 18 C, M18 x 1.5, B1= 23 mm breed, male (mannelijk), onderhoudsvrij equivalent voor INA type GAK FR...PW | 19,96 |
| STK.M08.0.FCR005 | ECO stangkop type TSF 8 C, M8 x 1.25, B1= 12 mm breed, female (vrouwelijk), onderhoudsvrij equivalent voor INA type GIK FR...PW | 2,99 |
| STK.M08.0.FCR004 | Stangkop type TSF 8 C, M 8x1.25, B1= 12 mm breed, female (vrouwelijk), onderhoudsvrij | 5,51 |
| STK.M08.0.MCL004 | Stangkop type ML 8 C, M 8x1.25, B1= 12 mm breed, male (mannelijk), onderhoudsvrij | 5,62 |
| STK.M08.0.MCR004 | Stangkop type TSM 8 C, M 8x1.25, B1= 12 mm breed, male (mannelijk), onderhoudsvrij | 5,54 |
| STK.M10.0.FCR004 | Stangkop type TSF 10 C, M10x1.50, B1= 14 mm breed, female (vrouwelijk), onderhoudsvrij | 7,46 |

8.660 Kruisgewrichten met glijlager




Kruisgewricht glijlager enkel

| | | |
|------------------|--|--------|
| KW06.16.034.1000 | Kruisgewricht enkel, Bi x Bu x L = Ø6 x Ø16 x 34 mm, blank staal, tot 45° verdraaibaar, type G | 43,29 |
| KW08.13.042.1000 | Kruisgewricht enkel, Bi x Bu x L = Ø8 x Ø13 x 42 mm, blank staal, tot 45° verdraaibaar, type G | 40,39 |
| KW08.16.040.1000 | Kruisgewricht enkel, Bi x Bu x L = Ø8 x Ø16 x 40 mm, blank staal, tot 45° verdraaibaar, type G | 47,95 |
| KW10.16.052.1000 | Kruisgewricht enkel, Bi x Bu x L = Ø10 x Ø16 x 52 mm, blank staal, tot 45° verdraaibaar, type G | 44,60 |
| KW10.20.048.1000 | Kruisgewricht enkel, Bi x Bu x L = Ø10 x Ø20 x 48 mm, blank staal, tot 45° verdraaibaar, type G | 55,83 |
| KW12.20.062.1000 | Kruisgewricht enkel, Bi x Bu x L = Ø12 x Ø20 x 62 mm, blank staal, tot 45° verdraaibaar, type G | 47,96 |
| KW12.25.056.1000 | Kruisgewricht enkel, Bi x Bu x L = Ø12 x Ø25 x 56 mm, blank staal, tot 45° verdraaibaar, type G | 55,83 |
| KW16.25.074.1000 | Kruisgewricht enkel, Bi x Bu x L = Ø16 x Ø25 x 74 mm, blank staal, tot 45° verdraaibaar, type G | 55,51 |
| KW16.32.068.1000 | Kruisgewricht enkel, Bi x Bu x L = Ø16 x Ø32 x 68 mm, blank staal, tot 45° verdraaibaar, type G | 64,54 |
| KW20.32.086.1000 | Kruisgewricht enkel, Bi x Bu x L = Ø20 x Ø32 x 86 mm, blank staal, tot 45° verdraaibaar, type G | 64,54 |
| KW20.40.082.1000 | Kruisgewricht enkel, Bi x Bu x L = Ø20 x Ø40 x 82 mm, blank staal, tot 45° verdraaibaar, type G | 91,58 |
| KW25.40.108.1000 | Kruisgewricht enkel, Bi x Bu x L = Ø25 x Ø40 x 108 mm, blank staal, tot 45° verdraaibaar, type G | 91,58 |
| KW25.50.104.1000 | Kruisgewricht enkel, Bi x Bu x L = Ø25 x Ø50 x 104 mm, blank staal, tot 45° verdraaibaar, type G | 122,65 |
| KW32.50.132.1000 | Kruisgewricht enkel, Bi x Bu x L = Ø32 x Ø50 x 132 mm, blank staal, tot 45° verdraaibaar, type G | 122,64 |
| KW32.63.130.1000 | Kruisgewricht enkel, Bi x Bu x L = Ø32 x Ø63 x 130 mm, blank staal, tot 45° verdraaibaar, type G | 241,27 |
| KW40.63.166.1000 | Kruisgewricht enkel, Bi x Bu x L = Ø40 x Ø63 x 166 mm, blank staal, tot 45° verdraaibaar, type G | 269,10 |
| KW40.75.160.1000 | Kruisgewricht enkel, Bi x Bu x L = Ø40 x Ø75 x 160 mm, blank staal, tot 45° verdraaibaar, type G | 350,22 |
| KW50.90.190.1000 | Kruisgewricht enkel, Bi x Bu x L = Ø50 x Ø90 x 190 mm, blank staal, tot 45° verdraaibaar, type G | 576,67 |



Kruisgewricht glijlager dubbel

| | | |
|------------------|---|--------|
| KW06.16.056.2000 | Kruisgewricht dubbel, Bi x Bu x L = Ø6 x Ø16 x 56 mm, blank staal, tot 90° verdraaibaar, type G | 86,58 |
| KW08.13.060.2000 | Kruisgewricht dubbel, Bi x Bu x L = Ø8 x Ø13 x 60 mm, blank staal, tot 90° verdraaibaar, type G | 81,28 |
| KW08.16.062.2000 | Kruisgewricht dubbel, Bi x Bu x L = Ø8 x Ø16 x 62 mm, blank staal, tot 90° verdraaibaar, type G | 87,56 |
| KW10.16.074.2000 | Kruisgewricht dubbel, Bi x Bu x L = Ø10 x Ø16 x 74 mm, blank staal, tot 90° verdraaibaar, type G | 87,55 |
| KW10.20.074.2000 | Kruisgewricht dubbel, Bi x Bu x L = Ø10 x Ø20 x 74 mm, blank staal, tot 90° verdraaibaar, type G | 96,09 |
| KW12.20.088.2000 | Kruisgewricht dubbel, Bi x Bu x L = Ø12 x Ø20 x 88 mm, blank staal, tot 90° verdraaibaar, type G | 96,10 |
| KW12.25.086.2000 | Kruisgewricht dubbel, Bi x Bu x L = Ø12 x Ø25 x 86 mm, blank staal, tot 90° verdraaibaar, type G | 110,43 |
| KW16.25.104.2000 | Kruisgewricht dubbel, Bi x Bu x L = Ø16 x Ø25 x 104 mm, blank staal, tot 90° verdraaibaar, type G | 110,43 |
| KW16.32.104.2000 | Kruisgewricht dubbel, Bi x Bu x L = Ø16 x Ø32 x 104 mm, blank staal, tot 90° verdraaibaar, type G | 129,40 |
| KW20.32.124.2000 | Kruisgewricht dubbel, Bi x Bu x L = Ø20 x Ø32 x 124 mm, blank staal, tot 90° verdraaibaar, type G | 129,40 |
| KW20.40.128.2000 | Kruisgewricht dubbel, Bi x Bu x L = Ø20 x Ø40 x 128 mm, blank staal, tot 90° verdraaibaar, type G | 182,20 |
| KW25.40.156.2000 | Kruisgewricht dubbel, Bi x Bu x L = Ø25 x Ø40 x 156 mm, blank staal, tot 90° verdraaibaar, type G | 179,60 |
| KW25.50.160.2000 | Kruisgewricht dubbel, Bi x Bu x L = Ø25 x Ø50 x 160 mm, blank staal, tot 90° verdraaibaar, type G | 245,78 |
| KW32.50.188.2000 | Kruisgewricht dubbel, Bi x Bu x L = Ø32 x Ø50 x 188 mm, blank staal, tot 90° verdraaibaar, type G | 245,78 |
| KW32.63.200.2000 | Kruisgewricht dubbel, Bi x Bu x L = Ø32 x Ø63 x 200 mm, blank staal, tot 90° verdraaibaar, type G | 482,06 |
| KW40.63.236.2000 | Kruisgewricht dubbel, Bi x Bu x L = Ø40 x Ø63 x 236 mm, blank staal, tot 90° verdraaibaar, type G | 566,84 |
| KW40.75.245.2000 | Kruisgewricht dubbel, Bi x Bu x L = Ø40 x Ø75 x 245 mm, blank staal, tot 90° verdraaibaar, type G | 700,28 |



Bergh Special Products B.V.

T. 0031 314 359490

F. 0031 314 359240

info@berghspecialproducts.nl

www.rolstoelonderdelen.nl

KW50.90.290.2000 Kruisgewricht dubbel, Bi x Bu x L = Ø50 x Ø90 x 290 mm, blank staal, tot 90° verdraaibaar, type G 1153,22



Kruisgewricht glijlager uitschuifbaar



prijs op aanvraag

| | | |
|------------------|---|--------|
| KW10.20.230.3000 | Kruisgewricht uitschuifbaar, Bi x Bu x L = Ø10 x Ø20 x 230 mm, blank staal, tot 45° verdraaibaar, 80 mm uitschuifbaar tot 310 mm, type G | 0,00 |
| KW12.25.260.3000 | Kruisgewricht uitschuifbaar, Bi x Bu x L = Ø12 x Ø25 x 260 mm, blank staal, tot 45° verdraaibaar, 90 mm uitschuifbaar tot 350 mm, type G | 0,00 |
| KW12.25.260.3060 | Kruisgewricht uitschuifbaar, Bi x Bu x L = Ø12 x Ø25 x 260 mm, blank staal, tot 45° verdraaibaar, 90 mm uitschuifbaar tot 350 mm. Uitvoering 2x 6-kant 10 mm inwendig, type G | 406,30 |
| KW12.25.260.308S | Kruisgewricht uitschuifbaar, Bi x Bu x L = Ø12 x Ø20 x 260 mm, blank staal, tot 45° verdraaibaar, 90 mm uitschuifbaar tot 350 mm. Uitvoering 2x 6-kant 11 mm inwendig, type G | 254,42 |
| KW16.32.340.3000 | Kruisgewricht uitschuifbaar, Bi x Bu x L = Ø16 x Ø32 x 340 mm, blank staal, tot 45° verdraaibaar, 110 mm uitschuifbaar tot 450 mm, type G | 0,00 |
| KW20.40.420.3000 | Kruisgewricht uitschuifbaar, Bi x Bu x L = Ø20 x Ø40 x 420 mm, blank staal, tot 45° verdraaibaar, 130 mm uitschuifbaar tot 550 mm, type G | 0,00 |
| KW25.50.500.3000 | Kruisgewricht uitschuifbaar, Bi x Bu x L = Ø25 x Ø50 x 500 mm, blank staal, tot 45° verdraaibaar, 150 mm uitschuifbaar tot 650 mm, type G | 0,00 |
| KW32.63.600.3000 | Kruisgewricht uitschuifbaar, Bi x Bu x L = Ø32 x Ø63 x 600 mm, blank staal, tot 45° verdraaibaar, 200 mm uitschuifbaar tot 800 mm, type G | 0,00 |

8.700 Overzicht sterknoppen, kogelknoppen, vleugelmoeren, drukstiften, stelvoeten



8.710 Sterknoppen



Sterknoppen Ø25mm binnendraad

| | | |
|------------------|--|----------|
| SK24.25.05.00V00 | Sterknop, DIN 6336-KT-25-M5-K, M5 inwendig, thermoplast, zwart, draadbus staal verzinkt | 0,88 (3) |
| SK24.25.06.00V00 | Sterknop, type 24, Ø25 mm, M6 inwendig, knop slagvast thermoplast, zwart, met verzinkte stalen draad | 0,97 |



Bergh Special Products B.V.

T. 0031 314 359490

F. 0031 314 359240

info@berghspecialproducts.nl

www.rolstoelonderdelen.nl



Sterknoppen Ø32mm binnendraad

| | | |
|------------------|---|----------|
| SK24.32.05.00V00 | Sterknop, DIN 6336-KT-32-M5-K, M5 inwendig, thermoplast, zwart, draadbus staal verzinkt | 0,91 (3) |
| SK24.32.06.00V00 | Sterknop, DIN 6336-KT-32-M6-K, M6 inwendig, thermoplast, zwart, draadbus staal verzinkt | 0,88 (3) |



Sterknoppen Ø40mm binnendraad

| | | |
|------------------|---|----------|
| SK24.40.06.00V00 | Sterknop, DIN 6336-KT-40-M6-K, M6 inwendig, thermoplast, zwart, draadbus staal verzinkt | 1,20 (3) |
| SK24.40.08.00V00 | Sterknop, DIN 6336-KT-40-M8-K, M8 inwendig, thermoplast, zwart, draadbus staal verzinkt | 1,20 (3) |



Sterknoppen Ø50mm binnendraad

| | | |
|------------------|---|----------|
| SK24.50.08.00V00 | Sterknop, DIN 6336-KT-50-M8-K, M8 inwendig, thermoplast, zwart, draadbus staal verzinkt | 1,85 (3) |
| SK24.50.10.00V00 | Sterknop, DIN 6336-KT-50-M10-K, M10 inwendig, thermoplast, zwart, draadbus staal verzinkt | 1,85 (3) |



Sterknoppen Ø63mm binnendraad

| | | |
|------------------|---|----------|
| SK24.63.10.00V00 | Sterknop, DIN 6336-KT-63-M10-K, M10 inwendig, thermoplast, zwart, draadbus staal verzinkt | 2,79 (3) |
| SK24.63.12.00V00 | Sterknop, DIN 6336-KT-63-M12-K, M12 inwendig, thermoplast, zwart, draadbus staal verzinkt | 2,79 (3) |



Sterknoppen Ø25mm buitendraad

| | | |
|------------------|---|----------|
| SK24.25.05.10V00 | Sterknop, GN 6336.4-ST-25-M5-10, draad M5x10 mm, thermoplast, zwart, draad staal verzinkt | 0,68 (3) |
| SK24.25.05.15V00 | Sterknop, GN 6336.4-ST-25-M5-15, draad M5x15 mm, thermoplast, zwart, draad staal verzinkt | 0,68 (3) |
| SK24.25.05.20V00 | Sterknop, GN 6336.4-ST-25-M5-20, draad M5x20 mm, thermoplast, zwart, draad staal verzinkt | 0,68 (3) |
| SK24.25.05.25V00 | Sterknop, GN 6336.4-ST-25-M5-25, draad M5x25 mm, thermoplast, zwart, draad staal verzinkt | 0,68 (3) |
| SK24.25.05.30V00 | Sterknop, GN 6336.4-ST-25-M5-30, draad M5x30 mm, thermoplast, zwart, draad staal verzinkt | 0,68 (3) |
| SK24.25.06.16V00 | Sterknop, type 24, Ø25 mm, M6x15, knop slagvast thermoplast, zwart, met verzinkte stalen draadbus Uitverkooppartij | 0,83 |



Sterknoppen Ø32mm buitendraad

| | | |
|------------------|---|----------|
| SK24.32.06.10V00 | Sterknop, GN 6336.4-ST-32-M6-10, draad M6x10 mm, thermoplast, zwart, draad staal verzinkt | 0,65 (3) |
| SK24.32.06.16V00 | Sterknop, GN 6336.4-ST-32-M6-16, draad M6x16 mm, thermoplast, zwart, draad staal verzinkt | 0,65 (3) |
| SK24.32.06.20V00 | Sterknop, GN 6336.4-ST-32-M6-20, draad M6x20 mm, thermoplast, zwart, draad staal verzinkt | 0,65 (3) |
| SK24.32.06.25V00 | Sterknop, GN 6336.4-ST-32-M6-25, draad M6x25 mm, thermoplast, zwart, draad staal verzinkt | 0,68 (3) |
| SK24.32.06.30V00 | Sterknop, GN 6336.4-ST-32-M6-30, draad M6x30 mm, thermoplast, zwart, draad staal verzinkt | 0,68 (3) |
| SK24.32.06.35V00 | Sterknop, GN 6336.4-ST-32-M6-35, draad M6x35 mm, thermoplast, zwart, draad staal verzinkt | 0,68 (3) |
| SK24.32.06.45V00 | Sterknop, GN 6336.4-ST-32-M6-45, draad M6x45 mm, thermoplast, zwart, draad staal verzinkt | 0,71 (3) |
| SK24.32.06.60V00 | Sterknop, GN 6336.4-ST-32-M6-60, draad M6x60 mm, thermoplast, zwart, draad staal verzinkt | 0,85 (3) |
| SK24.32.08.15V00 | Sterknop, type 24, Ø32 mm, M8x15, knop slagvast thermoplast, zwart, met verzinkte stalen draadbus | 0,89 |
| SK24.32.08.25V00 | Sterknop, type 24, Ø32 mm, M8x25, knop slagvast thermoplast, zwart, met verzinkte stalen draadbus | 0,95 |
| SK24.32.08.30V00 | Sterknop, type 24, Ø32 mm, M8x30, knop slagvast thermoplast, zwart, met verzinkte stalen draadbus | 0,95 |
| SK24.32.08.40V00 | Sterknop, type 24, Ø40 mm, M8x40, knop slagvast thermoplast, zwart, met verzinkte stalen draadbus | 1,06 (3) |
| SK24.32.08.50V00 | Sterknop, type 24, Ø32 mm, M8x50, knop slagvast thermoplast, zwart, met verzinkte stalen draadbus | 1,07 |


Sterknoppen Ø40mm buitendraad

| | | |
|------------------|---|----------|
| SK24.40.06.40V00 | Sterknop, type 24, Ø40 mm, M6x40, knop slagvast thermoplast, zwart, met verzinkte stalen draadbus | 1,70 |
| SK24.40.08.16V00 | Sterknop, GN 6336.4-ST-40-M8-16, draad M8x16 mm, thermoplast, zwart, draad staal verzinkt | 0,94 (3) |
| SK24.40.08.20V00 | Sterknop, GN 6336.4-ST-40-M8-20, draad M8x20 mm, thermoplast, zwart, draad staal verzinkt | 0,97 (3) |
| SK24.40.08.25V00 | Sterknop, GN 6336.4-ST-40-M8-25, draad M8x25 mm, thermoplast, zwart, draad staal verzinkt | 1,40 (3) |
| SK24.40.08.30V00 | Sterknop, GN 6336.4-ST-40-M8-30, draad M8x30 mm, thermoplast, zwart, draad staal verzinkt | 1,03 (3) |
| SK24.40.08.35V00 | Sterknop, GN 6336.4-ST-40-M8-35, draad M8x35 mm, thermoplast, zwart, draad staal verzinkt | 1,06 (3) |
| SK24.40.08.40V00 | Sterknop, GN 6336.4-ST-40-M8-40, draad M8x40 mm, thermoplast, zwart, draad staal verzinkt | 1,06 (3) |
| SK24.40.08.50V00 | Sterknop, GN 6336.4-ST-40-M8-50, draad M8x50 mm, thermoplast, zwart, draad staal verzinkt | 1,17 (3) |
| SK24.40.08.55V00 | Sterknop, GN 6336.4-ST-40-M8-55, draad M8x55 mm, thermoplast, zwart, draad staal verzinkt | 1,14 (3) |


Sterknoppen Ø50mm buitendraad

| | | |
|------------------|---|----------|
| SK24.50.08.24V00 | Sterknop, type 24, Ø50 mm, M8x24, knop slagvast thermoplast, zwart, met verzinkte stalen draadbus | 2,11 |
| SK24.50.10.15V00 | Sterknop, GN 6336.4-ST-50-M10-15, draad M10x15 mm, thermoplast, zwart, draad staal verzinkt | 1,68 (3) |
| SK24.50.10.20V00 | Sterknop, GN 6336.4-ST-50-M10-20, draad M10x20 mm, thermoplast, zwart, draad staal verzinkt | 1,68 (3) |
| SK24.50.10.25V00 | Sterknop, GN 6336.4-ST-50-M10-25, draad M10x25 mm, thermoplast, zwart, draad staal verzinkt | 1,68 (3) |
| SK24.50.10.30V00 | Sterknop, GN 6336.4-ST-50-M10-30, draad M10x30 mm, thermoplast, zwart, draad staal verzinkt | 1,74 (3) |
| SK24.50.10.35V00 | Sterknop, GN 6336.4-ST-50-M10-35, draad M10x35 mm, thermoplast, zwart, draad staal verzinkt | 1,74 (3) |
| SK24.50.10.40V00 | Sterknop, GN 6336.4-ST-50-M10-40, draad M10x40 mm, thermoplast, zwart, draad staal verzinkt | 1,85 (3) |
| SK24.50.10.45V00 | Sterknop, GN 6336.4-ST-50-M10-45, draad M10x45 mm, thermoplast, zwart, draad staal verzinkt | 1,85 (3) |
| SK24.50.10.55V00 | Sterknop, GN 6336.4-ST-50-M10-55, draad M10x55 mm, thermoplast, zwart, draad staal verzinkt | 1,94 |


Sterknoppen Ø63mm buitendraad

| | | |
|------------------|---|----------|
| SK24.63.12.25V00 | Sterknop, GN 6336.4-ST-63-M12-25, draad M12x25 mm, thermoplast, zwart, draad staal verzinkt | 2,76 (3) |
| SK24.63.12.30V00 | Sterknop, GN 6336.4-ST-63-M12-30, draad M12x30 mm, thermoplast, zwart, draad staal verzinkt | 2,82 (3) |
| SK24.63.12.40V00 | Sterknop, GN 6336.4-ST-63-M12-40, draad M12x40 mm, thermoplast, zwart, draad staal verzinkt | 2,82 (3) |
| SK24.63.12.20V00 | Sterknop, GN 6336.4-ST-63-M12-20, draad M12x20 mm, thermoplast, zwart, draad staal verzinkt | 3,20 (3) |
| SK24.63.12.35V00 | Sterknop, GN 6336.4-ST-63-M12-35, draad M12x35 mm, thermoplast, zwart, draad staal verzinkt | 2,82 (3) |



Bergh Special Products B.V.

T. 0031 314 359490

F. 0031 314 359240

info@berghspecialproducts.nl

www.rolstoelonderdelen.nl

| | | |
|------------------|---|----------|
| SK24.63.12.50V00 | Sterknop, GN 6336.4-ST-63-M12-50, draad M12x50 mm, thermoplast, zwart, draad staal verzinkt | 2,97 (3) |
| SK24.63.12.60V00 | Sterknop, GN 6336.4-ST-63-M12-60, draad M12x60 mm, thermoplast, zwart, draad staal verzinkt | 3,17 (3) |



Bergh Special Products B.V.

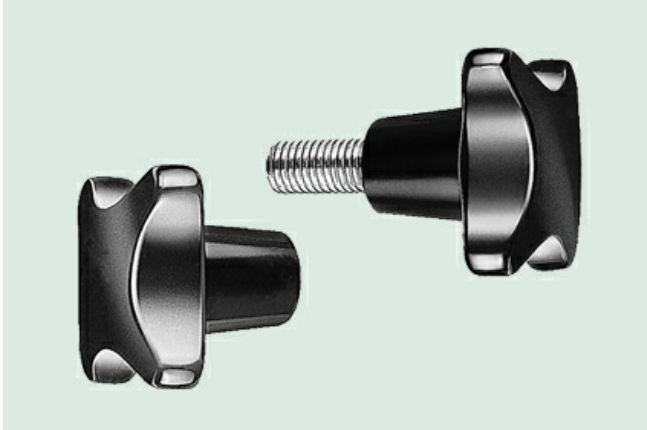
T. 0031 314 359490

F. 0031 314 359240

info@berghspecialproducts.nl

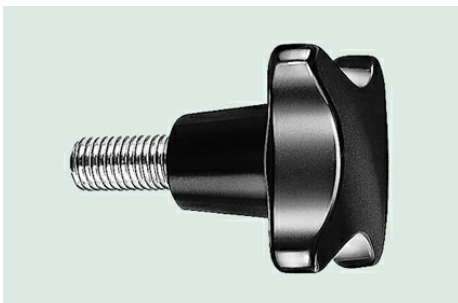
www.rolstoelonderdelen.nl

8.715 Kruisknoppen



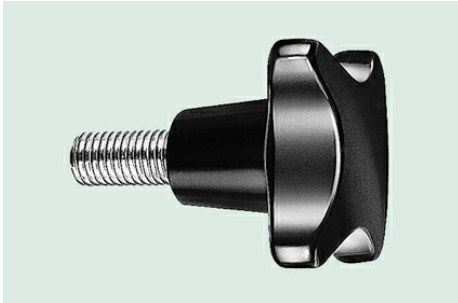
Kruisknoppen met binnendraad

| | | |
|------------------|---|----------|
| SK21.25.05.00V00 | Kruisknop, type 21, DIN 6335-KU-25-M5-K, Ø25 mm, M5 inwendige draad, knop zwart duroplast met verzinkte stalen draadbus | 0,62 (3) |
| SK21.32.06.00V00 | Kruisknop, type 21, DIN 6335-KU-32-M6-K, Ø32 mm, M6 inwendige draad, knop zwart duroplast met verzinkte stalen draadbus | 0,77 (3) |
| SK21.40.08.00V00 | Kruisknop, type 21, DIN 6335-KU-40-M8-K, Ø40 mm, M8 inwendige draad, knop zwart duroplast met verzinkte stalen draadbus | 1,14 (3) |
| SK21.50.10.00V00 | Kruisknop, type 21, DIN 6335-KU-50-M10-K, Ø50 mm, M10 inwendige draad, knop zwart duroplast met verzinkte stalen draadbus | 1,55 (3) |
| SK21.63.12.00V00 | Kruisknop, type 21, DIN 6335-KU-63-M12-K, Ø63 mm, M12 inwendige draad, knop zwart duroplast met verzinkte stalen draadbus | 2,85 (3) |

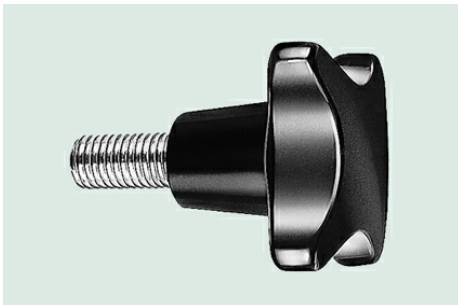


Kruisknoppen Ø25mm/M5 met buitendraad

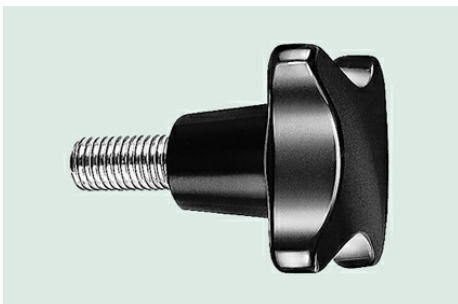
| | | |
|------------------|--|------|
| SK21.25.05.10V00 | Kruisknop, type 21, Ø25 mm, M5x10 mm, knop Duroplast FS 31, zwart, met verzinkte stalen draadbus | 1,02 |
| SK21.25.05.15V00 | Kruisknop, type 21, Ø25 mm, M5x15 mm, knop Duroplast FS 31, zwart, met verzinkte stalen draadbus | 1,02 |
| SK21.25.05.20V00 | Kruisknop, type 21, Ø25 mm, M5x20 mm, knop Duroplast FS 31, zwart, met verzinkte stalen draadbus | 1,02 |


Kruisknoppen Ø32mm/M6 met buitendraad

| | | |
|------------------|--|------|
| SK21.32.06.15V00 | Kruisknop, type 21, Ø32 mm, M6x15 mm, knop Duroplast FS 31, zwart, met verzinkte stalen draadbus | 1,13 |
| SK21.32.06.20V00 | Kruisknop, type 21, Ø32 mm, M6x20 mm, knop Duroplast FS 31, zwart, met verzinkte stalen draadbus | 1,13 |
| SK21.32.06.30V00 | Kruisknop, type 21, Ø32 mm, M6x30 mm, knop Duroplast FS 31, zwart, met verzinkte stalen draadbus | 1,16 |


Kruisknoppen Ø40mm/M8 met buitendraad

| | | |
|------------------|--|------|
| SK21.40.08.15V00 | Kruisknop, type 21, Ø40 mm, M8x15 mm, knop Duroplast FS 31, zwart, met verzinkte stalen draadbus | 1,64 |
| SK21.40.08.20V00 | Kruisknop, type 21, Ø40 mm, M8x20 mm, knop Duroplast FS 31, zwart, met verzinkte stalen draadbus | 1,67 |
| SK21.40.08.30V00 | Kruisknop, type 21, Ø40 mm, M8x30 mm, knop Duroplast FS 31, zwart, met verzinkte stalen draadbus | 1,70 |


Kruisknoppen Ø50mm/M10 met buitendraad

| | | |
|------------------|---|------|
| SK21.50.10.20V00 | Kruisknop, type 21, Ø50 mm, M10x20 mm, knop Duroplast FS 31, zwart, met verzinkte stalen draadbus | 2,37 |
| SK21.50.10.30V00 | Kruisknop, type 21, Ø50 mm, M10x30 mm, knop Duroplast FS 31, zwart, met verzinkte stalen draadbus | 2,44 |
| SK21.50.10.40V00 | Kruisknop, type 21, Ø50 mm, M10x40 mm, knop Duroplast FS 31, zwart, met verzinkte stalen draadbus | 2,46 |



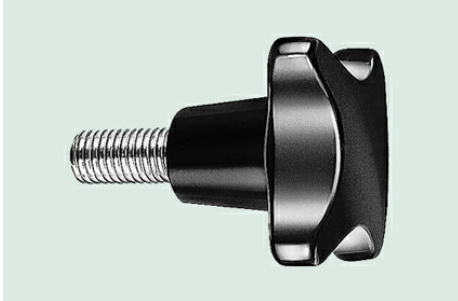
Bergh Special Products B.V.

T. 0031 314 359490

F. 0031 314 359240

info@berghspecialproducts.nl

www.rolstoelonderdelen.nl



Kruisknoppen Ø63mm/M12 met buitendraad

| | | |
|------------------|---|------|
| SK21.63.12.25V00 | Kruisknop, type 21, Ø63 mm, M12x25 mm, knop Duroplast FS 31, zwart, met verzinkte stalen draadbus | 4,44 |
| SK21.63.12.40V00 | Kruisknop, type 21, Ø63 mm, M12x40 mm, knop Duroplast FS 31, zwart, met verzinkte stalen draadbus | 4,64 |

8.720 Kogelknoppen

Kogelknoppen DIN319 Duroplast met draadbus

| | | |
|------------------|---|---------------------|
| KK20.10.03.Z00.C | Kogelknop type 20, DIN 319-C, Ø 10 mm, M3x5 inwendig, Duroplast kleur, zwart | 0,55 ⁽³⁾ |
| KK20.12.04.Z00.C | Kogelknop type 20, DIN 319-C, Ø 12 mm, M4x6 inwendig, Duroplast kleur, zwart | 1,05 |
| KK20.16.04.Z00.C | Kogelknop type 20, DIN 319-C, Ø 16 mm, M4x8 inwendig, Duroplast kleur, zwart | 0,99 |
| KK20.20.05.Z00.C | Kogelknop type 20, DIN 319-C, Ø 20 mm, M5x10 inwendig, Duroplast kleur, zwart | 1,02 |
| KK20.20.05.Z00.E | Kogelknop type 20, DIN 319-E, Ø 20 mm, M5x10 inwendig, Duroplast kleur, zwart | 1,22 |
| KK20.20.06.Z00.C | Kogelknop type 20, DIN 319-C, Ø 20 mm, M6x13 inwendig, Duroplast kleur, zwart | 1,02 |
| KK20.25.06.Z00.C | Kogelknop type 20, DIN 319-C, Ø 25 mm, M6x11 inwendig, duroplast, zwart | 0,77 ⁽³⁾ |
| KK20.25.06.Z00.E | Kogelknop type 20, DIN 319-E, Ø 25 mm, M6x13 inwendig, Duroplast kleur, zwart | 1,55 |
| KK20.25.08.Z00.C | Kogelknop type 20, DIN 319-C, Ø 25 mm, M8x16 inwendig, Duroplast kleur, zwart | 1,22 |
| KK20.32.06.Z00.C | Kogelknop type 20, DIN 319-C, Ø 32 mm, M6x13 inwendig, Duroplast kleur, zwart | 1,75 |
| KK20.32.08.Z00.C | Kogelknop type 20, DIN 319-C, Ø 32 mm, M8x16 inwendig, Duroplast kleur, zwart | 1,42 |
| KK20.32.08.Z00.E | Kogelknop type 20, DIN 319-E, Ø 32 mm, M8x13 inwendig, Duroplast kleur, zwart | 2,24 |
| KK20.32.10.Z00.C | Kogelknop type 20, DIN 319-C, Ø 32 mm, M10x21 inwendig, Duroplast kleur, zwart | 1,70 |
| KK20.36.08.Z00.C | Kogelknop type 20, DIN 319-C, Ø 36 mm, M8x16 inwendig, Duroplast kleur, zwart | 2,52 |
| KK20.36.08.Z00.E | Kogelknop type 20, DIN 319-E, Ø 36 mm, M8x16 inwendig, Duroplast kleur, zwart Deze kogelknop is voorzien van een schroefdraadbus,staal verzinkt. | 3,39 |
| KK20.36.10.Z00.C | Kogelknop type 20, DIN 319-C, Ø 36 mm, M10x21 inwendig, Duroplast kleur, zwart | 2,60 |
| KK20.36.10.Z00.E | Kogelknop type 20, DIN 319-E, Ø 36 mm, M10x21 inwendig, Duroplast kleur, zwart Deze kogelknop is voorzien van een schroefdraadbus,staal verzinkt. | 3,51 |
| KK20.40.10.Z00.C | Kogelknop type 20, DIN 319-C, Ø 40 mm, M10x21 inwendig, Duroplast kleur, zwart | 2,60 |
| KK20.40.10.Z00.E | Kogelknop type 20, DIN 319-E, Ø 40 mm, M10x21 inwendig, Duroplast kleur, zwart Deze kogelknop is voorzien van een schroefdraadbus,staal verzinkt. | 3,59 |
| KK20.40.12.Z00.C | Kogelknop type 20, DIN 319-C, Ø 40 mm, M12x25 inwendig, Duroplast kleur, zwart | 2,89 |
| KK20.40.12.Z00.E | Kogelknop type 20, DIN 319-E, Ø 40 mm, M12x25 inwendig, Duroplast kleur, zwart Deze kogelknop is voorzien van een schroefdraadbus,staal verzinkt. | 4,24 |
| KK20.50.12.Z00.C | Kogelknop type 20, DIN 319-C, Ø 50 mm, M12x25 inwendig, Duroplast kleur, zwart | 2,77 |
| KK20.50.12.Z00.E | Kogelknop type 20, DIN 319-E, Ø 50 mm, M12x25 inwendig, Duroplast kleur, zwart Deze kogelknop is voorzien van een schroefdraadbus,staal verzinkt. | 5,29 |

8.730 Vleugelknoppen

Vleugelmoeren, breedte 32 mm

| | | |
|------------------|--|----------|
| VM00.32.05.00M01 | Vleugelmoer type CWN.32 B-M5, inwendig M5x6 mm, knop zwart technopolymer, draad messing D=32 mm, L=16,5 mm, d1=12 mm, l2=3,5 mm, b=6 mm | 1,45 (3) |
| VM00.32.06.00M01 | Vleugelmoer type CWN.32 B-M6, inwendig M6x8 mm, knop zwart technopolymer, draad messing D=32 mm, L=16,5 mm, d1=12 mm, l2=3,5 mm, b=6 mm | 1,49 (3) |


Vleugelmoeren, breedte 40 mm

| | | |
|------------------|---|----------|
| VM00.40.06.00M01 | Vleugelmoer type CWN.40 B-M6, inwendig M6x12 mm, knop zwart technopolymer, draad messing D=40 mm, L=21 mm, d1=13,5 mm, l2=4,5 mm, b=6,5 mm | 1,97 (3) |
| VM00.40.08.00M01 | Vleugelmoer type CWN.40 B-M8, inwendig M8x13 mm, knop zwart technopolymer, draad messing D=40 mm, L=21 mm, d1=13,5 mm, l2=4,5 mm, b=6,5 mm | 2,16 (3) |
| VM37.45.10.00M00 | Vleugelmoer type 37-45, inwendig M10, knop slagvast thermoplast, zwart uitvoering: met een messing draadbus | 1,60 |


Vleugelbouten, breedte 32 mm

| | | |
|------------------|---|----------|
| VM37.35.05.15V00 | Vleugelbout type 37-35, M5x15, knop slagvast thermoplast, zwart uitvoering: met een stalen draadbus verzinkt. | 0,78 |
| VM00.32.06.10V01 | Vleugelbout type CWN.32p-M6x10 mm, knop zwart technopolymer, draad verzinkt D=32 mm, L=16,5 mm, d1=12 mm, l2=3,5 mm, b=6 mm | 1,29 (3) |
| VM00.32.06.25V01 | Vleugelbout type CWN.32p-M6x25 mm, knop zwart technopolymer, draad verzinkt D=32 mm, L=16,5 mm, d1=12 mm, l2=3,5 mm, b=6 mm | 1,32 (3) |
| VM00.32.06.16V01 | Vleugelbout type CWN.32p-M6x16 mm, knop zwart technopolymer, draad verzinkt D=32 mm, L=16,5 mm, d1=12 mm, l2=3,5 mm, b=6 mm | 1,29 (3) |
| VM37.35.08.15V00 | Vleugelbout type 37-35, M8x15, knop slagvast thermoplast, zwart uitvoering: met een stalen draadbus verzinkt. | 0,85 |


Vleugelbouten, breedte 40 mm

| | | |
|------------------|---|----------|
| VM00.32.06.20V01 | Vleugelbout type CWN.32p-M6x20 mm, knop zwart technopolymer, draad verzinkt D=32 mm, L=16,5 mm, d1=12 mm, l2=3,5 mm, b=6 mm | 1,32 (3) |
| VM00.40.08.16V01 | Vleugelbout type CWN.40p-M8x16 mm, knop zwart technopolymer, draad verzinkt D=40 mm, L=21 mm, d1=13,5 mm, l2=4,5 mm, b=6,5 mm | 1,46 (3) |
| VM00.40.08.20V01 | Vleugelbout type CWN.40p-M8x20 mm, knop zwart technopolymer, draad verzinkt D=40 mm, L=21 mm, d1=13,5 mm, l2=4,5 mm, b=6,5 mm | 1,49 (3) |
| VM00.40.08.30V01 | Vleugelbout type CWN.40p-M8x30 mm, knop zwart technopolymer, draad verzinkt D=40 mm, L=21 mm, d1=13,5 mm, l2=4,5 mm, b=6,5 mm | 1,54 (3) |
| VM00.40.08.25V01 | Vleugelbout type CWN.40p-M8x25 mm, knop zwart technopolymer, draad verzinkt D=40 mm, L=21 mm, d1=13,5 mm, l2=4,5 mm, b=6,5 mm | 1,54 (3) |
| VM37.45.10.20V00 | Vleugelbout type 37-45, M10x20, knop slagvast thermoplast, zwart uitvoering: met een stalen draadbus verzinkt. | 1,17 |

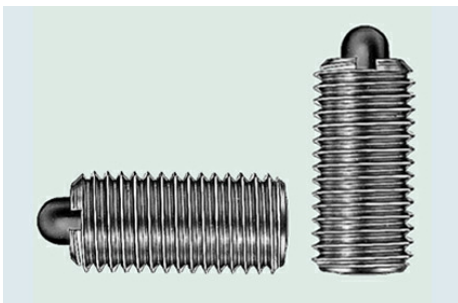


8.740 Drukstiften



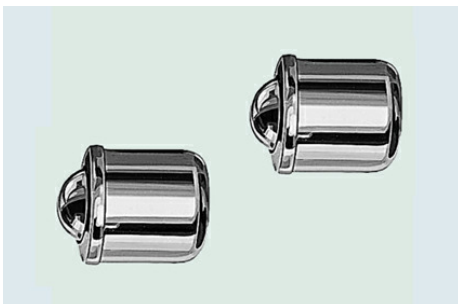
Drukstift met sleuf en kogel

DSV.40205.001 Verende drukstift, Form KN, M5x12 mm, met geharde kogel, RVS, hittebestendig 5,33



Drukstift met imbus en drukbout

DSV.41110.001 Verende drukstift, Form A, M10x22 mm, met geharde kogel, gebruieneerd automatenstaal 5,26
 DSV.41116.001 Verende drukstift, Form A, M16x32 mm, met geharde kogel, gebruieneerd automatenstaal 8,57
 DSV.41306.001 Verende drukstift, Form AN, M6x20 mm, met imbus en drukbout, geheel RVS 12,94



Drukstift met gladde huls

DSV.GN614.5.NI.0 Verende drukstift, type GN614-5-NI, Ø5x6 mm, met gladde huls, geheel RVS 1,52 (3)
 D=5 mm, L=6 mm, d=4 mm, d1=5,6 mm, l=0,9 mm, l1=1,4 mm



Bergh Special Products B.V.

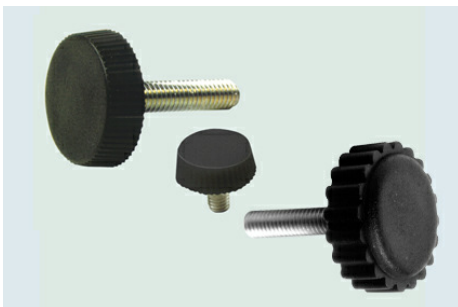
T. 0031 314 359490

F. 0031 314 359240

info@berghspecialproducts.nl

www.rolstoelonderdelen.nl

8.750 Kartelbouten en knoppen



Kartelbout type 27

| | | |
|------------------|---|------|
| KB27.14.04.014.B | Kartelbout, type 27 B, Ø14 mm, M4x14, knop slagvast thermoplast, zwart uitvoering met een stalen draadbus, verzinkt | 0,53 |
| KB27.20.05.015.B | Kartelbout, type 27 B, Ø20 mm, M5x15, knop slagvast thermoplast, zwart uitvoering met een stalen draadbus, verzinkt | 0,50 |



Kartelbout type 52

| | | |
|------------------|---|---------------------|
| KB52.12.03.006.0 | Kartelbout, vlak type 52 vlgs DIN 467, Ø12 mm, M3x6, staal, zwart | 1,50 |
| KB52.12.03.010.0 | Kartelbout, DIN 653-M3-10, knop Ø12x2,5 mm, draad M3x10, staal, zwart | 0,88 ⁽³⁾ |
| KB52.12.03.016.0 | Kartelbout, vlak type 52 vlgs DIN 467, Ø12 mm, M3x16, staal, zwart | 1,50 |
| KB52.16.04.008.0 | Kartelbout, vlak type 52 vlgs DIN 467, Ø16 mm, M4x8, staal, zwart | 1,79 |
| KB52.16.04.010.0 | Kartelbout, vlak type 52 vlgs DIN 467, Ø16 mm, M4x10, staal, zwart | 1,87 |
| KB52.16.04.012.0 | Kartelbout, vlak type 52 vlgs DIN 467, Ø16 mm, M4x12, staal, zwart | 1,90 |
| KB52.16.04.016.0 | Kartelbout, vlak type 52 vlgs DIN 467, Ø16 mm, M4x16, staal, zwart | 2,15 |
| KB52.16.04.020.0 | Kartelbout, vlak type 52 vlgs DIN 467, Ø16 mm, M4x20, staal, zwart | 2,52 |
| KB52.20.05.010.0 | Kartelbout, vlak type 52 vlgs DIN 467, Ø20 mm, M5x10, staal, zwart | 2,35 |
| KB52.20.05.012.0 | Kartelbout, vlak type 52 vlgs DIN 467, Ø20 mm, M5x12, staal, zwart | 2,46 |
| KB52.20.05.016.0 | Kartelbout, vlak type 52 vlgs DIN 467, Ø20 mm, M5x16, staal, zwart | 2,57 |
| KB52.20.05.020.0 | Kartelbout, vlak type 52 vlgs DIN 467, Ø20 mm, M5x20, staal, zwart | 2,89 |
| KB52.24.06.012.0 | Kartelbout, vlak type 52 vlgs DIN 467, Ø24 mm, M6x12, staal, zwart | 3,11 |
| KB52.24.06.016.0 | Kartelbout, vlak type 52 vlgs DIN 467, Ø24 mm, M6x16, staal, zwart | 3,26 |
| KB52.24.06.020.0 | Kartelbout, vlak type 52 vlgs DIN 467, Ø24 mm, M6x20, staal, zwart | 3,39 |



| | | |
|------------------|---|-------|
| KB52.24.06.030.0 | Kartelbout, vlak type 52 vlgs DIN 467, Ø24 mm, M6x30, staal, zwart | 4,53 |
| KB52.24.06.040.0 | Kartelbout, vlak type 52 vlgs DIN 467, Ø24 mm, M6x40, staal, zwart | 5,66 |
| KB52.30.08.016.0 | Kartelbout, vlak type 52 vlgs DIN 467, Ø30 mm, M8x16, staal, zwart | 4,39 |
| KB52.30.08.020.0 | Kartelbout, vlak type 52 vlgs DIN 467, Ø30 mm, M8x20, staal, zwart | 4,92 |
| KB52.30.08.030.0 | Kartelbout, vlak type 52 vlgs DIN 467, Ø30 mm, M8x30, staal, zwart | 5,91 |
| KB52.30.08.040.0 | Kartelbout, vlak type 52 vlgs DIN 467, Ø30 mm, M8x40, staal, zwart | 7,93 |
| KB52.30.08.025.0 | Kartelbout, vlak type 52 vlgs DIN 467, Ø30 mm, M8x25, staal, zwart | 5,24 |
| KB52.36.10.020.0 | Kartelbout, vlak type 52 vlgs DIN 467, Ø36 mm, M10x20, staal, zwart | 6,91 |
| KB52.36.10.025.0 | Kartelbout, vlak type 52 vlgs DIN 467, Ø36 mm, M10x25, staal, zwart | 7,90 |
| KB52.36.10.030.0 | Kartelbout, vlak type 52 vlgs DIN 467, Ø36 mm, M10x30, staal, zwart | 8,91 |
| KB52.36.10.040.0 | Kartelbout, vlak type 52 vlgs DIN 467, Ø36 mm, M10x40, staal, zwart | 11,43 |



Kartelbout type 67

| | | |
|------------------|---|----------|
| KB67.18.04.012V0 | Kartelbout, vlak type 67, Ø18 mm, M4x12, knop zwart Duroplast FS31 uitvoering met een stalen draadbus, verzinkt | 1,39 |
| KB67.22.05.010V0 | Kartelbout, vlak type 67, Ø22 mm, M5x10, knop zwart Duroplast FS31 uitvoering met een stalen draadbus, verzinkt | 1,35 |
| KB67.22.05.020V0 | Kartelbout, vlak type 67, Ø22 mm, M5x20, knop zwart Duroplast FS31 uitvoering met een stalen draadbus, verzinkt | 1,39 |
| KB67.22.06.015V0 | Kartelbout, type GN 529-22-M6-16 (M6x16 mm), knop zwart Duroplast d1=22, d2=M6, l=16, d3=15, h=14, k=8 | 1,64 (3) |
| KB67.22.06.020V0 | Kartelbout, vlak type 67, Ø22 mm, M6x20, knop zwart Duroplast FS31 uitvoering met een stalen draadbus, verzinkt | 1,47 |
| KB67.22.06.030V0 | Kartelbout, vlak type 67, Ø22 mm, M6x30, knop zwart Duroplast FS31 uitvoering met een stalen draadbus, verzinkt | 1,55 |
| KB67.26.06.015V0 | Kartelbout, vlak type 67, Ø26 mm, M6x15, knop zwart Duroplast FS31 uitvoering met een stalen draadbus, verzinkt | 1,59 |
| KB67.26.06.020V0 | Kartelbout, vlak type 67, Ø26 mm, M6x20, knop zwart Duroplast FS31 uitvoering met een stalen draadbus, verzinkt | 1,64 |
| KB67.26.08.015V0 | Kartelbout, vlak type 67, Ø26 mm, M8x15, knop zwart Duroplast FS31 uitvoering met een stalen draadbus, verzinkt | 1,72 |
| KB67.26.08.020V0 | Kartelbout, vlak type 67, Ø26 mm, M8x20, knop zwart Duroplast FS31 uitvoering met een stalen draadbus, verzinkt | 1,79 |
| KB67.26.08.030V0 | Kartelbout, vlak type 67, Ø26 mm, M8x30, knop zwart Duroplast FS31 uitvoering met een stalen draadbus, verzinkt | 1,90 |



Kartelbout type 88

| | | |
|------------------|---|------|
| KB88.20.04.020V0 | Kartelbout, type 88, Ø20 mm, M4x20, knop slagvast thermoplast, zwart uitvoering met een stalen draadbus, verzinkt | 0,70 |
| KB88.20.05.015V0 | Kartelbout, type 88, Ø20 mm, M5x15, knop slagvast thermoplast, zwart uitvoering met een stalen draadbus, verzinkt | 0,68 |



| | | |
|------------------|---|----------|
| KB88.20.05.015S0 | Kartelbout, type 88, Ø20 mm, M5x15, knop slagvast thermoplast, zwart uitvoering met een roestvaste draadbus | 1,22 |
| KB88.20.05.025V0 | Kartelknop, BT.20p-M5x25, Ø20 mm, verzinkte draad M5x25 mm, knop zwart polyamide D=20 mm, L=16 mm, d1=11,5 mm, d2=11 mm, l2=6 mm | 1,32 (3) |
| KB88.20.05.020S0 | Kartelbout, type 88, Ø20 mm, M5x20, knop slagvast thermoplast, zwart uitvoering met een roestvaste draadbus | 1,28 |
| KB88.25.06.015V0 | Kartelbout, type 88, Ø25 mm, M6x15, knop slagvast thermoplast, zwart uitvoering met een stalen draadbus, verzinkt | 0,78 |
| KB88.25.06.015S0 | Kartelbout, type 88, Ø25 mm, M6x15, knop slagvast thermoplast, zwart uitvoering met een roestvaste draadbus | 1,07 |
| KB88.25.06.025V0 | Kartelknop, BT.25p-M6x25, Ø25 mm, verzinkte draad M6x25 mm, knop zwart polyamide D=25 mm, L=19 mm, d1=16 mm, d2=15 mm, l2=8 mm | 1,19 (3) |
| KB88.25.06.020S0 | Kartelbout, type 88, Ø25 mm, M6x20, knop slagvast thermoplast, zwart uitvoering met een roestvaste draadbus | 1,07 |
| KB88.25.06.030V0 | Kartelbout, type 88, Ø25 mm, M6x30, knop slagvast thermoplast, zwart uitvoering met een stalen draadbus, verzinkt | 0,85 |
| KB88.25.06.030S0 | Kartelbout, type 88, Ø25 mm, M6x30, knop slagvast thermoplast, zwart uitvoering met een roestvaste draadbus | 1,22 |
| KB88.30.06.020.0 | Kartelbout, type 88, Ø30 mm, M6x20, knop slagvast thermoplast, zwart uitvoering met een stalen draadbus, verzinkt | 0,89 |
| KB88.30.06.030.0 | Kartelbout, type 88, Ø30 mm, M6x30, knop slagvast thermoplast, zwart uitvoering met een stalen draadbus, verzinkt | 0,92 |
| KB88.20.06.040V0 | Kartelbout, BT.20 p-M6x40, Ø20 mm, verzinkte draad M6x40 mm, knop zwart polyamide D=20 mm, L=16 mm, d1=11,5 mm, d2=11 mm, l2=6 mm | 1,22 (3) |
| KB88.30.08.020.0 | Kartelbout, type 88, Ø30 mm, M8x20, knop slagvast thermoplast, zwart uitvoering met een stalen draadbus, verzinkt | 1,00 |
| KB88.30.08.020.S | Kartelbout, type 88, Ø30 mm, M8x20, knop slagvast thermoplast, zwart uitvoering met een roestvaste draadbus | 1,53 |
| KB88.30.08.030.0 | Kartelbout, type 88, Ø30 mm, M8x30, knop slagvast thermoplast, zwart uitvoering met een stalen draadbus, verzinkt | 1,07 |
| KB88.30.08.030.S | Kartelbout, type 88, Ø30 mm, M8x30, knop slagvast thermoplast, zwart uitvoering met een roestvaste draadbus | 1,67 |
| KB88.30.08.040.0 | Kartelbout, type 88, Ø30 mm, M8x40, knop slagvast thermoplast, zwart uitvoering met een stalen draadbus, verzinkt | 1,17 |
| KB88.30.08.040.S | Kartelbout, type 88, Ø30 mm, M8x40, knop slagvast thermoplast, zwart uitvoering met een roestvaste draadbus | 1,80 |
| KB88.35.08.020.0 | Kartelbout, type 88, Ø35 mm, M8x20, knop slagvast thermoplast, zwart uitvoering met een stalen draadbus, verzinkt | 1,24 |
| KB88.35.08.020.S | Kartelbout, type 88, Ø35 mm, M8x20, knop slagvast thermoplast, zwart uitvoering met een roestvaste draadbus | 1,94 |
| KB88.35.08.030.0 | Kartelbout, type 88, Ø35 mm, M8x30, knop slagvast thermoplast, zwart uitvoering met een stalen draadbus, verzinkt | 1,39 |
| KB88.35.08.030.S | Kartelbout, type 88, Ø35 mm, M8x30, knop slagvast thermoplast, zwart uitvoering met een roestvaste draadbus | 2,16 |
| KB88.35.08.040.0 | Kartelbout, type 88, Ø35 mm, M8x40, knop slagvast thermoplast, zwart uitvoering met een stalen draadbus, verzinkt | 1,43 |
| KB88.35.08.040.S | Kartelbout, type 88, Ø35 mm, M8x40, knop slagvast thermoplast, zwart uitvoering met een roestvaste draadbus | 2,50 |

**Kartelknop type 52**


Kartelknop type 67

| | | |
|------------------|---|------|
| KB67.26.06.000V0 | Kartelknop, vlak type 67, Ø26 mm, M6 inwendig, knop zwart Duroplast FS31 uitvoering met een stalen draadbus, verzinkt | 1,84 |
| KB67.26.08.000V0 | Kartelknop, vlak type 67, Ø26 mm, M8 inwendig, knop zwart Duroplast FS31 uitvoering met een stalen draadbus, verzinkt | 2,09 |


Kartelknop type 88

| | | |
|------------------|--|----------|
| KB88.20.05.000M0 | Kartelknop, BT.20 B-M5, Ø20 mm, M5x6 mm inwendig, knop zwart polyamide, messing draadbus D=20 mm, L=16 mm, d1=11,5 mm, d2=11 mm, l2=6 mm | 1,15 (3) |
| KB88.20.06.000M0 | Kartelknop, BT.20 B-M6, Ø20 mm, M6x6 mm inwendig, knop zwart polyamide, messing draadbus D=20 mm, L=16 mm, d1=11,5 mm, d2=11 mm, l2=6 mm | 1,29 (3) |
| KB88.20.05.000S0 | Kartelknop, type 88, Ø20 mm, M5 inwendig, knop slagvast thermoplast, zwart uitvoering met een roestvaste draadbus | 2,59 |
| KB88.25.05.000M0 | Kartelknop, BT.25 B-M5, Ø25 mm, M5x6 mm inwendig, knop zwart polyamide, messing draadbus D=25 mm, L=19 mm, d1=16 mm, d2=15 mm, l2=8 mm | 1,31 (3) |
| KB88.25.06.000M0 | Kartelknop, BT.25 B-M6, Ø25 mm, M6x8 mm inwendig, knop zwart polyamide, messing draadbus D=25 mm, L=19 mm, d1=16 mm, d2=15 mm, l2=8 mm | 1,29 (3) |
| KB88.25.06.000.S | Kartelknop, type 88, Ø25 mm, M6 inwendig, knop slagvast thermoplast, zwart uitvoering met een roestvaste draadbus | 2,74 |
| KB88.32.08.000M0 | Kartelknop, BT.32 B-M8, Ø32 mm, M8x10 mm inwendig, knop zwart polyamide, messing draadbus D=32 mm, L=22 mm, d1=17 mm, d2=21 mm, l2=9 mm | 1,65 (3) |
| KB88.30.08.000.S | Kartelknop, type 88, Ø30 mm, M8 inwendig, knop slagvast thermoplast, zwart uitvoering met een RVS draadbus | 3,26 |
| KB88.40.10.000M0 | Kartelknop, BT.40 B-M10, Ø40 mm, M10x13 mm inwendig, knop zwart polyamide, messing draadbus D=40 mm, L=27 mm, d1=19 mm, d2=25 mm, l2=13 mm | 1,99 (3) |
| KB88.35.10.000.S | Kartelknop, type 88, Ø35 mm, M10 inwendig, knop slagvast thermoplast, zwart uitvoering met een roestvaste draadbus | 4,00 |
| KB88.16.04.000M0 | Kartelknop, BT.16 B-M4, Ø16 mm, M4x6 mm inwendig, knop zwart polyamide, messing draadbus D=16 mm, L=13 mm, d1=11 mm, d2=9 mm, l2=5 mm | 1,15 (3) |



Bergh Special Products B.V.

T. 0031 314 359490

F. 0031 314 359240

info@berghspecialproducts.nl

www.rolstoelonderdelen.nl

8.760 Stelvoeten



Stelvoet type 28

| | | |
|------------------|---|------|
| SV28.30.06.20BZ0 | Stelvoet type 28 rond 30 mm, M6x20 mm, 6-kant, uitvoering B | 0,90 |
| SV28.30.06.30BZ0 | Stelvoet type 28 rond 30 mm, M6x30 mm, 6-kant, uitvoering B | 0,97 |
| SV28.30.08.20BZ0 | Stelvoet type 28 rond 30 mm, M8x20 mm, 6-kant, uitvoering B | 0,99 |
| SV28.30.08.30BZ0 | Stelvoet type 28 rond 30 mm, M8x30 mm, 6-kant, uitvoering B | 1,07 |



Stelvoet type 81

| | | |
|------------------|---|------|
| SV81.30.08.25BZ0 | Stelvoet type 81 rond 30 mm, M8x25 mm, 6-kant, uitvoering B | 2,35 |
| SV81.42.08.25BZ0 | Stelvoet type 81 rond 42 mm, M8x25 mm, 6-kant, uitvoering B | 2,64 |

8.800 Overzicht spangrepen (knevels)



8.810 Spangrepen (knevels) met uitwendige draad



Versterkte uitvoering, uitwendige draad

| | | |
|------------------|--|----------|
| SP10042.06.16S00 | Spangreep type 10, M6x16, zwart/zwart, hendel 42 mm versterkte uitvoering: hendel glasvezel versterkte kunststof met een rvs draadbus. | 9,12 |
| SP10042.06.16V00 | Spangreep type 10, M6x16, zwart/zwart, hendel 42 mm versterkte uitvoering: hendel glasvezel versterkt kunststof met een stalen draadbus, verzinkt | 4,83 |
| SP10042.05.25V00 | Spangreep type 10, M5x25, zwart/zwart, hendel 42 mm versterkte uitvoering: hendel glasvezel versterkte kunststof met een stalen draadbus verzinkt. | 4,83 |
| SP10065.06.20V00 | Spangreep type 10, M6x20, zwart/zwart, hendel 65 mm versterkte uitvoering: hendel glasvezel versterkte kunststof met een stalen draadbus verzinkt. | 5,66 |
| SP10065.08.12V00 | Spangreep type 10, M8 x 12, zwart/zwart, hendel 65 mm versterkte uitvoering: hendel glasvezel versterkte kunststof met een stalen draadbus verzinkt. | 4,37 |
| SP10065.08.16V00 | Spangreep type 10, M8 x 16, zwart/zwart, hendel 65 mm versterkte uitvoering: hendel glasvezel versterkte kunststof met een stalen draadbus verzinkt. | 4,37 |
| SP10065.08.20V00 | Spangreep type 10, ERZ.63-p M8x20, draad M8x20, zwarte hendel 63 mm, zwarte knop versterkte uitvoering: hendel glasvezel versterkt kunststof met stalen verzinkte draad | 6,11 (3) |
| SP10065.08.25V00 | Spangreep type 10, M8x25, zwart/zwart, hendel 65 mm versterkte uitvoering: hendel glasvezel versterkte kunststof met een stalen draadbus verzinkt. | 4,37 |



| | | |
|------------------|--|-------|
| SP10065.08.40V00 | Spangreep type 10, M8x40, zwart/zwart, hendel 65 mm versterkte uitvoering: hendel glasvezel versterkte kunststof met een stalen draadbus verzinkt. | 6,36 |
| SP10065.08.50V00 | Spangreep type 10, M8x50, zwart/zwart, hendel 65 mm versterkte uitvoering: hendel glasvezel versterkte kunststof met een stalen draadbus verzinkt. | 6,36 |
| SP10065.10.20V00 | Spangreep type 10, M10x20, zwart/zwart, hendel 65 mm versterkte uitvoering: hendel glasvezel versterkte kunststof met een stalen draadbus verzinkt. | 5,66 |
| SP10065.10.25V00 | Spangreep type 10, M10x25, zwart/zwart, hendel 65 mm versterkte uitvoering: hendel glasvezel versterkte kunststof met een stalen draadbus verzinkt. | 5,66 |
| SP10065.10.32V00 | Spangreep type 10, M10x32, zwart/zwart, hendel 65 mm versterkte uitvoering: hendel glasvezel versterkte kunststof met een stalen draadbus verzinkt. | 5,66 |
| SP10078.10.20V00 | Spangreep type 10, M10x20, zwart/zwart, hendel 78 mm versterkte uitvoering: hendel glasvezel versterkte kunststof met een stalen draadbus verzinkt. | 7,49 |
| SP10078.10.25S00 | Spangreep type 10, M10x25, zwart/zwart, hendel 78 mm | 13,22 |
| SP10078.10.63V00 | Spangreep type 10, M10x63, zwart/zwart, hendel 78 mm versterkte uitvoering: hendel glasvezel versterkte kunststof met een stalen draadbus verzinkt. | 8,33 |
| SP10092.10.63V00 | Spangreep type 10, M10x63, zwart/zwart, hendel 92 mm versterkte uitvoering: hendel glasvezel versterkte kunststof met een stalen draadbus verzinkt. | 9,39 |



Eco uitvoering, uitwendige draad

| | | |
|------------------|--|----------|
| SP13042.05.10V00 | Spangreep type 13, M5 x 10, zwart/zwart, hendel 42 mm ECO uitvoering: hendel glasvezel versterkte kunststof met een stalen draadbus verzinkt. | 2,78 |
| SP13042.05.20V00 | Spangreep type 13, M5 x 20, zwart/zwart, hendel 42 mm ECO uitvoering: hendel glasvezel versterkte kunststof met een stalen draadbus verzinkt. | 2,80 |
| SP13042.06.12M00 | Spangreep type 13, M6 x 12, zwart/zwart, hendel 42 mm ECO uitvoering: hendel glasvezel versterkte kunststof met een rvs/messing draadbus/stift. | 4,59 |
| SP13042.06.15V00 | Spangreep type 13, M6 x 15, zwart/zwart, hendel 42 mm ECO uitvoering: hendel glasvezel versterkte kunststof met een stalen draadbus verzinkt. | 2,87 |
| SP13042.06.16M00 | Spangreep type 13, M6x16, zwart/zwart, hendel 42 mm ECO uitvoering: hendel glasvezel versterkte kunststof met een rvs/messing draadbus/stift. | 4,89 |
| SP13042.06.18M00 | Spangreep type 13, M6 x 18, zwart/zwart, hendel 42 mm ECO uitvoering: hendel glasvezel versterkte kunststof met een rvs/messing draadbus/stift. | 4,76 |
| SP13042.06.25V00 | Spangreep type 13, M6 x 25, zwart/zwart, hendel 42 mm ECO uitvoering: hendel glasvezel versterkte kunststof met een stalen draadbus verzinkt. | 2,90 |
| SP13042.06.30V02 | Spangreep type 13, M6 x 30, zwart/rood, hendel 42 mm ECO uitvoering: hendel glasvezel versterkte kunststof met een stalen draadbus verzinkt. | 2,91 |
| SP13042.06.30V00 | Spangreep type 13, M6 x 30, zwart/zwart, hendel 42 mm ECO uitvoering: hendel glasvezel versterkte kunststof met een stalen draadbus verzinkt. | 2,91 |
| SP13042.06.45M00 | Spangreep type 13, M6 x 45 mm, zwart/zwart, hendel 42 mm ECO uitvoering: hendel glasvezel versterkt kunststof met een vz/messing draadbus/stift | 7,84 |
| SP13042.06.45V02 | Spangreep type 13, M6 x 45, zwart/rood, hendel 42 mm ECO uitvoering: hendel glasvezel versterkte kunststof met een stalen draadbus verzinkt. | 3,14 |
| SP13042.06.45V00 | Spangreep type 13, M6 x 45, zwart/zwart, hendel 42 mm ECO uitvoering: hendel glasvezel versterkte kunststof met een stalen draadbus verzinkt. | 3,14 |
| SP13065.08.15M00 | Spangreep type 13, M8 x 15 mm, zwart/zwart, hendel 65 mm ECO uitvoering: hendel glasvezel versterkt kunststof met een vz/messing draadbus/stift | 9,25 |
| SP13065.08.15S02 | Spangreep type 13, M8 x 15, zwart/rood, hendel 65 mm ECO uitvoering: hendel glasvezel versterkte kunststof met een rvs draadbus verzinkt. | 5,44 |
| SP13065.08.15S00 | Spangreep type 13, M8x15, zwart/zwart, hendel 65 mm ECO uitvoering: hendel glasvezel versterkte kunststof met een rvs draadbus verzinkt. | 5,44 |
| SP13063.08.16V00 | Spangreep type 13, ERX.63-p M8x16-C1, draad M8x16, zwarte hendel 63 mm, zwarte knop | 3,39 (3) |
| SP13065.08.20V02 | Spangreep type 13, M8 x 20, zwart/rood, hendel 65 mm ECO uitvoering: hendel glasvezel versterkte kunststof met een stalen draadbus verzinkt. | 3,17 |
| SP13065.08.20S00 | Spangreep type 13, M8x20, zwart/zwart, hendel 65 mm ECO uitvoering: hendel glasvezel versterkte kunststof met een rvs draadbus verzinkt. | 5,44 |

**Bergh Special Products B.V.**

T. 0031 314 359490

F. 0031 314 359240

info@berghspecialproducts.nl

www.rolstoelonderdelen.nl

| | | |
|------------------|--|----------|
| SP13065.08.20V00 | Spangreep type 13, ERX.63-p M8x20-C1, draad M8x20, zwarte hendel 63 mm, zwarte knop ECO uitvoering: hendel glasvezel versterkt kunststof met stalen verzinkte draad | 3,39 (3) |
| SP13065.08.25S00 | Spangreep type 13, M8x25, zwart/zwart, hendel 65 mm | 5,44 |
| SP13065.08.25V00 | Spangreep type 13, M8 x 25, zwart/zwart, hendel 65 mm ECO uitvoering: hendel glasvezel versterkte kunststof met een stalen draadbus verzinkt. | 3,19 |
| SP13065.08.30V02 | Spangreep type 13, M8 x 30, zwart/rood, hendel 65 mm ECO uitvoering: hendel glasvezel versterkte kunststof met een stalen draadbus verzinkt. | 3,20 |
| SP13065.08.30V00 | Spangreep type 13, M8 x 30, zwart/zwart, hendel 65 mm ECO uitvoering: hendel glasvezel versterkte kunststof met een stalen draadbus verzinkt. | 3,20 |
| SP13065.08.35V02 | Spangreep type 13, M8 x 35, zwart/rood, hendel 65 mm ECO uitvoering: hendel glasvezel versterkte kunststof met een stalen draadbus verzinkt. | 3,28 |
| SP13065.08.35V00 | Spangreep type 13, M8 x 35, zwart/zwart, hendel 65 mm ECO uitvoering: hendel glasvezel versterkte kunststof met een stalen draadbus verzinkt. | 3,28 |
| SP13065.08.40V02 | Spangreep type 13, M8 x 40, zwart/rood, hendel 65 mm ECO uitvoering: hendel glasvezel versterkte kunststof met een stalen draadbus verzinkt. | 3,28 |
| SP13065.08.40V00 | Spangreep type 13, M8 x 40, zwart/zwart, hendel 65 mm ECO uitvoering: hendel glasvezel versterkte kunststof met een stalen draadbus verzinkt. | 3,28 |
| SP13065.08.60V00 | Spangreep type 13, M8 x 60, zwart/zwart, hendel 65 mm ECO uitvoering: hendel glasvezel versterkte kunststof met een stalen draadbus verzinkt. | 3,61 |
| SP13080.10.20V00 | Spangreep type 13, M10 x 20, zwart/zwart, hendel 80 mm ECO uitvoering: hendel glasvezel versterkte kunststof met een stalen draadbus verzinkt. | 3,62 |
| SP13080.10.30V02 | Spangreep type 13, M10 x 30, zwart/rood, hendel 80 mm ECO uitvoering: hendel glasvezel versterkte kunststof met een stalen draadbus verzinkt. | 3,69 |
| SP13080.10.30V00 | Spangreep type 13, M10 x 30, zwart/zwart, hendel 80 mm ECO uitvoering: hendel glasvezel versterkte kunststof met een stalen draadbus verzinkt. | 3,69 |
| SP13080.10.40V02 | Spangreep type 13, M10 x 40, zwart/rood, hendel 80 mm ECO uitvoering: hendel glasvezel versterkte kunststof met een stalen draadbus verzinkt. | 3,80 |
| SP13080.10.40V92 | Spangreep type 13, M10x40, zwart/rood, hendel 80 mm, met insteek ECO uitvoering: hendel glasvezel versterkte kunststof met een stalen draadbus verzinkt. | 7,94 |
| SP13080.10.40V00 | Spangreep type 13, M10 x 40, zwart/zwart, hendel 80 mm ECO uitvoering: hendel glasvezel versterkte kunststof met een stalen draadbus verzinkt. | 3,80 |
| SP13080.10.45V02 | Spangreep type 13, M10 x 45, zwart/rood, hendel 80 mm ECO uitvoering: hendel glasvezel versterkte kunststof met een stalen draadbus verzinkt. | 3,80 |
| SP13080.10.50V02 | Spangreep type 13, M10 x 50, zwart/rood, hendel 80 mm ECO uitvoering: hendel glasvezel versterkte kunststof met een stalen draadbus verzinkt. | 3,95 |
| SP13080.10.50V00 | Spangreep type 13, M10 x 50, zwart/zwart, hendel 80 mm ECO uitvoering: hendel glasvezel versterkte kunststof met een stalen draadbus verzinkt. | 3,95 |



Bergh Special Products B.V.

T. 0031 314 359490

F. 0031 314 359240

info@berghspecialproducts.nl

www.rolstoelonderdelen.nl

8.820 Spangrepen (knevels) met inwendige draad



Versterkte uitvoering, inwendige draad

| | | |
|------------------|--|----------|
| SP10042.06.00V00 | Spangreep type 10, M6 inwendig, zwart/zwart, hendel 42 mm versterkte uitvoering: hendel glasvezel versterkt kunststof met een stalen draadbus, verzinkt | 4,43 |
| SP10065.08.00V00 | Spangreep type 10, M8 inwendig, zwart/zwart, hendel 65 mm versterkte uitvoering: hendel glasvezel versterkte kunststof met een stalen draadbus verzinkt. | 5,07 |
| SP10078.08.00S00 | Spangreep type 10, M8 inwendig, oranje/zwart, hendel 78 mm versterkte uitvoering: hendel glasvezel versterkte kunststof met een rvs draadbus. | 13,26 |
| SP10078.08.00S10 | Spangreep type 10, M8 inwendig, oranje/zwart, hendel 78 mm versterkte uitvoering: hendel glasvezel versterkte kunststof met een rvs draadbus. | 13,26 |
| SP10078.08.00V00 | Spangreep type 10, ERZ.78 A-M8, inwendige draad M8x14, zwarte hendel 78 mm, zwarte knop versterkte uitvoering: hendel glasvezel versterkt kunststof met stalen verzinkte draadbus | 6,35 (3) |
| SP10092.10.00V00 | Spangreep type 10, M10 inwendig, zwart/zwart, hendel 92 mm versterkte uitvoering: hendel glasvezel versterkte kunststof met een stalen draadbus verzinkt. | 7,96 |
| SP10092.12.00V00 | Spangreep type 10, M12 inwendig, zwart/zwart, hendel 92 mm versterkte uitvoering: hendel glasvezel versterkte kunststof met een stalen draadbus verzinkt. | 7,96 |



Eco uitvoering, inwendige draad

| | | |
|------------------|--|------|
| SP13042.04.00V00 | Spangreep type 13, M4 inwendig, zwart/zwart, hendel 42 mm ECO uitvoering: hendel glasvezel versterkte kunststof met een stalen draadbus verzinkt. | 2,69 |
| SP13042.04.00V02 | Spangreep type 13, M4 inwendig, zwart/rood, hendel 42 mm ECO uitvoering: hendel glasvezel versterkte kunststof met een stalen draadbus verzinkt. | 2,69 |
| SP13042.05.00V00 | Spangreep type 13, M5 inwendig, zwart/zwart, hendel 42 mm ECO uitvoering: hendel glasvezel versterkte kunststof met een stalen draadbus verzinkt. | 2,69 |

**Bergh Special Products B.V.**

T. 0031 314 359490

F. 0031 314 359240

info@berghspecialproducts.nl

www.rolstoelonderdelen.nl

| | | |
|------------------|---|------|
| SP13042.05.00V02 | Spangreep type 13, M5 inwendig, zwart/rood, hendel 42 mm ECO uitvoering: hendel glasvezel versterkte kunststof met een stalen draadbus verzinkt. | 2,69 |
| SP13042.06.00S00 | Spangreep type 13, M6 inwendig, zwart/zwart, hendel 42 mm ECO uitvoering: hendel glasvezel versterkte kunststof met een stalen draadbus verzinkt. | 5,34 |
| SP13042.06.00V00 | Spangreep type 13, M6 inwendig, zwart/zwart, hendel 42 mm ECO uitvoering: hendel glasvezel versterkte kunststof met een stalen draadbus verzinkt. | 2,69 |
| SP13042.06.00V02 | Spangreep type 13, M6 inwendig, zwart/rood, hendel 42 mm ECO uitvoering: hendel glasvezel versterkte kunststof met een stalen draadbus verzinkt. | 2,69 |
| SP13065.06.00S00 | Spangreep type 13, M6 inwendig, zwart/rood, hendel 65 mm ECO uitvoering: hendel glasvezel versterkte kunststof met een rvs draadbus. | 7,02 |
| SP13065.08.00V00 | Spangreep type 13, M8 inwendig, zwart/zwart, hendel 65 mm ECO uitvoering: hendel glasvezel versterkte kunststof met een stalen draadbus verzinkt. | 2,90 |
| SP13065.08.00V02 | Spangreep type 13, M8 inwendig, zwart/rood, hendel 65 mm | 2,90 |
| SP13080.10.00V00 | Spangreep type 13, M10 inwendig, zwart/zwart, hendel 80 mm ECO uitvoering: hendel glasvezel versterkte kunststof met een stalen draadbus verzinkt. | 3,55 |
| SP13080.10.00V02 | Spangreep type 13, M10 inwendig, zwart/rood, hendel 80 mm ECO uitvoering: hendel glasvezel versterkte kunststof met een stalen draadbus verzinkt. | 3,55 |

8.900 Vergrendelingen (Zoek-snappers / Indexbout)

Indexbout type 30

Indexbout type 30 RVS

| | | |
|------------------|--|----------------------|
| ZS30.10.1.S.MV.C | Zoek-Snapper/Indexbout type 30, M10x1, stift d2 Ø5 mm, met dubbele vergrendeling uitvoering: mat.:staaldelen roestvast, knop zwart thermoplast, totaal lengte L6: 51 mm. | 21,73 ⁽³⁾ |
| ZS30.10.1.S.MV.D | Zoek-Snapper/Indexbout type GN-617.1-NI, M10x1, stift d2 Ø5 mm, met contra moer, dubb. vergrendeling uitvoering: mat.:staaldelen roestvast, knop zwart thermoplast, totaal lengte L6: 51 mm. | 25,79 |
| ZS30.10.1.S.ZV.A | Zoek-Snapper/Indexbout type 30, M10x1, stift d2 Ø5 mm, zonder vergrendeling | 20,90 |
| ZS30.10.1.S.ZV.B | Zoek-Snapper/Indexbout type 30, M10x1, stift d2 Ø5 mm, met contra moer, zonder vergrendeling | 23,08 |
| ZS30.12.1.S.MV.C | Zoek-Snapper/Indexbout type 30, M12x1.5, stift d2 Ø6 mm, met dubbele vergrendeling uitvoering: mat.:staaldelen roestvast, knop themoplast, totaal lengte L6: 61 mm. | 27,93 |
| ZS30.12.1.S.MV.D | Zoek-Snapper/Indexbout type 30, M12x1.5, stift d2 Ø6 mm, met contra moer en dubbele vergrendeling uitvoering: mat.:staaldelen roestvast, knop zwart thermoplast, totaal lengte L6: 61 mm. | 30,46 |
| ZS30.12.1.S.ZV.A | Zoek-Snapper/Indexbout type 30, M12x1.5, stift d2 Ø10 mm, zonder contra moer, zonder vergrendeling uitvoering: mat.:staaldelen roestvast, knop zwart thermoplast, totaal lengte L1: 54.5 mm. | 24,55 |
| ZS30.12.1.S.ZV.B | Zoek-Snapper/Indexbout type 30, M12x1.5, stift d2 Ø6 mm, met contra moer, zonder vergrendeling uitvoering: mat.:staaldelen roestvast, knop zwart thermoplast, totaal lengte L1: 54.5 mm. | 27,12 |
| ZS30.16.1.S.MV.C | Zoek-Snapper/Indexbout type 30, M16x1.5, stift d2 Ø8 mm, met dubbele vergrendeling | 37,88 |



| | | |
|------------------|--|-------|
| | uitvoering: mat.:staaldelen roestvast ,knop zwart thermoplast, totaal lengte L6: 75.5 mm. | |
| ZS30.16.1.S.MV.D | Zoek-Snapper/Indexbout type 30, M16x1.5, stift d2 Ø8 mm, met contra moer en dubbele vergrendeling uitvoering: mat.:staaldelen roestvast, knop zwart thermoplast, totaal lengte L6=75.5 mm | 41,40 |
| ZS30.16.1.S.ZV.A | Zoek-Snapper/Indexbout type 30, M16x1.5, stift d2 Ø10 mm, zonder vergrendeling uitvoering: mat.:staaldelen roestvast ,knop zwart thermoplast, totaal lengte L1: 69 mm. | 32,71 |
| ZS30.16.1.S.ZV.B | Zoek-Snapper/Indexbout type 30, M16x1.5, stift d2 Ø8 mm, met contra moer, zonder vergrendeling uitvoering: mat.:staaldelen roestvast ,knop zwart thermoplast, totaal lengte L1: 69 mm. | 36,25 |
| ZS30.20.1.S.ZV.A | Zoek-Snapper/Indexbout type 30, M20x1.5, stift d2 Ø10 mm, met dubbele vergrendeling uitvoering: mat.:staaldelen roestvast ,knop zwart thermoplast, totaal lengte L6: 91 mm. | 51,47 |
| ZS30.20.1.S.ZV.B | Zoek-Snapper/Indexbout type 30, M20x1.5, stift d2 Ø10 mm, met contra moer, zonder vergrendeling uitvoering: mat.:staaldelen roestvast ,knop zwart thermoplast, totaal lengte L1: 80 mm. | 55,57 |



Indexbout type 30 zwart verzinkt

| | | |
|------------------|--|-----------|
| ZS30.10.1.Z.MV.C | Zoek-Snapper/Indexbout type 30, M10x1, stift d2 Ø5 mm, zonder contra moer, met dubbele vergrendeling uitvoering: mat.:staaldelen zwart verzinkt ,knop zwart thermoplast, totaal lengte L6: 51 mm. | 10,36 (3) |
| ZS30.10.1.Z.MV.D | Zoek-Snapper/Indexbout type 30, M10x1, stift d2 Ø5 mm, met contra moer en dubbele vergrendeling uitvoering: mat.:staaldelen zwart verzinkt ,knop zwart thermoplast, totaal lengte L6: 51 mm. | 10,66 (3) |
| ZS30.10.1.Z.ZV.A | Zoek-Snapper/Indexbout type 30, M10x1, stift d2 Ø5 mm, zonder contra moer, zonder vergrendeling | 8,69 (3) |
| ZS30.10.1.Z.ZV.B | Zoek-Snapper/Indexbout type 30, M10x1, stift d2 Ø5 mm, met contra moer, zonder vergrendeling uitvoering: mat.:staaldelen zwart verzinkt ,knop zwart thermoplast, totaal lengte L1: 45 mm. | 8,99 (3) |
| ZS30.12.1.Z.MV.C | Zoek-Snapper/Indexbout type 30, M12x1.5, stift d2 Ø6 mm, met dubbele vergrendeling uitvoering: mat.:staaldelen zwart verzinkt ,knop zwart thermoplast, totaal lengte L6: 61 mm. | 17,99 |
| ZS30.12.1.Z.MV.D | Zoek-Snapper/Indexbout type 30, M12x1.5, stift d2 Ø6 mm, met contra moer en dubbele vergrendeling uitvoering: mat.:staaldelen zwart verzinkt ,knop zwart thermoplast, totaal lengte L6: 61 mm. | 18,54 |
| ZS30.12.1.Z.ZV.A | Zoek-Snapper/Indexbout type 30, M12x1.5, stift d2 Ø6 mm, zonder vergrendeling uitvoering: mat.:staaldelen zwart verzinkt ,knop zwart thermoplast, totaal lengte L1: 54.5 mm. | 14,23 |
| ZS30.12.1.Z.ZV.B | Zoek-Snapper/Indexbout type 30, M12x1.5, stift d2 Ø6 mm, met contra moer, zonder vergrendeling uitvoering: mat.:staaldelen zwart verzinkt ,knop zwart thermoplast, totaal lengte L1: 54.5 mm. | 9,88 (3) |
| ZS30.16.1.Z.MV.C | Zoek-Snapper/Indexbout type GN 617.1-A, M16x1.5, stift d2 Ø8 mm, met dubbele vergrendeling uitvoering: mat.:staaldelen zwart verzinkt ,knop zwart thermoplast, totaal lengte L6: 75.5 mm. | 18,55 |
| ZS30.16.1.Z.MV.D | Zoek-Snapper/Indexbout type 30, M16x1.5, stift d2 Ø8 mm, met contra moer en dubbele vergrendeling uitvoering: mat.:staaldelen zwart verzinkt ,knop zwart thermoplast, totaal lengte L6: 75.5 mm. | 22,61 |
| ZS30.16.1.Z.ZV.A | Zoek-Snapper/Indexbout type 30, M16x1.5, stift d2 Ø10 mm, zonder vergrendeling uitvoering: mat.:staaldelen zwart verzinkt ,knop zwart thermoplast, totaal lengte L1: 69 mm. | 18,50 |
| ZS30.16.1.Z.ZV.B | Zoek-Snapper/Indexbout type 30, M20x1.5, stift d2 Ø10 mm, met contra moer, zonder vergrendeling uitvoering: mat.:staaldelen zwart verzinkt ,knop zwart thermoplast, totaal lengte L1: 69 mm. | 19,54 |
| ZS30.20.1.Z.MV.C | Zoek-Snapper/Indexbout type 30, M20x1.5, stift d2 Ø10 mm, met dubbele vergrendeling uitvoering: mat.:staaldelen zwart verzinkt ,knop zwart thermoplast, totaal lengte L6: 91 mm. | 39,55 |
| ZS30.20.1.Z.MV.D | Zoek-Snapper/Indexbout type 30, M20x1.5, stift d2 Ø10 mm, met contra moer en dubbele vergrendeling uitvoering: mat.:staaldelen zwart verzinkt ,knop zwart thermoplast, totaal lengte L6: 91 mm. | 41,33 |
| ZS30.20.1.Z.ZV.A | Zoek-Snapper/Indexbout type 30, M20x1.5, stift d2 Ø10 mm, met contra moer, zonder vergrendeling uitvoering: mat.:staaldelen zwart verzinkt ,knop zwart thermoplast, totaal lengte L1: 80 mm. | 25,39 |
| ZS30.20.1.Z.ZV.B | Zoek-Snapper/Indexbout type 30, M20x1.5, stift d2 Ø10 mm, met contra moer, zonder vergrendeling uitvoering: mat.:staaldelen zwart verzinkt ,knop zwart thermoplast, totaal lengte L1: 80 mm. | 27,22 |



Indexbout type 49

| | | |
|------------------|---|----------|
| ZS49.10.1.V.ZV.B | Zoek-Snapper/Indexbout type 49, M10x1, stift d2 Ø5 mm, met zwarte contra moer, zonder vergrendeling | 9,54 (3) |
|------------------|---|----------|



Indexbout type 59

| | | |
|------------------|---|-------|
| ZS59.10.1.S.ZV.B | Zoek-Snapper/Indexbout type 59, M10x1, stift d2 Ø5 mm, met contra moer, zonder vergrendeling uitvoering: mat.:staaldelen roestvast ,knop zwart thermoplast, totaal lengte L1: 44 mm. | 20,53 |
| ZS59.10.1.V.ZV.B | Zoek-Snapper/Indexbout type 59, M10x1, stift d2 Ø5 mm, met contra moer, zonder vergrendeling uitvoering: mat.:staaldelen roestvast ,knop zwart thermoplast, totaal lengte L1: 44 mm. | 11,20 |



Indexbout type 77

| | | |
|------------------|---|------|
| ZS77.10.1.S.ZV.A | Zoek-Snapper/Indexbout type 77, M10x1, stift d2 Ø6 mm, zonder vergrendeling uitvoering: mat.:compleet roestvast , totaal lengte L1: 31 mm. | 4,98 |
| ZS77.10.1.V.MV.C | Zoek-Snapper/Indexbout type 77, M10x1, stift d2 Ø6 mm, dubbele vergrendeling uitvoering: mat.:compleet staal verzinkt (blauw/wit) , totaal lengte L1: 31 mm. | 2,57 |
| ZS77.10.1.V.ZV.A | Zoek-Snapper/Indexbout type 77, M10x1, stift d2 Ø6 mm, zonder vergrendeling uitvoering: mat.:compleet staal verzinkt (blauw/wit) , totaal lengte L1: 31 mm. | 2,43 |
| ZS77.12.1.V.MV.C | Zoek-Snapper/Indexbout type 77, M12x1.75, stift d2 Ø7 mm, dubbele vergrendeling | 4,52 |
| ZS77.12.1.V.ZV.A | Zoek-Snapper/Indexbout type 77, M12x1.75, stift d2 Ø7 mm, zonder vergrendeling | 4,20 |



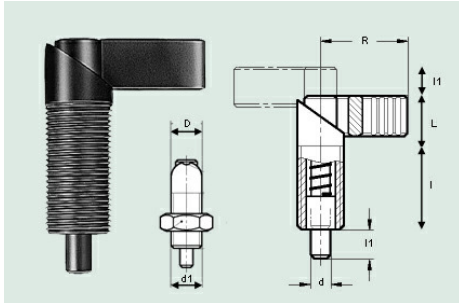
Bergh Special Products B.V.

T. 0031 314 359490

F. 0031 314 359240

info@berghspecialproducts.nl

www.rolstoelonderdelen.nl



Indexbout type 612

| | | |
|------------------|---|-----------|
| GN.612.8M16AK.S0 | Trekgrendel/indexbout GN 612-8-M16x1.5-AK-NI, met moer, zonder kunststof kap d=Ø8 mm, d1=M16x1,5 mm, D=16 mm, l=30 mm, l1=10 mm, R=32 mm, R1=32 mm, L=16 mm | 51,23 |
| GN.822.4.B.ST | Mini Indexbout/Blokkeerbout, type GN 822-4-B-ST, M8x0,75, stift d Ø4 mm, zonder vergrendeling d1= M8x0,75, D=21 mm, d2=15 mm, L=26,5 mm, l=5 mm, l1=min. 5 mm, l2=min.3,5 mm, staal verzinkt | 0,00 |
| GN.822.4.C.ST | Mini Indexbout / Blokkeerbout, type GN 822-4-C-ST, M8x0,75, stift d Ø4 mm, zonder vergrendeling d1=M8x0,75, D=21 mm, d2=15 mm, L=26,5 mm, l=5 mm, l1=min. 5 mm, l2 =min.3,5 mm, staal verzinkt | 0,00 |
| GN.612.6M12A | Trekgrendel/indexbout GN 612-6-M12x1.5-A, zonder moer, zonder kunststof kap d=Ø6 mm, d1=M12x1,5 mm, D=12 mm, l=26 mm, l1=8 mm, R=26 mm, R1=-, L=13 mm | 14,19 (3) |
| GN.707.36.B17.NI | Gedeelde stel/klemring GN 707-36-B16-NI, D=Ø36 mm, d H8=Ø17 mm, L=13 mm, M5, RVS 303 | 17,35 (3) |
| GN.707.42.B18.NI | Gedeelde stel/klemring GN 707-42-B18-NI, D=Ø42 mm, d H8=Ø18 mm, L=15 mm, M5, RVS 303 | 19,41 (3) |
| ZS612.16.1ZMV.D | Vergrendeling/indexbout Norm 612- 8, 16x1,5, stift d2 Ø8 mm, met vergrendeling, met moer staaldelen zwart, vleugelknop zonder zwart thermoplast-kapje, totaal lengte L = 56 mm | 29,28 |



Bergh Special Products B.V.

T. 0031 314 359490

F. 0031 314 359240

info@berghspecialproducts.nl

www.rolstoelonderdelen.nl

8.1000 Klittenband



8.1010 Klittenband wit



Klittenband wit, breedte 16mm

| | | |
|------------------|---|-------|
| KBW016.005.BS000 | Klittenband wit, haak+lus, niet zelfklevend, breedte 16 mm, rol 5 meter | 10,23 |
| KBW016.005.HS000 | Klittenband wit, haak, niet zelfklevend, breedte 16 mm, rol 5 meter | 4,83 |
| KBW016.005.HS100 | Klittenband wit, haak, zelfklevend, breedte 16 mm, rol 5 meter | 6,84 |
| KBW016.005.LS000 | Klittenband wit, lus, niet zelfklevend, breedte 16 mm, rol 5 meter | 4,83 |
| KBW016.005.LS100 | Klittenband wit, lus, zelfklevend, breedte 16 mm, rol 5 meter | 6,84 |



Bergh Special Products B.V.

T. 0031 314 359490

F. 0031 314 359240

info@berghspecialproducts.nl

www.rolstoelonderdelen.nl



Klittenband wit, breedte 20mm

| | | |
|------------------|---|-------|
| KBW020.005.BS000 | Klittenband wit, haak+lus, niet zelfklevend, breedte 20 mm, rol 5 meter | 12,04 |
| KBW020.005.HS000 | Klittenband wit, haak, niet zelfklevend, breedte 20 mm, rol 5 meter | 5,60 |
| KBW020.005.HS100 | Klittenband wit, haak, zelfklevend, breedte 20 mm, rol 5 meter | 7,76 |
| KBW020.005.LS000 | Klittenband wit, lus, niet zelfklevend, breedte 20 mm, rol 5 meter | 5,60 |
| KBW020.005.LS100 | Klittenband wit, lus, zelfklevend, breedte 20 mm, rol 5 meter | 7,76 |



Klittenband wit, breedte 25mm

| | | |
|------------------|---|-------|
| KBW025.005.BS000 | Klittenband wit, haak+lus, niet zelfklevend, breedte 25 mm, rol 5 meter | 13,50 |
| KBW025.005.HS000 | Klittenband wit, haak, niet zelfklevend, breedte 25 mm, rol 5 meter | 6,07 |
| KBW025.005.HS100 | Klittenband wit, haak, zelfklevend, breedte 25 mm, rol 5 meter | 8,84 |
| KBW025.005.LS000 | Klittenband wit, lus, niet zelfklevend, breedte 25 mm, rol 5 meter | 6,07 |
| KBW025.005.LS100 | Klittenband wit, lus, zelfklevend, breedte 25 mm, rol 5 meter | 8,84 |
| KBW025.025.HS101 | Klittenband wit, haak, zelfklevend, breedte 25 mm, rol 25 meter | 31,79 |



Klittenband wit, breedte 30mm

| | | |
|------------------|---|-------|
| KBW030.005.BS000 | Klittenband wit, haak+lus, niet zelfklevend, breedte 30 mm, rol 5 meter | 15,20 |
| KBW030.005.HS000 | Klittenband wit, haak, niet zelfklevend, breedte 30 mm, rol 5 meter | 7,02 |
| KBW030.005.HS100 | Klittenband wit, haak, zelfklevend, breedte 30 mm, rol 5 meter | 10,42 |
| KBW030.005.LS000 | Klittenband wit, lus, niet zelfklevend, breedte 30 mm, rol 5 meter | 7,02 |
| KBW030.005.LS100 | Klittenband wit, lus, zelfklevend, breedte 30 mm, rol 5 meter | 10,42 |



Bergh Special Products B.V.

T. 0031 314 359490

F. 0031 314 359240

info@berghspecialproducts.nl

www.rolstoelonderdelen.nl



Klittenband wit, breedte 38mm

| | | |
|------------------|---|-------|
| KBW038.005.BS000 | Klittenband wit, haak+lus, niet zelfklevend, breedte 38 mm, rol 5 meter | 19,68 |
| KBW038.005.HS000 | Klittenband wit, haak, niet zelfklevend, breedte 38 mm, rol 5 meter | 8,07 |
| KBW038.005.HS100 | Klittenband wit, haak, zelfklevend, breedte 38 mm, rol 5 meter | 12,09 |
| KBW038.005.LS000 | Klittenband wit, lus, niet zelfklevend, breedte 38 mm, rol 5 meter | 8,07 |
| KBW038.005.LS100 | Klittenband wit, lus, zelfklevend, breedte 38 mm, rol 5 meter | 12,09 |



Klittenband wit, breedte 50mm

| | | |
|------------------|---|-------|
| KBW050.005.BS000 | Klittenband wit, haak+lus, niet zelfklevend, breedte 50 mm, rol 5 meter | 22,50 |
| KBW050.005.HS000 | Klittenband wit, haak, niet zelfklevend, breedte 50 mm, rol 5 meter | 9,46 |
| KBW050.005.HS100 | Klittenband wit, haak, zelfklevend, breedte 50 mm, rol 5 meter | 14,55 |
| KBW050.005.LS000 | Klittenband wit, lus, niet zelfklevend, breedte 50 mm, rol 5 meter | 9,46 |
| KBW050.005.LS100 | Klittenband wit, lus, zelfklevend, breedte 50 mm, rol 5 meter | 14,55 |
| KBW050.025.LS001 | Klittenband wit, lus, niet zelfklevend, breedte 50 mm, rol 25 meter | 35,01 |



Bergh Special Products B.V.

T. 0031 314 359490

F. 0031 314 359240

info@berghspecialproducts.nl

www.rolstoelonderdelen.nl

8.1010 Klittenband zwart



Klittenband zwart, breedte 16mm

| | | |
|------------------|---|-------|
| KBZ016.005.BS000 | Klittenband zwart, haak+lus, niet zelfklevend, breedte 16 mm, rol 5 meter | 10,23 |
| KBZ016.005.HS000 | Klittenband zwart, haak, niet zelfklevend, breedte 16 mm, rol 5 meter | 4,83 |
| KBZ016.005.HS100 | Klittenband zwart, haak, zelfklevend, breedte 16 mm, rol 5 meter | 6,84 |
| KBZ016.025.HS100 | Klittenband zwart, haak, zelfklevend, breedte 16 mm, rol 25 meter | 20,18 |
| KBZ016.025.LS100 | Klittenband zwart, lus, zelfklevend, breedte 16 mm, rol 25 meter | 20,18 |
| KBZ016.005.LS000 | Klittenband zwart, lus, niet zelfklevend, breedte 16 mm, rol 5 meter | 4,83 |
| KBZ016.005.LS100 | Klittenband zwart, lus, zelfklevend, breedte 16 mm, rol 5 meter | 6,84 |



Klittenband zwart, breedte 20mm

| | | |
|------------------|---|-------|
| KBZ020.005.BS000 | Klittenband zwart, haak+lus, niet zelfklevend, breedte 20 mm, rol 5 meter | 12,04 |
| KBZ020.005.HS000 | Klittenband zwart, haak, niet zelfklevend, breedte 20 mm, rol 5 meter | 5,60 |
| KBZ020.005.HS100 | Klittenband zwart, haak, zelfklevend, breedte 20 mm, rol 5 meter | 7,76 |
| KBZ020.005.LS000 | Klittenband zwart, lus, niet zelfklevend, breedte 20 mm, rol 5 meter | 5,60 |
| KBZ020.005.LS100 | Klittenband zwart, lus, zelfklevend, breedte 20 mm, rol 5 meter | 7,76 |
| KBZ020.025.HS100 | Klittenband zwart, haak, zelfklevend, breedte 20 mm, rol 25 meter | 25,10 |
| KBZ020.025.LS100 | Klittenband zwart, lus, zelfklevend, breedte 20 mm, rol 25 meter | 25,10 |

**Bergh Special Products B.V.**

T. 0031 314 359490

F. 0031 314 359240

info@berghspecialproducts.nl

www.rolstoelonderdelen.nl

**Klittenband zwart, breedte 25mm**

| | | |
|------------------|---|-------|
| KBZ025.005.BS000 | Klittenband zwart, haak+lus, niet zelfklevend, breedte 25 mm, rol 5 meter | 13,50 |
| KBZ025.005.HS000 | Klittenband zwart, haak, niet zelfklevend, breedte 25 mm, rol 5 meter | 6,07 |
| KBZ025.005.HS100 | Klittenband zwart, haak, zelfklevend, breedte 25 mm, rol 5 meter | 8,84 |
| KBZ025.005.LS000 | Klittenband zwart, lus, niet zelfklevend, breedte 25 mm, rol 5 meter | 6,07 |
| KBZ025.005.LS100 | Klittenband zwart, lus, zelfklevend, breedte 25 mm, rol 5 meter | 8,84 |
| KBZ025.025.BZ000 | Klittenband zwart, haak+lus, zware kwaliteit, breedte 25 mm, rol 25 meter | 74,09 |
| KBZ025.025.HS100 | Klittenband zwart, haak, zelfklevend, breedte 25 mm, rol 25 meter | 31,79 |
| KBZ025.025.HZ000 | Klittenband zwart, haak, niet zelfklevend, zware kwaliteit, breedte 25 mm, rol 25 meter | 25,85 |
| KBZ025.025.LS100 | Klittenband zwart, lus, zelfklevend, breedte 25 mm, rol 25 meter | 31,79 |
| KBZ025.025.LZ000 | Klittenband zwart, lus, niet zelfklevend, zware kwaliteit, breedte 25 mm, rol 25 meter | 25,85 |

**Klittenband zwart, breedte 30mm**

| | | |
|------------------|---|-------|
| KBZ030.005.BS000 | Klittenband zwart, haak+lus, niet zelfklevend, breedte 30 mm, rol 5 meter | 15,20 |
| KBZ030.005.HS000 | Klittenband zwart, haak, niet zelfklevend, breedte 30 mm, rol 5 meter | 7,02 |
| KBZ030.005.HS100 | Klittenband zwart, haak, zelfklevend, breedte 30 mm, rol 5 meter | 10,42 |
| KBZ030.005.LS000 | Klittenband zwart, lus, niet zelfklevend, breedte 30 mm, rol 5 meter | 7,02 |
| KBZ030.005.LS100 | Klittenband zwart, lus, zelfklevend, breedte 30 mm, rol 5 meter | 10,42 |

**Klittenband zwart, breedte 38mm**

| | | |
|------------------|---|-------|
| KBZ038.005.BS000 | Klittenband zwart, haak+lus, niet zelfklevend, breedte 38 mm, rol 5 meter | 19,68 |
| KBZ038.005.HS000 | Klittenband zwart, haak, niet zelfklevend, breedte 38 mm, rol 5 meter | 8,07 |
| KBZ038.005.HS100 | Klittenband zwart, haak, zelfklevend, breedte 38 mm, rol 5 meter | 12,09 |
| KBZ038.025.HS100 | Klittenband zwart, haak, zelfklevend, breedte 38 mm, rol 25 meter | 55,15 |
| KBZ038.005.LS000 | Klittenband zwart, lus, niet zelfklevend, breedte 38 mm, rol 5 meter | 8,07 |
| KBZ038.005.LS100 | Klittenband zwart, lus, zelfklevend, breedte 38 mm, rol 5 meter | 12,09 |
| KBZ038.025.LS100 | Klittenband zwart, lus, zelfklevend, breedte 38 mm, rol 25 meter | 55,15 |



Bergh Special Products B.V.

T. 0031 314 359490

F. 0031 314 359240

info@berghspecialproducts.nl

www.rolstoelonderdelen.nl



Klittenband zwart, breedte 50mm

| | | |
|------------------|---|--------|
| KBZ050.005.BS000 | Klittenband zwart, haak+lus, niet zelfklevend, breedte 50 mm, rol 5 meter | 22,50 |
| KBZ050.005.HS000 | Klittenband zwart, haak, niet zelfklevend, breedte 50 mm, rol 5 meter | 9,46 |
| KBZ050.005.HS100 | Klittenband zwart, haak, zelfklevend, breedte 50 mm, rol 5 meter | 14,55 |
| KBZ050.005.LS000 | Klittenband zwart, lus, niet zelfklevend, breedte 50 mm, rol 5 meter | 9,46 |
| KBZ050.005.LS100 | Klittenband zwart, lus, zelfklevend, breedte 50 mm, rol 5 meter | 14,55 |
| KBZ050.025.BZ000 | Klittenband zwart, haak+lus, zware kwaliteit, breedte 50 mm, rol 25 meter | 136,03 |
| KBZ050.025.HS100 | Klittenband zwart, haak, zelfklevend, breedte 50 mm, rol 25 meter | 61,78 |
| KBZ050.025.HZ000 | Klittenband zwart, haak, niet zelfklevend, zware kwaliteit, breedte 50 mm, rol 25 meter | 47,43 |
| KBZ050.025.LS100 | Klittenband zwart, lus, zelfklevend, breedte 50 mm, rol 25 meter | 61,78 |
| KBZ050.025.LZ000 | Klittenband zwart, lus, niet zelfklevend, zware kwaliteit, breedte 50 mm, rol 25 meter | 47,43 |

8.1200 Trillingsdempers



Trillingsdemper type 1 (A)

| | | |
|------------------|---|------|
| TD020008.1A06.00 | Cilindrische trillings-demper / Silence blocks, type 1 (A) 20-08-1, afm. Ø20x8 mm, NK 55 +/- Shore uitvoering met 2-zijdig uitwendig M6x10, metaaldeel verzinkt. | 1,62 |
| TD020008.1A06.S0 | Cilindrische trillings-demper / Silence blocks, type 1 (A) 20-08-1, afm. Ø20x8 mm, NK 55 +/- Shore uitvoering:1-zijdig uitwendig M 6x10 & 1-zijdig uitwendig Kunststof schroefdraad,metaaldeel verzinkt | 1,62 |
| TD020020.1A06.00 | Cilindrische trillings-demper / Silence blocks, type 1 (A) 20-20-1, afm. Ø20x20 mm, NK 55 +/- Shore uitvoering: met 2-zijdig uitwendig M 6x18,metaaldeel verzinkt. | 1,40 |
| TD020025.1A06.00 | Cilindrische trillings-demper / Silence blocks, type 1 (A) 20-25-1, afm. Ø20x25 mm, NK 55 +/- Shore uitvoering met 2-zijdig uitwendig M6x18, metaaldeel verzinkt. | 1,40 |
| TD025015.1A06.00 | Cilindrische trillings-demper / Silence blocks, type 1 (A) 25-15-1, afm. Ø25x15 mm, NK 55 +/- Shore uitvoering: met 2-zijdig uitwendig M 6x18,metaaldeel verzinkt. | 1,54 |
| TD025020.1A06.00 | Cilindrische trillings-demper / Silence blocks, type 1 (A) 25-20-1, afm. Ø25x20 mm, NK 55 +/- Shore uitvoering met 2-zijdig uitwendig M6x18, metaaldeel verzinkt. | 1,51 |
| TD030015.1A08.00 | Cilindrische trillings-demper / Silence blocks, type 1 (A) 30-15-1, afm. Ø30x15 mm, NK 55 +/- Shore uitvoering: met 2-zijdig uitwendig M8x20, metaaldeel verzinkt | 1,93 |
| TD040030.1A08.00 | Cilindrische trillings-demper / Silence blocks, type 1 (A) 40-30-1, afm. Ø40x30 mm, NK 55 +/- Shore uitvoering met 2-zijdig uitwendig M8x23, metaaldeel verzinkt. | 2,39 |



Trillingsdemper type 2 (B)

| | | |
|------------------|--|------|
| TD020015.2B06.00 | Cilindrische trillings-demper / Silence blocks, type 2 (B) 20-15-2, afm. Ø20x15 mm, NK 55 +/- Shore uitvoering: met 1-zijdig inwendig M6x 6 en 1-zijdig uitwendig M6x18, metaaldeel verzinkt | 1,12 |
| TD025015.2B06.00 | Cilindrische trillings-demper / Silence blocks, type 2 (B) 25-15-2, afm. Ø25x15 mm, NK 55 +/- Shore uitvoering: met 1-zijdig inwendig M6x 6 en 1-zijdig uitwendig M6x18, metaaldeel verzinkt | 1,51 |



Bergh Special Products B.V.

T. 0031 314 359490

F. 0031 314 359240

info@berghspecialproducts.nl

www.rolstoelonderdelen.nl

| | | |
|------------------|---|------|
| TD040030.2B10.00 | Cilindrische trillings-demper / Silence blocks, type 2 (B) 40-30-2/S, afm. Ø40x30 mm, NK 55 +/- Shore uitvoering: met 1-zijdig inwendig M10x10 en 1-zijdig uitwendig M10x28, metaaldeel verzinkt. | 3,32 |
| TD040040.2B08.00 | Cilindrische trillings-demper / Silence blocks, type 2 (B) 40-40-2, afm. Ø40x40 mm, NK 55 +/- Shore uitvoering: met 1-zijdig inwendig M8x8 en 1-zijdig uitwendig M8x23, metaaldeel verzinkt. | 3,24 |
| TD050040.2B10.00 | Cilindrische trillings-demper / Silence blocks, type 2 (B) 50-40-2, afm. Ø50x40 mm, NK 55 +/- Shore uitvoering: met 1-zijdig inwendig M10x10 en 1-zijdig uitwendig M10x28, metaaldeel verzinkt. | 5,05 |



Trillingsdemper type 3 (C)

| | | |
|------------------|---|------|
| TD008008.3C03.00 | Cilindrische trillings-demper / Silence blocks, type 3 (C) 8-8-3, afm. Ø8x8 mm, NK 55 +/- Shore uitvoering met 2-zijdig inwendig M3x3, metaaldeel verzinkt. | 1,16 |
| TD010010.3C04.00 | Cilindrische trillings-demper / Silence blocks, type 3 (C) 10-10-3, afm. Ø10x10 mm, NK 55 +/- Shore uitvoering met 2-zijdig inwendig M4x4, metaaldeel verzinkt. | 1,16 |
| TD015015.3C04.00 | Cilindrische trillings-demper / Silence blocks, type 3 (C) 15-15-3, afm. Ø15x15 mm, NK 55 +/- Shore uitvoering met 2-zijdig inwendig M4x5, metaaldeel verzinkt. | 1,25 |
| TD015015.3C05.00 | Cilindrische trillings-demper / Silence blocks, type 3 (C) 15-15-3, afm. Ø15x15 mm, NK 55 +/- Shore uitvoering met 2-zijdig inwendig M5x5, metaaldeel verzinkt. | 1,32 |
| TD020025.3C06.00 | Cilindrische trillings-demper / Silence blocks, type 3 (C) 20-25-3, afm. Ø20x25 mm, NK 55 +/- Shore uitvoering met 2-zijdig inwendig M6x6, metaaldeel verzinkt. | 1,35 |
| TD030020.3C08.00 | Cilindrische trillings-demper / Silence blocks, type 3 (C) 30-20-3, afm. Ø30x20 mm, NK 55 +/- Shore uitvoering: met 2-zijdig inwendig M8x8, metaaldeel verzinkt. | 1,91 |
| TD030040.3C08.00 | Cilindrische trillings-demper / Silence blocks, type 3 (C) 30-40-3, afm. Ø30x40 mm, NK 55 +/- Shore uitvoering met 2-zijdig inwendig M8x8 mm, metaaldeel verzinkt | 2,79 |
| TD040050.3C08.00 | Cilindrische trillings-demper / Silence blocks, type 3 (C) 40-50-3, afm. Ø40x50 mm, NK 55 +/- Shore uitvoering met 2-zijdig inwendig M8x8, metaaldeel verzinkt | 7,02 |



Trillingsdemper type 4 (D)

| | | |
|------------------|---|------|
| TD010010.4D04.00 | Cilindrische trillings-demper / Silence blocks, type 4 (D) 10-10-4, afm. Ø10x10 mm, NK 55 +/- Shore | 0,65 |
| TD015010.4D04.00 | Cilindrische trillings-demper / Silence blocks, type 4 (D) 15-10-4, afm. Ø15x10 mm, NK 55 +/- Shore | 0,73 |
| TD015015.4D04.00 | Cilindrische trillings-demper / Silence blocks, type 4 (D) 15-15-4, afm. Ø15x15 mm, NK 55 +/- Shore | 0,77 |
| TD020005.4D06.00 | Cilindrische trillings-demper / Silence blocks, type 4 (D) 20-05-4, afm. Ø20x5 mm, NK 55 +/- Shore | 0,81 |
| TD020005.4D06.S0 | Cilindrische trillings-demper / Silence blocks, type 4 (D) 20-05-4, afm. Ø20x5 mm, NK 85 +/- Shore | 1,16 |
| TD030020.4D08.00 | Cilindrische trillings-demper / Silence blocks, type 4 (D) 30-20-4, afm. Ø30x20 mm, NK 55 +/- Shore | 1,62 |
| TD040030.4D08.00 | Cilindrische trillings-demper / Silence blocks, type 4 (D) 40-30-4, afm. Ø40x30 mm, NK 55 +/- Shore | 2,32 |
| TD040035.4D10.10 | Cilindrische trillings-demper / Silence blocks, type 4 (D) 40-35-4/S, afm. Ø40x35 mm, NK 55 +/- Shore | 2,05 |
| TD050020.4D10.00 | Cilindrische trillings-demper / Silence blocks, type 4 (D) 50-20-4, afm. Ø50x20 mm, NK 55 +/- Shore | 3,79 |



Trillingsdemper type 5 (E)

| | | |
|------------------|---|------|
| TD015015.5E04.00 | Cilindrische trillings-demper / Silence blocks, type 5 (E) 15-15-5, afm. Ø15x15 mm, NK 55 +/- Shore uitvoering:met 1-zijdig inwendig M4x5,metaaldeel geel verzinkt. | 0,92 |
| TD040040.5E08.00 | Cilindrische trillings-demper / Silence blocks, type 5 (E) 40-40-5, afm. Ø40x40 mm, NK 55 +/- Shore uitvoering met 1-zijdig inwendig M8x8, metaaldeel geel verzinkt | 2,80 |
| TD020025.5E06.00 | Cilindrische trillings-demper / Silence blocks, type 5 (E) 20-25-5, afm. Ø15x15 mm, NK 55 +/- Shore uitvoering:met 1-zijdig inwendig M6x6,metaaldeel geel verzinkt. | 1,03 |
| TD020015.5E06.00 | Cilindrische trillings-demper / Silence blocks, type 5 (E) 20-15-5, afm. Ø20x15 mm, NK 55 +/- Shore uitvoering:met 1-zijdig inwendig M6x6 ,metaaldeel geel verzinkt | 1,08 |
| TD020015.5E06.S0 | Cilindrische trillings-demper / Silence blocks, type 5 (E) 20-15-5, afm. Ø20x15 mm, NK 85 +/- Shore uitvoering met 1-zijdig inwendig M6x6, metaaldeel verzinkt | 1,52 |



Trillingsdemper type CT

| | | |
|------------------|--|------|
| TD040048.CT08.00 | Cilindrische trillings-demper / Silence blocks, type CT 40-48, afm. Ø40x48 mm, NK 55 +/- Shore | 6,37 |
|------------------|--|------|



Trillingsdemper type KP

| | | |
|------------------|---|------|
| TD025020.KP06.00 | Cilindrische trillings-demper / Silence blocks, type KP 25-20/S1, afm. Ø25x20 mm, NK 55 +/- Shore uitvoering:parabolisch, met 1-zijdig uitwendig M6x18, metaaldeel verzinkt | 2,74 |
|------------------|---|------|



Bergh Special Products B.V.

T. 0031 314 359490

F. 0031 314 359240

info@berghspecialproducts.nl

www.rolstoelonderdelen.nl



Trillingsdemper type K0

| | | |
|------------------|--|------|
| TD038035.KO10.00 | Cilindrische trillings-demper / Silence blocks, type K0 133006-2, afm. Ø38-Ø30x35 mm, NK 70 +/- Shore uitvoering: conisch, met 1-zijdig uitwendig M10x27, metaaldeel verzinkt | 5,84 |
| TD043035.KO10.00 | Cilindrische trillings-demper / Silence blocks, type K0 133006-1, afm. Ø43-Ø30x35 mm, NK 70 +/- Shore uitvoering: conisch, met 1-zijdig uitwendig M10x27, metaaldeel verzinkt | 5,78 |
| TD043050.KO10.00 | Cilindrische trillings-demper / Silence blocks, type K0 133006, afm. Ø43-Ø30x50 mm, NK 70 +/- Shore uitvoering: conisch, met 1-zijdig uitwendig M10x25, metaaldeel verzinkt | 6,83 |

8.1300 Inslagdoppen



Type GL



Inslagdoppen t.b.v. buizen met een binnendiameter groter dan 40 mm zijn op aanvraag leverbaar.

| | | |
|------------------|---|------|
| ISD.GL0.A010.010 | Inslagdop voor ronde buis (uitwendig) Ø10 mm, wanddikte 1-2 mm, zwart PE, type GL | 0,12 |
| ISD.GL0.A012.012 | Inslagdop voor ronde buis (uitwendig) Ø12 mm, wanddikte 1-2 mm, zwart PE, type GL | 0,12 |
| ISD.GL0.A013.013 | Inslagdop voor ronde buis (uitwendig) Ø13 mm, wanddikte 1-2 mm, zwart PE, type GL | 0,12 |
| ISD.GL0.A014.014 | Inslagdop voor ronde buis (uitwendig) Ø14 mm, wanddikte 1-2 mm, zwart PE, type GL | 0,12 |
| ISD.GL0.A015.015 | Inslagdop voor ronde buis (uitwendig) Ø15 mm, wanddikte 1-2 mm, zwart PE, type GL | 0,14 |
| ISD.GL0.A016.016 | Inslagdop voor ronde buis (uitwendig) Ø16 mm, wanddikte 1-2 mm, zwart PE, type GL | 0,16 |
| ISD.GL0.A018.018 | Inslagdop voor ronde buis (uitwendig) Ø18 mm, wanddikte 1-2 mm, zwart PE, type GL | 0,27 |
| ISD.GL0.A020.020 | Inslagdop voor ronde buis (uitwendig) Ø20 mm, wanddikte 1-2 mm, zwart PE, type GL | 0,30 |
| ISD.GL0.A022.022 | Inslagdop voor ronde buis (uitwendig) Ø22 mm, wanddikte 1-2 mm, zwart PE, type GL | 0,24 |
| ISD.GL0.B022.022 | Inslagdop voor ronde buis (uitwendig) Ø22 mm, wanddikte 3 mm, zwart PE, type GL | 0,30 |
| ISD.GL0.A025.025 | Inslagdop voor ronde buis (uitwendig) Ø25 mm, wanddikte 1-2 mm, zwart PE, type GL | 0,39 |
| ISD.GL0.B025.025 | Inslagdop voor ronde buis (uitwendig) Ø25 mm, wanddikte 3 mm, zwart PE, type GL | 0,50 |
| ISD.GL0.A027.027 | Inslagdop voor ronde buis (uitwendig) Ø27 mm, wanddikte 1-2 mm, zwart PE, type GL | 0,29 |
| ISD.GL0.A028.028 | Inslagdop voor ronde buis (uitwendig) Ø28 mm, wanddikte 1-2 mm, zwart PE, type GL | 0,29 |
| ISD.GL0.A030.030 | Inslagdop voor ronde buis (uitwendig) Ø30 mm, wanddikte 1-2 mm, zwart PE, type GL | 0,30 |
| ISD.GL0.B030.030 | Inslagdop voor ronde buis (uitwendig) Ø30 mm, wanddikte 2½-4 mm, zwart PE, type GL | 0,39 |
| ISD.GL0.A032.032 | Inslagdop voor ronde buis (uitwendig) Ø32 mm, wanddikte 1-2 mm, zwart PE, type GL | 0,38 |
| ISD.GL0.A034.034 | Inslagdop voor ronde buis (uitwendig) Ø34 mm, wanddikte 1-2 mm, zwart PE, type GL | 0,41 |
| ISD.GL0.B034.034 | Inslagdop voor ronde buis (uitwendig) Ø34 mm, wanddikte 2½-4 mm, zwart PE, type GL | 0,85 |
| ISD.GL0.A035.035 | Inslagdop voor ronde buis (uitwendig) Ø35 mm, wanddikte 1-2 mm, zwart PE, type GL | 0,42 |
| ISD.GL0.A036.036 | Inslagdop voor ronde buis (uitwendig) Ø36 mm, wanddikte 1-2 mm, zwart PE, type GL | 0,42 |
| ISD.GL0.A038.038 | Inslagdop voor ronde buis (uitwendig) Ø38 mm, wanddikte 1-2 mm, zwart PE, type GL | 0,48 |
| ISD.GL0.A040.040 | Inslagdop voor ronde buis (uitwendig) Ø40 mm, wanddikte 1-2 mm, zwart PE, type GL | 0,54 |
| ISD.GL0.B050.050 | Inslagdop voor ronde buis (uitwendig) Ø50 mm, wanddikte 2½-4 mm, zwart PE, type GL | 0,99 |
| ISD.GL0.A060.060 | Inslagdop voor ronde buis (uitwendig) Ø60 mm, wanddikte 1½-2½ mm, zwart PE, type GL | 1,22 |



Bergh Special Products B.V.

T. 0031 314 359490

F. 0031 314 359240

info@berghspecialproducts.nl

www.rolstoelonderdelen.nl

| | | |
|------------------|--|------|
| ISD.GL0.A070.070 | Inslagdop voor ronde buis (uitwendig) Ø70 mm, wanddikte 2-4½ mm, zwart PE, type GL | 1,77 |
| ISD.GL0.B040.040 | Inslagdop voor ronde buis (uitwendig) Ø40 mm, wanddikte 2½-4 mm, zwart PE, type GL | 0,68 |



Type SFL



Inslagdoppen t.b.v. buizen met een binnendiameter groter dan 40 mm zijn op aanvraag leverbaar.

| | | |
|------------------|--|------|
| ISD.SFL.A010.010 | Inslagdop voor ronde buis (uitwendig) 10x10 mm, wanddikte 1-2 mm, zwart PE, type SFL | 0,12 |
| ISD.SFL.A012.012 | Inslagdop voor ronde buis (uitwendig) 12x12 mm, wanddikte 1-2 mm, zwart PE, type SFL | 0,12 |
| ISD.SFL.A013.013 | Inslagdop voor ronde buis (uitwendig) 13x13 mm, wanddikte 1-2 mm, zwart PE, type SFL | 0,12 |
| ISD.SFL.A014.014 | Inslagdop voor ronde buis (uitwendig) 14x14 mm, wanddikte 1-2 mm, zwart PE, type SFL | 0,12 |
| ISD.SFL.A015.015 | Inslagdop voor ronde buis (uitwendig) 15x15 mm, wanddikte 1-2 mm, zwart PE, type SFL | 0,14 |
| ISD.SFL.A016.016 | Inslagdop voor ronde buis (uitwendig) 16x16 mm, wanddikte 1-2 mm, zwart PE, type SFL | 0,16 |
| ISD.SFL.A018.018 | Inslagdop voor ronde buis (uitwendig) 18x18 mm, wanddikte 1-2 mm, zwart PE, type SFL | 0,16 |
| ISD.SFL.A019.019 | Inslagdop voor ronde buis (uitwendig) 19x19 mm, wanddikte 1-2 mm, zwart PE, type SFL | 0,19 |
| ISD.SFL.A020.020 | Inslagdop voor ronde buis (uitwendig) 20x20 mm, wanddikte 1-2 mm, zwart PE, type SFL | 0,19 |
| ISD.SFL.A021.021 | Inslagdop voor ronde buis (uitwendig) 21x21 mm, wanddikte 1-2 mm, zwart PE, type SFL | 0,24 |
| ISD.SFL.A022.022 | Inslagdop voor ronde buis (uitwendig) 22x22 mm, wanddikte 1-2 mm, zwart PE, type SFL | 0,24 |
| ISD.SFL.A024.024 | Inslagdop voor ronde buis (uitwendig) 24x24 mm, wanddikte 1-2 mm, zwart PE, type SFL | 0,28 |
| ISD.SFL.A025.025 | Inslagdop voor ronde buis (uitwendig) 25x25 mm, wanddikte 1-2 mm, zwart PE, type SFL | 0,28 |
| ISD.SFL.A026.026 | Inslagdop voor ronde buis (uitwendig) 26x26 mm, wanddikte 1-2 mm, zwart PE, type SFL | 0,28 |
| ISD.SFL.A028.028 | Inslagdop voor ronde buis (uitwendig) 28x28 mm, wanddikte 1-2 mm, zwart PE, type SFL | 0,33 |
| ISD.SFL.A030.030 | Inslagdop voor ronde buis (uitwendig) 30x30 mm, wanddikte 1-2 mm, zwart PE, type SFL | 0,30 |
| ISD.SFL.A032.032 | Inslagdop voor ronde buis (uitwendig) 32x32 mm, wanddikte 1-2 mm, zwart PE, type SFL | 0,38 |
| ISD.SFL.A034.034 | Inslagdop voor ronde buis (uitwendig) 34x34 mm, wanddikte 1-2 mm, zwart PE, type SFL | 0,41 |
| ISD.SFL.A035.035 | Inslagdop voor ronde buis (uitwendig) 35x35 mm, wanddikte 1-2 mm, zwart PE, type SFL | 0,42 |
| ISD.SFL.A038.038 | Inslagdop voor ronde buis (uitwendig) 38x38 mm, wanddikte 1-2 mm, zwart PE, type SFL | 0,48 |
| ISD.SFL.A040.040 | Inslagdop voor ronde buis (uitwendig) 40x40 mm, wanddikte 1-2 mm, zwart PE, type SFL | 0,54 |
| ISD.SFL.A045.045 | Inslagdop voor ronde buis (uitwendig) 45x45 mm, wanddikte 1-2 mm, zwart PE, type SFL | 0,98 |

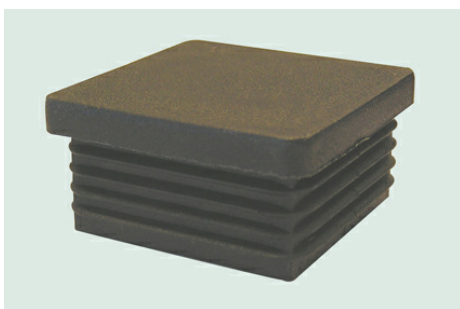


Type FO

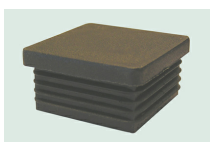
| | | |
|------------------|---|------|
| ISD.FO0.A020.010 | Inslagdop voor ovale buis (uitwendig) 20x10 mm, wanddikte 2 mm, zwart PE, type FO | 0,54 |
| ISD.FO0.A025.012 | Inslagdop voor ovale buis (uitwendig) 25x12 mm, wanddikte 2 mm, zwart PE, type FO | 0,54 |
| ISD.FO0.A030.015 | Inslagdop voor ovale buis (uitwendig) 30x15 mm, wanddikte 1½-2 mm, zwart PE, type FO | 0,47 |
| ISD.FO0.A035.015 | Inslagdop voor ovale buis (uitwendig) 35x15 mm, wanddikte 1½-2½ mm, zwart PE, type FO | 0,48 |
| ISD.FO0.A035.020 | Inslagdop voor ovale buis (uitwendig) 35x20 mm, wanddikte 1½-2 mm, zwart PE, type FO | 0,53 |
| ISD.FO0.A038.020 | Inslagdop voor ovale buis (uitwendig) 38x20 mm, wanddikte 1-3 mm, zwart PE, type FO | 0,61 |



| | | |
|------------------|--|------|
| ISD.FO0.A040.020 | Inslagdop voor ovale buis (uitwendig) 40x20 mm, wanddikte 2 mm, zwart PE, type FO | 0,64 |
| ISD.FO0.A048.020 | Inslagdop voor ovale buis (uitwendig) 48x20 mm, wanddikte 1½-2 mm, zwart PE, type FO | 0,83 |
| ISD.FO0.A050.020 | Inslagdop voor ovale buis (uitwendig) 50x20 mm, wanddikte 1-3 mm, zwart PE, type FO | 0,87 |
| ISD.FO0.A060.030 | Inslagdop voor ovale buis (uitwendig) 60x30 mm, wanddikte 2 mm, zwart PE, type FO | 1,29 |
| ISD.FO0.B030.015 | Inslagdop voor ovale buis (uitwendig) 30x15 mm, wanddikte 2½ mm, zwart PE, type FO | 0,47 |
| ISD.FO0.B040.020 | Inslagdop voor ovale buis (uitwendig) 40x20 mm, wanddikte 2½ mm, zwart PE, type FO | 0,64 |



Type LQ



Inslagdoppen t.b.v. buizen met een binnendiameter groter dan 40 mm zijn op aanvraag leverbaar.

| | | |
|------------------|---|------|
| ISD.LQ0.A010.010 | Inslagdop voor vierkante buis (uitwendig) 10x10 mm, wanddikte 1-2 mm, zwart PE, type LQ | 0,09 |
| ISD.LQ0.A012.012 | Inslagdop voor vierkante buis (uitwendig) 12x12 mm, wanddikte 1-2 mm, zwart PE, type LQ | 0,11 |
| ISD.LQ0.A013.013 | Inslagdop voor vierkante buis (uitwendig) 13x13 mm, wanddikte 1-2 mm, zwart PE, type LQ | 0,11 |
| ISD.LQ0.A015.015 | Inslagdop voor vierkante buis (uitwendig) 15x15 mm, wanddikte 1-2 mm, zwart PE, type LQ | 0,11 |
| ISD.LQ0.A016.016 | Inslagdop voor vierkante buis (uitwendig) 16x16 mm, wanddikte 1-2 mm, zwart PE, type LQ | 0,12 |
| ISD.LQ0.A018.018 | Inslagdop voor vierkante buis (uitwendig) 18x18 mm, wanddikte 1-2 mm, zwart PE, type LQ | 0,13 |
| ISD.LQ0.A020.020 | Inslagdop voor vierkante buis (uitwendig) 20x20 mm, wanddikte 1-2 mm, zwart PE, type LQ | 0,11 |
| ISD.LQ0.A022.022 | Inslagdop voor vierkante buis (uitwendig) 22x22 mm, wanddikte 1-2 mm, zwart PE, type LQ | 0,15 |
| ISD.LQ0.A025.025 | Inslagdop voor vierkante buis (uitwendig) 25x25 mm, wanddikte 1-2 mm, zwart PE, type LQ | 0,12 |
| ISD.LQ0.A027.027 | Inslagdop voor vierkante buis (uitwendig) 27x27 mm, wanddikte 1-2 mm, zwart PE, type LQ | 0,24 |
| ISD.LQ0.A028.028 | Inslagdop voor vierkante buis (uitwendig) 28x28 mm, wanddikte 1-2 mm, zwart PE, type LQ | 0,24 |
| ISD.LQ0.A030.030 | Inslagdop voor vierkante buis (uitwendig) 30x30 mm, wanddikte 1-2 mm, zwart PE, type LQ | 0,17 |
| ISD.LQ0.A032.032 | Inslagdop voor vierkante buis (uitwendig) 32x32 mm, wanddikte 2-2½ mm, zwart PE, type LQ | 0,23 |
| ISD.LQ0.A034.034 | Inslagdop voor vierkante buis (uitwendig) 34x34 mm, wanddikte 1-2 mm, zwart PE, type LQ | 0,29 |
| ISD.LQ0.A035.035 | Inslagdop voor vierkante buis (uitwendig) 35x35 mm, wanddikte 1-2 mm, zwart PE, type LQ | 0,35 |
| ISD.LQ0.A040.040 | Inslagdop voor vierkante buis (uitwendig) 40x40 mm, wanddikte 1-2 mm, zwart PE, type LQ | 0,42 |
| ISD.LQ0.A045.045 | Inslagdop voor vierkante buis (uitwendig) 45x45 mm, wanddikte 1-2 mm, zwart PE, type LQ | 0,57 |
| ISD.LQ0.A050.050 | Inslagdop voor vierkante buis (uitwendig) 50x50 mm, wanddikte 1-4 mm, zwart PE, type LQ | 0,67 |
| ISD.LQ0.A080.080 | Inslagdop voor vierkante buis (uitwendig) 80x80 mm, wanddikte 3-4 mm, zwart PE, type LQ | 3,46 |
| ISD.LQ0.B080.080 | Inslagdop voor vierkante buis (uitwendig) 80x80 mm, wanddikte 5 mm, zwart PE, type LQ | 3,46 |
| ISD.LQ0.A060.060 | Inslagdop voor vierkante buis (uitwendig) 60x60 mm, wanddikte 1½-2 mm, zwart PE, type LQ | 1,29 |
| ISD.LQ0.B025.025 | Inslagdop voor vierkante buis (uitwendig) 25x25 mm, wanddikte 3 mm, zwart PE, type LQ | 0,12 |
| ISD.LQ0.B030.030 | Inslagdop voor vierkante buis (uitwendig) 30x30 mm, wanddikte 2½-4½ mm, zwart PE, type LQ | 0,21 |
| ISD.LQ0.B035.035 | Inslagdop voor vierkante buis (uitwendig) 35x35 mm, wanddikte 3 mm, zwart PE, type LQ | 0,35 |
| ISD.LQ0.B040.040 | Inslagdop voor vierkante buis (uitwendig) 40x40 mm, wanddikte 1-4 mm, zwart PE, type LQ | 0,42 |
| ISD.LQ0.B050.050 | Inslagdop voor vierkante buis (uitwendig) 50x50 mm, wanddikte 2,6-5 mm, zwart PE, type LQ | 2,25 |
| ISD.LQ0.C040.040 | Inslagdop voor vierkante buis (uitwendig) 40x40 mm, wanddikte 3 mm, zwart PE, type LQ | 0,70 |
| ISD.LQ0.C050.050 | Inslagdop voor vierkante buis (uitwendig) 50x50 mm, wanddikte 5 mm, zwart PE, type LQ | 1,39 |
| ISD.LQ0.D040.040 | Inslagdop voor vierkante buis (uitwendig) 40x40 mm, wanddikte 4 mm, zwart PE, type LQ | 0,70 |
| ISD.LQ0.E040.040 | Inslagdop voor vierkante buis (uitwendig) 40x40 mm, wanddikte 5 mm, zwart PE, type LQ | 0,70 |



Bergh Special Products B.V.

T. 0031 314 359490

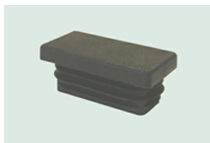
F. 0031 314 359240

info@berghspecialproducts.nl

www.rolstoelonderdelen.nl



Type LR



Inslagdoppen t.b.v. buizen met een binnendiameter groter dan 40 mm zijn op aanvraag leverbaar.

| | | |
|------------------|--|------|
| ISD.LR0.A020.010 | Inslagdop voor rechthoekige buis (uitwendig) 20x10 mm, wanddikte 1-2 mm, zwart PE, type LR | 0,12 |
| ISD.LR0.A020.015 | Inslagdop voor rechthoekige buis (uitwendig) 20x15 mm, wanddikte 1-2 mm, zwart PE, type LR | 0,09 |
| ISD.LR0.A025.010 | Inslagdop voor rechthoekige buis (uitwendig) 25x10 mm, wanddikte 1-2 mm, zwart PE, type LR | 0,13 |
| ISD.LR0.A025.012 | Inslagdop voor rechthoekige buis (uitwendig) 25x12 mm, wanddikte 1-2 mm, zwart PE, type LR | 0,13 |
| ISD.LR0.A025.015 | Inslagdop voor rechthoekige buis (uitwendig) 25x15 mm, wanddikte 1-2 mm, zwart PE, type LR | 0,16 |
| ISD.LR0.A025.020 | Inslagdop voor rechthoekige buis (uitwendig) 25x20 mm, wanddikte 1-2 mm, zwart PE, type LR | 0,16 |
| ISD.LR0.A030.010 | Inslagdop voor rechthoekige buis (uitwendig) 30x10 mm, wanddikte 1-2 mm, zwart PE, type LR | 0,17 |
| ISD.LR0.A030.015 | Inslagdop voor rechthoekige buis (uitwendig) 30x15 mm, wanddikte 1-2 mm, zwart PE, type LR | 0,16 |
| ISD.LR0.A030.020 | Inslagdop voor rechthoekige buis (uitwendig) 30x20 mm, wanddikte 1-2 mm, zwart PE, type LR | 0,15 |
| ISD.LR0.A030.025 | Inslagdop voor rechthoekige buis (uitwendig) 30x25 mm, wanddikte 1-2 mm, zwart PE, type LR | 0,18 |
| ISD.LR0.A035.010 | Inslagdop voor rechthoekige buis (uitwendig) 35x10 mm, wanddikte 1-2 mm, zwart PE, type LR | 0,57 |
| ISD.LR0.A035.015 | Inslagdop voor rechthoekige buis (uitwendig) 35x15 mm, wanddikte 1-2 mm, zwart PE, type LR | 0,76 |
| ISD.LR0.A035.020 | Inslagdop voor rechthoekige buis (uitwendig) 35x20 mm, wanddikte 1-2 mm, zwart PE, type LR | 0,42 |
| ISD.LR0.A035.025 | Inslagdop voor rechthoekige buis (uitwendig) 35x25 mm, wanddikte 1-2 mm, zwart PE, type LR | 0,47 |
| ISD.LR0.A035.030 | Inslagdop voor rechthoekige buis (uitwendig) 35x30 mm, wanddikte 1-2 mm, zwart PE, type LR | 0,74 |
| ISD.LR0.A040.010 | Inslagdop voor rechthoekige buis (uitwendig) 40x10 mm, wanddikte 1-2 mm, zwart PE, type LR | 0,41 |
| ISD.LR0.A040.015 | Inslagdop voor rechthoekige buis (uitwendig) 40x15 mm, wanddikte 1-2 mm, zwart PE, type LR | 0,27 |
| ISD.LR0.A040.020 | Inslagdop voor rechthoekige buis (uitwendig) 40x20 mm, wanddikte 1-2 mm, zwart PE, type LR | 0,18 |
| ISD.LR0.A040.025 | Inslagdop voor rechthoekige buis (uitwendig) 40x25 mm, wanddikte 1-2 mm, zwart PE, type LR | 0,56 |
| ISD.LR0.A040.030 | Inslagdop voor rechthoekige buis (uitwendig) 40x30 mm, wanddikte 1-2 mm, zwart PE, type LR | 0,33 |
| ISD.LR0.B030.020 | Inslagdop voor rechthoekige buis (uitwendig) 30x20 mm, wanddikte 3 mm, zwart PE, type LR | 0,15 |
| ISD.LR0.B040.020 | Inslagdop voor rechthoekige buis (uitwendig) 40x20 mm, wanddikte 3 mm, zwart PE, type LR | 0,41 |
| ISD.LR0.B040.030 | Inslagdop voor rechthoekige buis (uitwendig) 40x30 mm, wanddikte 3 mm, zwart PE, type LR | 0,33 |
| ISD.LR0.A050.020 | Inslagdop voor rechthoekige buis (uitwendig) 50x20 mm, wanddikte 1-2 mm, zwart PE, type LR | 0,35 |
| ISD.LR0.A060.030 | Inslagdop voor rechthoekige buis (uitwendig) 60x30 mm, wanddikte 1-2 mm, zwart PE, type LR | 0,69 |
| ISD.LR0.B050.030 | Inslagdop voor rechthoekige buis (uitwendig) 50x30 mm, wanddikte 1,0-2,0 mm, zwart PE, type LR | 0,43 |



Bergh Special Products B.V.

T. 0031 314 359490

F. 0031 314 359240

info@berghspecialproducts.nl

www.rolstoelonderdelen.nl

Type CGF met schroefdraad



| | | |
|------------------|---|------|
| ISD.CGF.20.20.08 | Inslagdop met schroefdraad M8, voor vierkante buis (inwendig) 20x20 mm, wanddikte 2 mm, zwart PE | 2,84 |
| ISD.CGF.25.25.08 | Inslagdop met schroefdraad M8, voor vierkante buis (inwendig) 25x25 mm, wanddikte 2 mm, zwart PE | 2,42 |
| ISD.CGF.25.25.10 | Inslagdop met schroefdraad M10, voor vierkante buis (inwendig) 25x25 mm, wanddikte 2 mm, zwart PE | 2,66 |
| ISD.CGF.30.20.08 | Inslagdop met schroefdraad M8, voor vierkante buis (inwendig) 30x20 mm, wanddikte 2 mm, zwart PE | 2,46 |
| ISD.CGF.30.30.08 | Inslagdop met schroefdraad M8, voor vierkante buis (inwendig) 30x30 mm, wanddikte 2 mm, zwart PE | 2,99 |
| ISD.CGF.30.30.10 | Inslagdop met schroefdraad M10, voor vierkante buis (inwendig) 30x30 mm, wanddikte 2 mm, zwart PE | 3,28 |

8.1400 Omdoppen



Omdoppen, rond



Omdoppen t.b.v. buizen met een buitendiameter groter dan 40 mm zijn op aanvraag leverbaar.

| | | |
|------------------|--|------|
| OMD.K00.A006.006 | Omdop, type K, voor ronde buis (uitwendig) Ø6 mm, hoogte 13,0 mm, zwart PVC | 0,15 |
| OMD.K00.A008.008 | Omdop, type K, voor ronde buis (uitwendig) Ø8 mm, hoogte 15,3 mm, zwart PVC | 0,19 |
| OMD.K00.A010.011 | Omdop, type K, voor ronde buis (uitwendig) Ø210-11 mm, hoogte 16,8 mm, zwart PVC | 0,20 |
| OMD.K00.A012.013 | Omdop, type K, voor ronde buis (uitwendig) Ø12-13 mm, hoogte 18,8 mm, zwart PVC | 0,23 |
| OMD.K00.A013.013 | Omdop, type K, voor ronde buis (uitwendig) Ø13 mm, hoogte 19,5 mm, zwart PVC | 0,24 |
| OMD.K00.A014.014 | Omdop, type K, voor ronde buis (uitwendig) Ø14 mm, hoogte 21,5 mm, zwart PVC | 0,27 |
| OMD.K00.A015.015 | Omdop, type K, voor ronde buis (uitwendig) Ø15 mm, hoogte 21,4 mm, zwart PVC | 0,30 |
| OMD.K00.A016.017 | Omdop, type K, voor ronde buis (uitwendig) Ø16-17 mm, hoogte 26,0 mm, zwart PVC | 0,33 |
| OMD.K00.A018.018 | Omdop, type K, voor ronde buis (uitwendig) Ø18 mm, hoogte 26,0 mm, zwart PVC | 0,34 |
| OMD.K00.A019.019 | Omdop, type K, voor ronde buis (uitwendig) Ø19 mm, hoogte 26,0 mm, zwart PVC | 0,41 |
| OMD.K00.A020.020 | Omdop, type K, voor ronde buis (uitwendig) Ø20 mm, hoogte 26,5 mm, zwart PVC | 0,50 |
| OMD.K00.A021.021 | Omdop, type K, voor ronde buis (uitwendig) Ø21-21 mm, hoogte 26,5 mm, zwart PVC | 0,44 |
| OMD.K00.A022.023 | Omdop, type K, voor ronde buis (uitwendig) Ø22-23 mm, hoogte 28,4 mm, zwart PVC | 0,44 |
| OMD.K00.A024.024 | Omdop, type K, voor ronde buis (uitwendig) Ø24 mm, hoogte 31,0 mm, zwart PVC | 0,60 |
| OMD.K00.A025.026 | Omdop, type K, voor ronde buis (uitwendig) Ø25-26 mm, hoogte 31,0 mm, zwart PVC | 0,60 |
| OMD.K00.A027.027 | Omdop, type K, voor ronde buis (uitwendig) Ø27 mm, hoogte 31,5 mm, zwart PVC | 0,74 |
| OMD.K00.A028.029 | Omdop, type K, voor ronde buis (uitwendig) Ø28-29 mm, hoogte 30,0 mm, zwart PVC | 0,78 |
| OMD.K00.A030.031 | Omdop, type K, voor ronde buis (uitwendig) Ø30-31 mm, hoogte 31,0 mm, zwart PVC | 0,80 |
| OMD.K00.A032.033 | Omdop, type K, voor ronde buis (uitwendig) Ø32-33 mm, hoogte 31,0 mm, zwart PVC | 0,81 |
| OMD.K00.A034.035 | Omdop, type K, voor ronde buis (uitwendig) Ø34-35 mm, hoogte 31,5 mm, zwart PVC | 1,11 |
| OMD.K00.A035.036 | Omdop, type K, voor ronde buis (uitwendig) Ø35-36 mm, hoogte 31,0 mm, zwart PVC | 1,14 |



Bergh Special Products B.V.

T. 0031 314 359490

F. 0031 314 359240

info@berghspecialproducts.nl

www.rolstoelonderdelen.nl

| | | |
|------------------|---|------|
| OMD.K00.A038.039 | Omdop, type K, voor ronde buis (uitwendig) Ø38-39 mm, hoogte 33,0 mm, zwart PVC | 1,33 |
| OMD.K00.A040.041 | Omdop, type K, voor ronde buis (uitwendig) Ø40-41 mm, hoogte 32,5 mm, zwart PVC | 1,58 |
| OMD.K00.A049.051 | Omdop, type K, voor ronde buis (uitwendig) Ø49-51 mm, hoogte 33 mm, zwart PVC | 1,93 |

Omdoppen, vierkant



| | | |
|------------------|--|------|
| OMD.VK0.A020.020 | Omdop, type VK, voor vierkante buis (uitwendig) 20x20 mm, hoogte 24,5 mm, zwart PE | 0,53 |
| OMD.VK0.A025.025 | Omdop, type VK, voor vierkante buis (uitwendig) 25x25 mm, hoogte 27,8 mm, zwart PE | 0,68 |
| OMD.VK0.A030.015 | Omdop, type VK, voor vierkante buis (uitwendig) 30x15 mm, hoogte 24,4 mm, zwart PE | 1,50 |
| OMD.VK0.A030.030 | Omdop, type VK, voor vierkante buis (uitwendig) 30x30 mm, hoogte 28,5 mm, zwart PE | 0,96 |
| OMD.VK0.A040.020 | Omdop, type VK, voor vierkante buis (uitwendig) 40x20 mm, hoogte 28,0 mm, zwart PE | 1,21 |
| OMD.VK0.A040.025 | Omdop, type VK, voor vierkante buis (uitwendig) 40x25 mm, hoogte 53,4 mm, zwart PE | 2,03 |
| OMD.VK0.A040.030 | Omdop, type VK, voor vierkante buis (uitwendig) 40x30 mm, hoogte 53,6 mm, zwart PE | 2,12 |
| OMD.VK0.A040.040 | Omdop, type VK, voor vierkante buis (uitwendig) 40x40 mm, hoogte 28,0 mm, zwart PE | 1,58 |
| OMD.VK0.A045.045 | Omdop, type VK, voor vierkante buis (uitwendig) 45x45 mm, hoogte 52,9 mm, zwart PE | 2,23 |
| OMD.VK0.A050.050 | Omdop, type VK, voor vierkante buis (uitwendig) 50x50 mm, hoogte 28,5 mm, zwart PE | 2,03 |

Omdoppen t.b.v. 6-kant moer



| | | |
|------------------|---|------|
| OMD.SKS.M04.07.0 | Omdop, type SKS, t.b.v. 6-kant moer M4, sleutelbreedte 7 mm, zwart PE | 0,09 |
| OMD.SKS.M05.08.0 | Omdop, type SKS, t.b.v. 6-kant moer M5, sleutelbreedte 8 mm, zwart PE | 0,09 |
| OMD.SKS.M06.10.0 | Omdop, type SKS, t.b.v. 6-kant moer M6, sleutelbreedte 10 mm, zwart PE | 0,12 |
| OMD.SKS.M08.13.0 | Omdop, type SKS, t.b.v. 6-kant moer M8, sleutelbreedte 13 mm, zwart PE | 0,13 |
| OMD.SKS.M10.17.0 | Omdop, type SKS, t.b.v. 6-kant moer M10, sleutelbreedte 17 mm, zwart PE | 0,16 |
| OMD.SKS.M12.19.0 | Omdop, type SKS, t.b.v. 6-kant moer M12, sleutelbreedte 19 mm, zwart PE | 0,17 |
| OMD.SKS.M14.22.0 | Omdop, type SKS, t.b.v. 6-kant moer M14, sleutelbreedte 22 mm, zwart PE | 0,18 |
| OMD.SKS.M16.24.0 | Omdop, type SKS, t.b.v. 6-kant moer M16, sleutelbreedte 24 mm, zwart PE | 0,35 |
| OMD.SKS.M18.27.0 | Omdop, type SKS, t.b.v. 6-kant moer M18, sleutelbreedte 27 mm, zwart PE | 0,60 |
| OMD.SKS.M20.30.0 | Omdop, type SKS, t.b.v. 6-kant moer M20, sleutelbreedte 30 mm, zwart PE | 0,67 |
| OMD.SKS.M22.32.0 | Omdop, type SKS, t.b.v. 6-kant moer M22, sleutelbreedte 32 mm, zwart PE | 0,75 |
| OMD.SKS.M24.36.0 | Omdop, type SKS, t.b.v. 6-kant moer M24, sleutelbreedte 36 mm, zwart PE | 0,87 |
| OMD.SKS.M27.42.0 | Omdop, type SKS, t.b.v. 6-kant moer M27, sleutelbreedte 42 mm, zwart PE | 1,00 |

**Bergh Special Products B.V.**

T. 0031 314 359490

F. 0031 314 359240

info@berghspecialproducts.nl

www.rolstoelonderdelen.nl

| | | |
|------------------|---|------|
| OMD.SKS.M30.46.0 | Omdop, type SKS, t.b.v. 6-kant moer M30, sleutelbreedte 46 mm, zwart PE | 1,17 |
| OMD.SKS.M33.50.0 | Omdop, type SKS, t.b.v. 6-kant moer M33, sleutelbreedte 50 mm, zwart PE | 2,02 |
| OMD.SKS.M36.55.0 | Omdop, type SKS, t.b.v. 6-kant moer M36, sleutelbreedte 55 mm, zwart PE | 2,55 |
| OMD.SKS.M39.60.0 | Omdop, type SKS, t.b.v. 6-kant moer M39, sleutelbreedte 60 mm, zwart PE | 4,28 |
| OMD.SKS.M42.65.0 | Omdop, type SKS, t.b.v. 6-kant moer M42, sleutelbreedte 65 mm, zwart PE | 4,77 |
| OMD.SKS.M45.70.0 | Omdop, type SKS, t.b.v. 6-kant moer M45, sleutelbreedte 70 mm, zwart PE | 5,17 |



Bergh Special Products B.V.

T. 0031 314 359490

F. 0031 314 359240

info@berghspecialproducts.nl

www.rolstoelonderdelen.nl

8.1500 Karabijnhaken



| | | |
|----------------|--|------|
| A.KH.VZ.04.000 | Karabijnhaak, Ø4x40 mm, staal verzinkt | 0,96 |
| A.KH.VZ.05.000 | Karabijnhaak, Ø5x50 mm, staal verzinkt | 0,77 |
| A.KH.VZ.06.000 | Karabijnhaak, Ø6x60 mm, staal verzinkt | 0,92 |
| A.KH.VZ.08.000 | Karabijnhaak, Ø8x80 mm, staal verzinkt | 1,66 |

8.1600 Klemblokken (Stauffblokken)



Klemblokken (Stauffblokken) samac





Bergh Special Products B.V.

T. 0031 314 359490

F. 0031 314 359240

info@berghspecialproducts.nl

www.rolstoelonderdelen.nl



Klemblok samac zonder lasplaat

| | | |
|------------------|--|------|
| A.KLBL.S.016.000 | Klemblok (Stauff-blok) t.b.v. buis 16 mm, samac, exclusief lasplaat/montageplaat | 7,64 |
| A.KLBL.S.019.000 | Klemblok (Stauff-blok) t.b.v. buis 19 mm, samac, exclusief lasplaat/montageplaat | 7,64 |
| A.KLBL.S.022.000 | Klemblok (Stauff-blok) t.b.v. buis 22 mm, samac, exclusief lasplaat/montageplaat | 7,64 |
| A.KLBL.S.025.000 | Klemblok (Stauff-blok) t.b.v. buis 25 mm, samac, exclusief lasplaat/montageplaat | 7,64 |



Klemblok samac met lasplaat

| | | |
|------------------|--|------|
| A.KLBL.S.016.001 | Klemblok (Stauff-blok) t.b.v. buis 16 mm, samac, inclusief lasplaat/montageplaat | 9,58 |
| A.KLBL.S.019.001 | Klemblok (Stauff-blok) t.b.v. buis 19 mm, samac, inclusief lasplaat/montageplaat | 9,58 |
| A.KLBL.S.022.001 | Klemblok (Stauff-blok) t.b.v. buis 22 mm, samac, inclusief lasplaat/montageplaat | 9,58 |
| A.KLBL.S.025.001 | Klemblok (Stauff-blok) t.b.v. buis 25 mm, samac, inclusief lasplaat/montageplaat | 9,58 |



Bergh Special Products B.V.

T. 0031 314 359490

F. 0031 314 359240

info@berghspecialproducts.nl

www.rolstoelonderdelen.nl

Klemblokken (Stauffblokken) kunststof



Klemblok kunststof zonder lasplaat

| | | |
|------------------|--|------|
| A.KLBL.K.016.000 | Klemblok (Stauff-blok) t.b.v. buis 16 mm, zwart kunststof, exclusief lasplaat/montageplaat | 3,82 |
| A.KLBL.K.019.000 | Klemblok (Stauff-blok) t.b.v. buis 19 mm, zwart kunststof, exclusief lasplaat/montageplaat | 3,82 |
| A.KLBL.K.022.000 | Klemblok (Stauff-blok) t.b.v. buis 22 mm, zwart kunststof, exclusief lasplaat/montageplaat | 3,65 |
| A.KLBL.K.025.000 | Klemblok (Stauff-blok) t.b.v. buis 25 mm, zwart kunststof, exclusief lasplaat/montageplaat | 3,65 |



Klemblok kunststof met lasplaat

| | | |
|------------------|--|------|
| A.KLBL.K.016.001 | Klemblok (Stauff-blok) t.b.v. buis 16 mm, zwart kunststof, inclusief lasplaat/montageplaat | 5,80 |
| A.KLBL.K.019.001 | Klemblok (Stauff-blok) t.b.v. buis 19 mm, zwart kunststof, inclusief lasplaat/montageplaat | 5,83 |
| A.KLBL.K.022.001 | Klemblok (Stauff-blok) t.b.v. buis 22 mm, zwart kunststof, inclusief lasplaat/montageplaat | 5,68 |
| A.KLBL.K.025.001 | Klemblok (Stauff-blok) t.b.v. buis 25 mm, zwart kunststof, inclusief lasplaat/montageplaat | 5,68 |



Bergh Special Products B.V.

T. 0031 314 359490

F. 0031 314 359240

info@berghspecialproducts.nl

www.rolstoelonderdelen.nl

Lasplaat t.b.v. klemblok



| | | |
|------------------|--|------|
| A.KLBL.LP.SP2.00 | Lasplaat/montageplaat, staal, t.b.v. klemblok (Stauff-blok) Ø16 mm en Ø19 mm, type SP2, 42x30x3 mm | 1,93 |
| A.KLBL.LP.SP3.00 | Lasplaat/montageplaat, staal, t.b.v. klemblok (Stauff-blok) Ø22 mm en Ø25 mm, type SP3, 50x30x3 mm | 2,02 |



8.1700 Knikscharnieren

Bergh Special Products B.V.

T. 0031 314 359490

F. 0031 314 359240

info@berghspecialproducts.nl

www.rolstoelonderdelen.nl

| | | |
|---------------|--|-------|
| A.HVKZ.020.01 | Hoogteversteller/knikscharnier voor buis uitwendig Ø20 mm, zwart kunststof | 12,35 |
| A.HVKZ.020.02 | Hoogteversteller/knikscharnier voor buis uitwendig Ø20 mm, zwart kunststof met bevestiging | 12,35 |